



SL-156

TE Internal #: 1-1744158-8

Rectangular Connector Housings, Wire-to-Board, 18 Position, .156 in [3.96 mm] Centerline, 1 Row, Nylon, Receptacle, Socket, SL-156

[View on TE.com >](#)

Connectors > Rectangular Connectors > Rectangular Connector Housings > Connector Housing, Rectangular, 3.96 mm, 1 Row



Connector System: **Wire-to-Board**

Number of Positions: **18**

Centerline (Pitch): **3.96 mm [ .156 in ]**

Number of Rows: **1**

Housing Material: **Nylon**

[All Connector Housing, Rectangular, 3.96 mm, 1 Row \(10\)](#)

## Features

### Product Type Features

Connector System	Wire-to-Board
Connector & Housing Type	Receptacle
Sealable	No
Connector & Contact Terminates To	Printed Circuit Board

### Configuration Features

Number of Positions	18
Number of Rows	1

### Electrical Characteristics

Operating Voltage	250 VAC
-------------------	---------

### Contact Features

Contact Type	Socket
--------------	--------

### Mechanical Attachment

Connector Mounting Type	Cable Mount (Free-Hanging)
-------------------------	----------------------------



### Housing Features

Housing Color	Natural
Centerline (Pitch)	3.96 mm [.156 in]
Housing Material	Nylon

### Usage Conditions

Operating Temperature Range	-55 – 105 °C [-67 – 221 °F]
-----------------------------	-----------------------------

### Operation/Application

Halogen Free	No
Circuit Application	Power & Signal

### Identification Marking

Circuit Identification Feature	Without
--------------------------------	---------

### Industry Standards

Compatible With Approved Standards Products	UL E28476
---	-----------

### Packaging Features

Packaging Quantity	500
Packaging Method	Package

### Product Compliance

[For compliance documentation, visit the product page on TE.com>](#)

EU RoHS Directive 2011/65/EU	Compliant
EU ELV Directive 2000/53/EC	Compliant
China RoHS 2 Directive MIIT Order No 32, 2016	No Restricted Materials Above Threshold
EU REACH Regulation (EC) No. 1907/2006	Current ECHA Candidate List: JUNE 2024 (241) Candidate List Declared Against: JAN 2024 (240) Does not contain REACH SVHC
Halogen Content	Low Halogen - Br, Cl, F, I < 900 ppm per homogenous material. Also BFR/CFR/PVC Free
Solder Process Capability	Not applicable for solder process capability

#### Product Compliance Disclaimer

This information is provided based on reasonable inquiry of our suppliers and represents our current actual knowledge based on the information they provided. This information is subject to change. The part numbers that TE has identified as

EU RoHS compliant have a maximum concentration of 0.1% by weight in homogenous materials for lead, hexavalent chromium, mercury, PBB, PBDE, DBP, BBP, DEHP, DIBP, and 0.01% for cadmium, or qualify for an exemption to these limits as defined in the Annexes of Directive 2011/65/EU (RoHS2). Finished electrical and electronic equipment products will be CE marked as required by Directive 2011/65/EU. Components may not be CE marked. Additionally, the part numbers that TE has identified as EU ELV compliant have a maximum concentration of 0.1% by weight in homogenous materials for lead, hexavalent chromium, and mercury, and 0.01% for cadmium, or qualify for an exemption to these limits as defined in the Annexes of Directive 2000/53/EC (ELV). Regarding the REACH Regulation, the information TE provides on SVHC in articles for this part number is based on the latest European Chemicals Agency (ECHA) 'Guidance on requirements for substances in articles' posted at this URL: <https://echa.europa.eu/guidance-documents/guidance-on-reach>

## Compatible Parts



TE Part # CAT-103156-RECHS  
Connector Housing, Rectangular, 3.96 mm, 1 Row



TE Part # 1-643067-8  
18P MTA156 MOLDED COVER



TE Part # 1-640551-8  
18P MTA156 COVER



TE Part # 1-640643-8  
18P MTA156 COVER F/T




TE Part # 1-643071-8  
18P MTA156 FD-THRU COVER



TE Part # 640254-2  
KEYING PLUG .045 SQ PST CONN BLK


## Also in the Series | SL-156




Connector Contacts(23)




Connector Hardware(4)



Insertion & Extraction Tools(1)

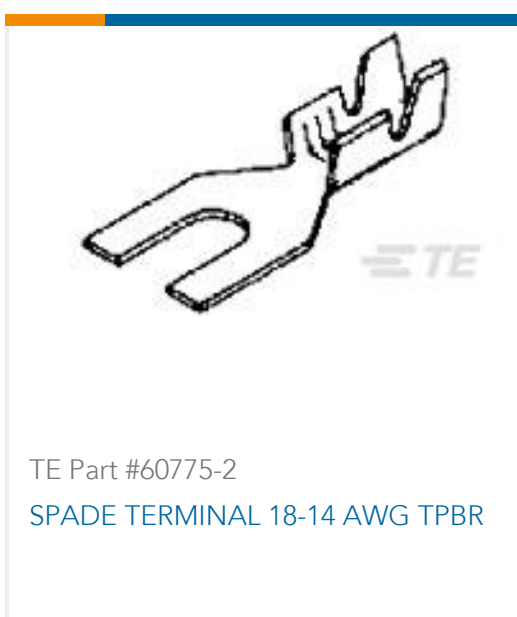


Rectangular Connector Housings(10)



Wire-to-Board Connector Assemblies & Housings(140)

## Customers Also Bought



## Documents

### Product Drawings

[18P SL156 HSG W/O LCK RAMP SPL MARK](#)

English

### CAD Files

[3D PDF](#)

3D

Customer View Model

[ENG\\_CVM\\_CVM\\_1-1744158-8\\_B.2d\\_dxf.zip](#)

English

Customer View Model

[ENG\\_CVM\\_CVM\\_1-1744158-8\\_B.3d\\_igs.zip](#)

English

Customer View Model

[ENG\\_CVM\\_CVM\\_1-1744158-8\\_B.3d\\_stp.zip](#)

English

By downloading the CAD file I accept and agree to the [Terms and Conditions](#) of use.



**Product Specifications**

[Application Specification](#)

English

---

**Agency Approvals**

[UL Report](#)

English