

1-1703963-1 ✓ ACTIVE



TE Internal #: 1-1703963-1

Housing for Female Terminals, Wire-to-Wire, 16 Position, 4 mm [.157 in] Centerline, Sealable, Black, Wire & Cable, Power, Cable Mount (Free-Hanging)

[View on TE.com >](#)

Connectors > Automotive Connectors > Automotive Housings



Connector System: **Wire-to-Wire**

Number of Positions: **16**

Connector & Housing Type: **Housing for Female Terminals**

Centerline (Pitch): **4 mm [.157 in]**

Sealable: **Yes**

Features

Product Type Features

Mixed & Hybrid Connector	No
Connector Shape	Circular
Connector System	Wire-to-Wire
Connector & Housing Type	Housing for Female Terminals
Sealable	Yes
Connector & Contact Terminates To	Wire & Cable
Primary Locking Feature	Integrated in Housing

Configuration Features

Number of Positions	16
Number of Rows	5

Electrical Characteristics

Operating Voltage	36 VDC
-------------------	--------

Body Features

Primary Product Color	Black
-----------------------	-------



Contact Features

Contact Size	1.5K
Contact Type	Receptacle
Mating Tab Width	1.5 mm[.06 in]
Contact Current Rating (Max)	20 A

Mechanical Attachment

Mating Alignment Type	Polarizing Slot
Mating Alignment	With
Connector Mounting Type	Cable Mount (Free-Hanging)

Housing Features

Centerline (Pitch)	4 mm[.157 in]
--------------------	---------------

Usage Conditions

Operating Temperature (Max)	130 °C[266 °F]
Operating Temperature Range	-40 – 130 °C[-40 – 266 °F]

Operation/Application

Circuit Application	Power
---------------------	-------

Packaging Features

Packaging Quantity	504
Packaging Method	Box

Other

Connector Position Assurance Capable	No
--------------------------------------	----

Product Compliance

[For compliance documentation, visit the product page on TE.com>](#)

EU RoHS Directive 2011/65/EU	Compliant
EU ELV Directive 2000/53/EC	Compliant
China RoHS 2 Directive MIIT Order No 32, 2016	No Restricted Materials Above Threshold
EU REACH Regulation (EC) No. 1907/2006	Current ECHA Candidate List: JUNE 2024 (241) Candidate List Declared Against: JUNE 2024 (241) Does not contain REACH SVHC
Halogen Content	BFR/CFR/PVC Free, but Br/Cl >900 ppm in other sources.

Solder Process Capability

Not applicable for solder process capability

Product Compliance Disclaimer

This information is provided based on reasonable inquiry of our suppliers and represents our current actual knowledge based on the information they provided. This information is subject to change. The part numbers that TE has identified as EU RoHS compliant have a maximum concentration of 0.1% by weight in homogenous materials for lead, hexavalent chromium, mercury, PBB, PBDE, DBP, BBP, DEHP, DIBP, and 0.01% for cadmium, or qualify for an exemption to these limits as defined in the Annexes of Directive 2011/65/EU (RoHS2). Finished electrical and electronic equipment products will be CE marked as required by Directive 2011/65/EU. Components may not be CE marked. Additionally, the part numbers that TE has identified as EU ELV compliant have a maximum concentration of 0.1% by weight in homogenous materials for lead, hexavalent chromium, and mercury, and 0.01% for cadmium, or qualify for an exemption to these limits as defined in the Annexes of Directive 2000/53/EC (ELV). Regarding the REACH Regulation, the information TE provides on SVHC in articles for this part number is based on the latest European Chemicals Agency (ECHA) 'Guidance on requirements for substances in articles' posted at this URL: <https://echa.europa.eu/guidance-documents/guidance-on-reach>

Compatible Parts



TE Part # 1-1718284-2
ADAPTER 90°FOR 10-14POS. SOCKE



TE Part # 1813505-1
Straight cover for 14P socket housing



TE Part # 1823735-1
COVER,90DEG

Customers Also Bought



TE Part #964408-1
Timer Connector Housing



TE Part #5-968974-1
AMP Unsealed Connector Housing



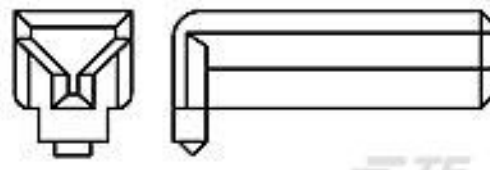
TE Part #1241608-6
MQS, RECEPTACLE AND TAB



TE Part #4-2112162-1
21POS,TAB2.8X0.8,TABHSG,CODE D, ASSY,SLD



TE Part #1-1718284-2
ADAPTER 90°FOR 10-14POS. SOCKE



TE Part #965657-1
KONTAKTSICHERUNG



TE Part #215599-1
04P.CI-2 SOCKET HSG

Documents

Product Drawings

16POS,AMP MCP1.5K,REC HSG,ASSY,SEALED



English

CAD Files

3D PDF

3D

Customer View Model

[ENG_CVM_CVM_1-1703963-1_A_c-1-1703963-1-a.2d_dxf.zip](#)

English

Customer View Model

[ENG_CVM_CVM_1-1703963-1_A_c-1-1703963-1-a.3d_igs.zip](#)

English

Customer View Model

[ENG_CVM_CVM_1-1703963-1_A_c-1-1703963-1-a.3d_stp.zip](#)

English

By downloading the CAD file I accept and agree to the [Terms and Conditions](#) of use.

Product Specifications

Engineering Specification

English