

1-1634002-0 ✓ ACTIVE

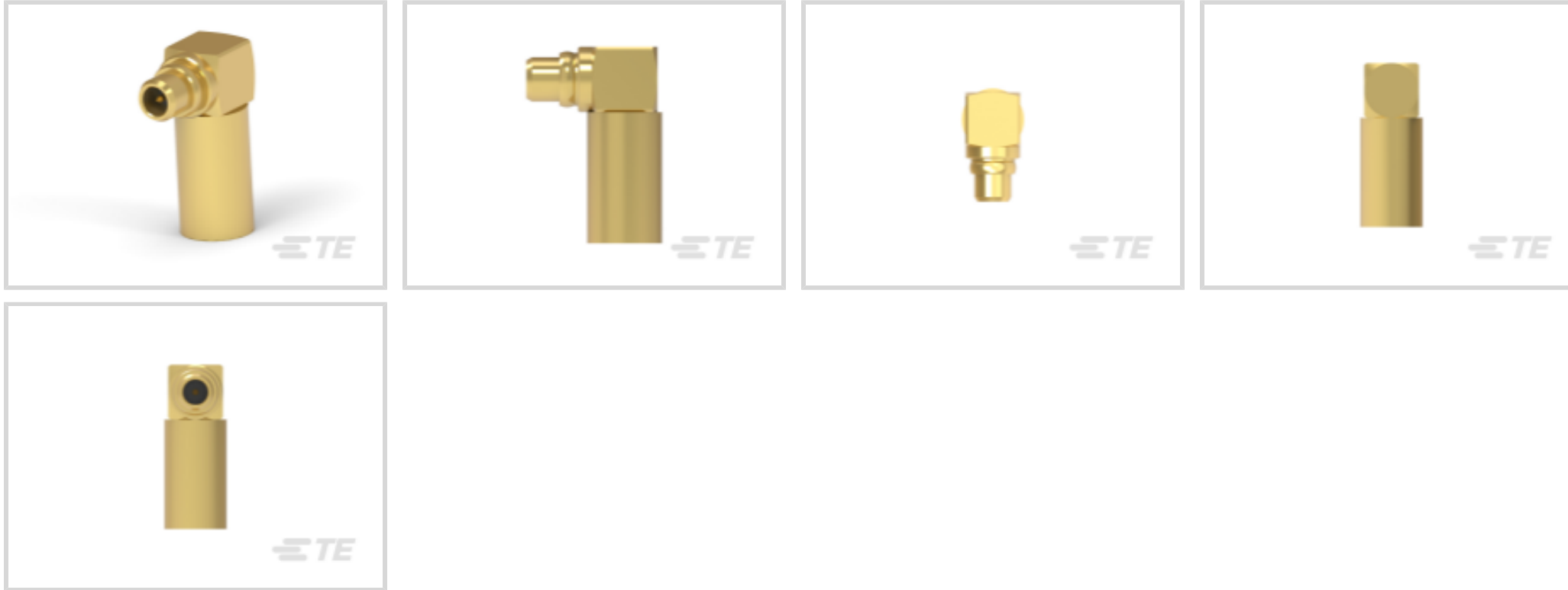


TE Internal #: 1-1634002-0

MMCX RF Interface, Plug, 50 Ω , Raychem 5026A1631 / Raychem 5026A1331 / Raychem 5026A1318, Snap-On, 6 GHz Operating Frequency, Cable-to-Cable

[View on TE.com >](#)

Connectors > RF Connectors > Coax Connectors



RF Interface: **MMCX**

RF Connector Style: **Plug**

Impedance: **50 Ω**

Compatible With RF Cable Type: **Raychem 5026A1318, Raychem 5026A1331, Raychem 5026A1631, Raychem 5026C1309, Raychem 5026D1028, Raychem 5026D1424, Raychem CLFH-178, Raychem EPD 26995Q, RG 174, RG 188 A/U, RG 316/U, URM95**

RF Connector Coupling Mechanism: **Snap-On**

Features

Product Type Features

Connector Shape	Circular
RF Interface	MMCX
RF Connector Style	Plug
Compatible With RF Cable Type	Raychem 5026A1318, Raychem 5026A1331, Raychem 5026A1631, Raychem 5026C1309, Raychem 5026D1028, Raychem 5026D1424, Raychem CLFH-178, Raychem EPD 26995Q, RG 174, RG 188 A/U, RG 316/U, URM95
Connector System	Cable-to-Cable
Sealable	No
Connector & Contact Terminates To	Wire & Cable

Configuration Features

Number of Positions	1
Number of Coaxial Contacts	1

Electrical Characteristics



Impedance	50 Ω
-----------	-------------

Body Features

Cable Connector Orientation	Right Angle
-----------------------------	-------------

Body Material	Brass
---------------	-------

Body Material Finish	Plated
----------------------	--------

Body Plating Material	Gold
-----------------------	------

Contact Features

RF Connector Center Contact Underplating Material	Copper
---	--------

Crimp Type	Hex
------------	-----

RF Connector Center Contact Plating Material	Gold
--	------

RF Connector Center Contact Material	Brass
--------------------------------------	-------

Termination Features

Termination Method to Wire & Cable	Solder & Clamp
------------------------------------	----------------

Mechanical Attachment

RF Connector Coupling Mechanism	Snap-On
---------------------------------	---------

RF Contact Captivation Method	Solder
-------------------------------	--------

Detent	Without
--------	---------

Usage Conditions

Operating Temperature Range	-55 – 155 $^{\circ}\text{C}$ [-67 – 311 $^{\circ}\text{F}$]
-----------------------------	--

Operation/Application

Operating Frequency	6 GHz
---------------------	-------

Packaging Features

Packaging Quantity	50
--------------------	----

Packaging Method	Individual
------------------	------------

Other

Grade	Professional
-------	--------------

Dielectric Material	PTFE
---------------------	------

Product Compliance

[For compliance documentation, visit the product page on TE.com>](#)

EU RoHS Directive 2011/65/EU	Compliant with Exemptions
------------------------------	---------------------------



EU ELV Directive 2000/53/EC

Compliant with Exemptions

China RoHS 2 Directive MIIT Order No 32, 2016

Restricted Materials Above Threshold

EU REACH Regulation (EC) No. 1907/2006

Current ECHA Candidate List: JUNE 2023 (235)

Candidate List Declared Against: JUNE 2023 (235)

SVHC > Threshold:

Pb (4% in Component Part)

Article Safe Usage Statements:

Do not eat, drink or smoke when using this product. Wash thoroughly after handling. Recycle if possible and dispose of the article by following all applicable governmental regulations relevant to your geographic location.

Halogen Content

Low Halogen - Br, Cl, F, I < 900 ppm per homogenous material. Also BFR/CFR/PVC Free

Solder Process Capability

Not applicable for solder process capability

Product Compliance Disclaimer

This information is provided based on reasonable inquiry of our suppliers and represents our current actual knowledge based on the information they provided. This information is subject to change. The part numbers that TE has identified as EU RoHS compliant have a maximum concentration of 0.1% by weight in homogenous materials for lead, hexavalent chromium, mercury, PBB, PBDE, DBP, BBP, DEHP, DIBP, and 0.01% for cadmium, or qualify for an exemption to these limits as defined in the Annexes of Directive 2011/65/EU (RoHS2). Finished electrical and electronic equipment products will be CE marked as required by Directive 2011/65/EU. Components may not be CE marked. Additionally, the part numbers that TE has identified as EU ELV compliant have a maximum concentration of 0.1% by weight in homogenous materials for lead, hexavalent chromium, and mercury, and 0.01% for cadmium, or qualify for an exemption to these limits as defined in the Annexes of Directive 2000/53/EC (ELV). Regarding the REACH Regulation, the information TE provides on SVHC in articles for this part number is based on the latest European Chemicals Agency (ECHA) 'Guidance on requirements for substances in articles' posted at this URL: <https://echa.europa.eu/guidance-documents/guidance-on-reach>


Compatible Parts



TE Part # 1-1634009-0
MMCX Str PCB Skt 50Ohm Gold Pl



TE Part # 9-1478248-0
PRO-C HEX DIE RG174-RG178



TE Part # 6-1634004-0
MMCX Str. Jack Crimp Gold, RG174




TE Part # 6-1634008-0
MMCX RM BHJ Hex 50Ohm Gold RG174A/U, 188



TE Part # 6-1634011-0
MMCX Str B/Head Rept Crimp Gold

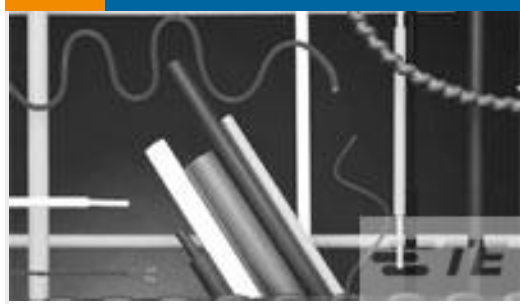


TE Part # 6-1634009-0
MMCX Str PCB Skt Rept

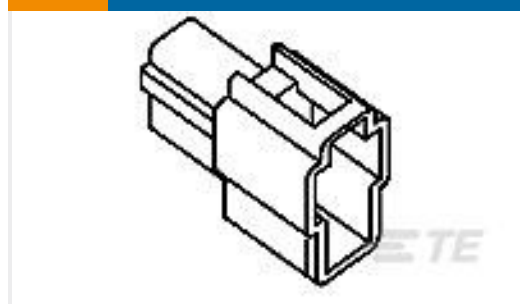


TE Part # 2455002-1
MMCX JACK PCB MOUNT RECEPTACLE

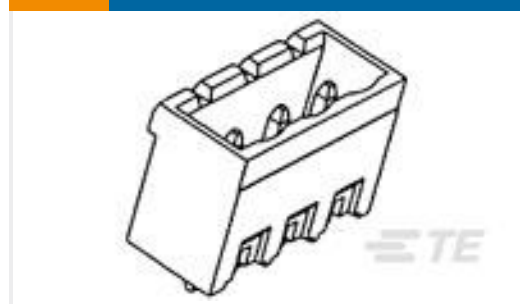
Customers Also Bought



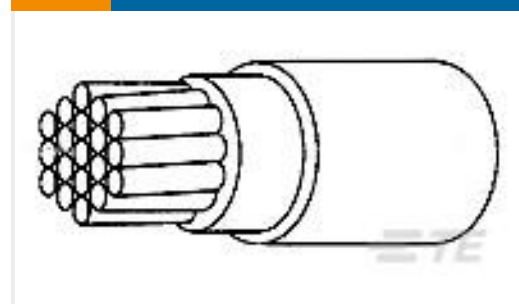
TE Part #5069694007
CGPT-2.4/1.2-X-SP



TE Part #172129-1
FF 250 PLUG HSG 2P NYLON NAT



TE Part #796642-2
2POS 5.0MM CE VRT HDR,TRM BLK



TE Part #7090833001
99M0111-12-2



TE Part #5-1614351-8
RN 0603 22R1 0.1% 10PPM 1K RL



TE Part #1478769-5
ANTI-VIB NYLON GLD 25MM BLK



TE Part #1478885-4
PG EMC GLAND PG13.5



TE Part #3-1105051-1
HN.D-C-BU.AG.0,75



TE Part #3-1105050-1
HN.D-C-STI.AG.0,75



TE Part #1-1105050-1
HN.D-C-STI.AG.0,14

Documents

Product Drawings

[MMCX R/A Plg Hex 50Ohm Gold RG174A/U, 18](#)

English

CAD Files

[3D PDF](#)

3D

Customer View Model

[ENG_CVM_CVM_1-1634002-0_B.2d_dxf.zip](#)

English

Customer View Model

[ENG_CVM_CVM_1-1634002-0_B.3d_igs.zip](#)

English

Customer View Model

[ENG_CVM_CVM_1-1634002-0_B.3d_stp.zip](#)

English

By downloading the CAD file I accept and agree to the [Terms and Conditions](#) of use.

1-1634002-0

MMCX RF Interface, Plug, 50 Ω , Raychem 5026A1631 / Raychem 5026A1331 / Raychem 5026A1318, Snap-On, 6 GHz Operating Frequency, Cable-to-Cable



[Datasheets & Catalog Pages](#)

[1307191 RF Coax Products Catalog](#)

English