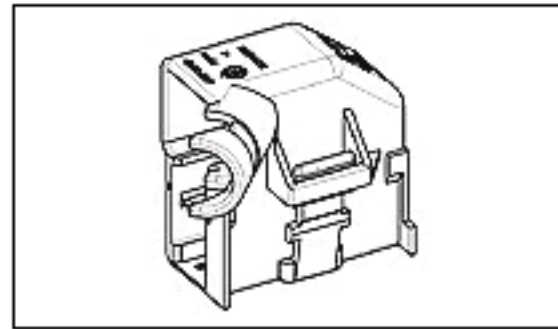


1-1534095-1 Product Details

[Share](#) |
 [Print](#) |
 [Email](#)



1-1534095-1

TE Internal Number: 1-1534095-1

Active

[View 3D PDF](#)

Micro-Power & Power Quadlok System

Always EU RoHS/ELV Compliant (Statement of Compliance)

Product Highlights:

- Accessory
- Accessory Type = Cover
- 20 Positions
- RoHS compliant, ELV compliant
- Lead Free Solder Processes = Not relevant for lead free process

[View all Features](#)

Quick Links

- ▶ [Pricing & Availability](#)
- ▶ [Search for Tooling](#)
- ▶ [Product Feature Selector](#)
- ▶ [Contact Us About This Product](#)

[Add to My Part List](#) |
 [Request Sample](#) |
 [Find Similar Products](#) |
 [Buy Product](#)

Documentation & Additional Information

<p>Product Drawings:</p> <ul style="list-style-type: none"> • None Available <p>Catalog Pages/Data Sheets:</p> <ul style="list-style-type: none"> • None Available <p>Product Specifications:</p> <ul style="list-style-type: none"> • None Available <p>Application Specifications:</p> <ul style="list-style-type: none"> • None Available <p>Instruction Sheets:</p> <ul style="list-style-type: none"> • None Available <p>CAD Files: (CAD Format & Compression Information)</p> <ul style="list-style-type: none"> • 2D Drawing (DXF, Version A) • 3D Model (IGES, Version A) • 3D Model (STEP, Version A) 	<p>Additional Information:</p> <ul style="list-style-type: none"> • Product Line Information <p>Related Products:</p> <ul style="list-style-type: none"> • Tooling
---	--

[List all Documents](#)

Product Features (Please use the Product Drawing for all design activity)

<p>Product Type Features:</p> <ul style="list-style-type: none"> • Product Type = Accessory • Accessory Type = Cover • Color = Red • Keyed = Yes <p>Body Features:</p> <ul style="list-style-type: none"> • Cable Exit Type = 45° • Material = PBT-GF15 <p>Configuration Features:</p> <ul style="list-style-type: none"> • Number of Positions = 20 • GET 0.64 Connector System = No 	<p>Industry Standards:</p> <ul style="list-style-type: none"> • RoHS/ELV Compliance = RoHS compliant, ELV compliant • Lead Free Solder Processes = Not relevant for lead free process • RoHS/ELV Compliance History = Always was RoHS compliant <p>Identification Marking:</p> <ul style="list-style-type: none"> • Key ID = A <p>Conditions for Usage:</p> <ul style="list-style-type: none"> • For Use With = Receptacle 1534102 <p>Other:</p> <ul style="list-style-type: none"> • Brand = AMP
--	---

Corporate Information

- [About TE](#)
- [Investors](#)
- [News Room](#)
- [Supplier Portal](#)
- [Careers](#)
- [Terms & Conditions](#)
- [Privacy Policy](#)

Quick Links

- [Distributor Inventory](#)
- [Product Cross Reference](#)
- [Documents & Drawings](#)
- [Product Compliance Support Center](#)
- [Site Map](#)

Customer Support

- [Email or Chat With Us](#)
- [Find a Phone Number](#)
- [Knowledge Base](#)
- [Manage Your Account](#)

Keep Me Informed

Receive TE News, Events & Technology Updates

Enter your email address

