



Connectors > RF Connectors > Coax Connectors



RF Interface: **BNC**

RF Connector Style: **Plug**

RF Connector Mated Outer Diameter (Approximate): **14.53 mm [ .572 in ]**

Impedance: **75 Ω**

Compatible With RF Cable Type: **URM 70**

## Features

### Product Type Features

Connector Seal & Plug Type	Gasket
RF Interface	BNC
RF Connector Style	Plug
Compatible With RF Cable Type	URM 70
Connector System	Cable-to-Cable
Sealable	Yes
Connector & Contact Terminates To	Wire & Cable

### Configuration Features

Number of Positions	1
Number of Coaxial Contacts	1

### Electrical Characteristics

Impedance	75 Ω
-----------	------

### Body Features

Cable Connector Orientation	Straight
Body Material	Brass
Body Plating Material	Silver

### Contact Features

RF Connector Center Contact Plating Material	Silver
RF Connector Center Contact Material	Brass

### Termination Features

Termination Method to Wire & Cable	Clamp, Solder Terminal
------------------------------------	------------------------

### Mechanical Attachment

RF Connector Coupling Mechanism	Bayonet
RF Contact Captivation Method	Mechanical
Detent	Without

### Dimensions

RF Connector Mated Outer Diameter (Approximate)	14.53 mm[.572 in]
---	-------------------

### Usage Conditions

Operating Temperature Range	-65 – 165 °C[-85 – 329 °F]
-----------------------------	----------------------------

### Operation/Application

Operating Frequency	2 GHz
---------------------	-------

### Packaging Features

Packaging Quantity	50
Packaging Method	Box

### Other

Coupling Nut Base Material	Brass
Gasket Material	Silicone Rubber
Grade	Professional
Dielectric Material	PTFE

### Product Compliance

[For compliance documentation, visit the product page on TE.com>](#)

EU RoHS Directive 2011/65/EU	Compliant with Exemptions
EU ELV Directive 2000/53/EC	Compliant
China RoHS 2 Directive MIIT Order No 32, 2016	Restricted Materials Above Threshold
EU REACH Regulation (EC) No. 1907/2006	Current ECHA Candidate List: JUNE 2024 (241)

Candidate List Declared Against: JUL 2021  
(219)

SVHC > Threshold:

Pb (4% in Component Part)

**Article Safe Usage Statements:**

Do not eat, drink or smoke when using this product. Wash thoroughly after handling. Recycle if possible and dispose of the article by following all applicable governmental regulations relevant to your geographic location.

Halogen Content

Low Halogen - Br, Cl, F, I < 900 ppm per homogenous material. Also BFR/CFR/PVC Free

Solder Process Capability

Wave solder capable to 265°C

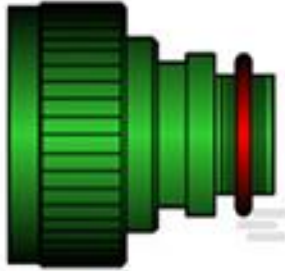
**Product Compliance Disclaimer**

This information is provided based on reasonable inquiry of our suppliers and represents our current actual knowledge based on the information they provided. This information is subject to change. The part numbers that TE has identified as EU RoHS compliant have a maximum concentration of 0.1% by weight in homogenous materials for lead, hexavalent chromium, mercury, PBB, PBDE, DBP, BBP, DEHP, DIBP, and 0.01% for cadmium, or qualify for an exemption to these limits as defined in the Annexes of Directive 2011/65/EU (RoHS2). Finished electrical and electronic equipment products will be CE marked as required by Directive 2011/65/EU. Components may not be CE marked. Additionally, the part numbers that TE has identified as EU ELV compliant have a maximum concentration of 0.1% by weight in homogenous materials for lead, hexavalent chromium, and mercury, and 0.01% for cadmium, or qualify for an exemption to these limits as defined in the Annexes of Directive 2000/53/EC (ELV). Regarding the REACH Regulation, the information TE provides on SVHC in articles for this part number is based on the latest European Chemicals Agency (ECHA) 'Guidance on requirements for substances in articles' posted at this URL: <https://echa.europa.eu/guidance-documents/guidance-on-reach>

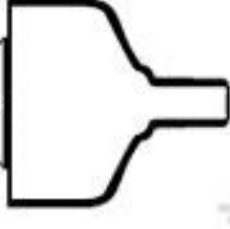
## Customers Also Bought



TE Part #980286-000  
242W042-25-0



TE Part #293973-000  
TXR40AB00-1612AI




TE Part #806677-000  
214A032-25-0



TE Part #554173-000  
TXR40AB00-1406AI



TE Part #658819-000  
TXR40AB00-1006AI



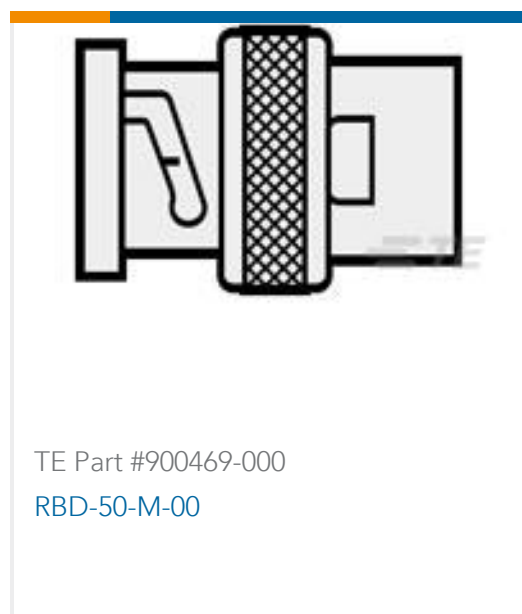
TE Part #165805-000  
D-602-0144



TE Part #430079-000  
7528A5314-0



TE Part #918455-000  
RBD-75-S-00



## Documents

### Product Drawings

#### BNC Str Plg PS 75Ohm Silver URM70

English

### CAD Files

#### 3D PDF

3D

#### Customer View Model

[ENG\\_CVM\\_CVM\\_1-1478408-0\\_C.2d\\_dxf.zip](#)

English

#### Customer View Model

[ENG\\_CVM\\_CVM\\_1-1478408-0\\_C.3d\\_igs.zip](#)

English

#### Customer View Model

[ENG\\_CVM\\_CVM\\_1-1478408-0\\_C.3d\\_stp.zip](#)

English

By downloading the CAD file I accept and agree to the [Terms and Conditions](#) of use.

### Product Specifications

#### Economy RF Coaxial Connectors

English

#### Product Specification

English

### Instruction Sheets

#### GREENPAR RF CONNECTOR CABLE ASSEMBLY INSTRUCTION SHEET

English

#### Instruction Sheet (non U.S.)

English