



Product Compliance

[For compliance documentation, visit the product page on TE.com>](#)

EU RoHS Directive 2011/65/EU	Compliant
EU ELV Directive 2000/53/EC	Compliant
China RoHS 2 Directive MIIT Order No 32, 2016	No Restricted Materials Above Threshold
EU REACH Regulation (EC) No. 1907/2006	Current ECHA Candidate List: JUNE 2024 (241) Candidate List Declared Against: JAN 2024 (240) Does not contain REACH SVHC
Halogen Content	Low Halogen - Br, Cl, F, I < 900 ppm per homogenous material. Also BFR/CFR/PVC Free
Solder Process Capability	Not applicable for solder process capability

Product Compliance Disclaimer

This information is provided based on reasonable inquiry of our suppliers and represents our current actual knowledge based on the information they provided. This information is subject to change. The part numbers that TE has identified as EU RoHS compliant have a maximum concentration of 0.1% by weight in homogenous materials for lead, hexavalent chromium, mercury, PBB, PBDE, DBP, BBP, DEHP, DIBP, and 0.01% for cadmium, or qualify for an exemption to these limits as defined in the Annexes of Directive 2011/65/EU (RoHS2). Finished electrical and electronic equipment products will be CE marked as required by Directive 2011/65/EU. Components may not be CE marked. Additionally, the part numbers that TE has identified as EU ELV compliant have a maximum concentration of 0.1% by weight in homogenous materials for lead, hexavalent chromium, and mercury, and 0.01% for cadmium, or qualify for an exemption to these limits as defined in the Annexes of Directive 2000/53/EC (ELV). Regarding the REACH Regulation, the information TE provides on SVHC in articles for this part number is based on the latest European Chemicals Agency (ECHA) 'Guidance on requirements for substances in articles' posted at this URL: <https://echa.europa.eu/guidance-documents/guidance-on-reach>

Compatible Parts



TE Part # 9-1452380-9
96 POS. CONNECTOR ASSY



TE Part # 9-1563173-9
96POS,MCON-1.2 CB,REC HSG,ASSY



TE Part # 9-1452423-9
96 POS. CONNECTOR ASSY




TE Part # 1-2294803-1
96POS,MCON 1.2 CB,REC HSG,ASSY



TE Part # 8-1452423-7
96 POS. PCM CPNNECTOR



TE Part # 8-1564284-1
96POS,MCON-1.2 CB,REC HSG,ASSY



TE Part # 1-1452390-1
COVER 96P(154P)



TE Part # 1-1564284-1
96POS,MCON-1.2 CB,REC HSG,ASSY



TE Part # 1-1564284-7
96POS,MCON-1.2 CB,REC HSG,ASSY



TE Part # 1-1564284-8
96POS,MCON-1.2 CB,REC HSG,ASSY



TE Part # 1-1564284-9
96POS,MCON-1.2 CB,REC HSG,ASSY



TE Part # 2-1563173-1
96POS,MCON-1.2 CB,REC HSG,ASSY



TE Part # 2-1564284-0
96POS,MCON-1.2 CB,REC HSG,ASSY



TE Part # 2-1564284-2
96POS,MCON-1.2 CB,REC HSG,ASSY



TE Part # 2-1564284-3
96POS,MCON-1.2 CB,REC HSG,ASSY



TE Part # 2-1564284-4
96POS,MCON-1.2 CB,REC HSG,ASSY



TE Part # 2-1564284-5
96POS,MCON-1.2 CB,REC HSG,ASSY



TE Part # 2-1564284-6
96POS,MCON-1.2 CB,REC HSG,ASSY



TE Part # 2-1564284-7
96POS,MCON-1.2 CB,REC HSG,ASSY

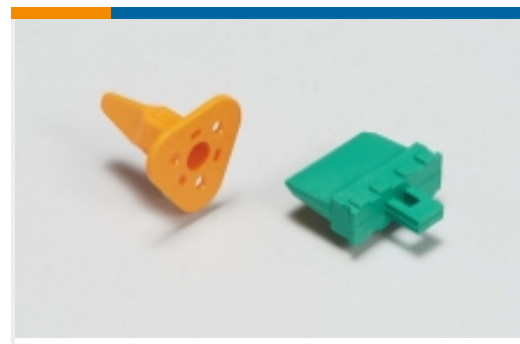


TE Part # 3-1564284-0
96POS,MCON-1.2 CB,REC HSG,ASSY

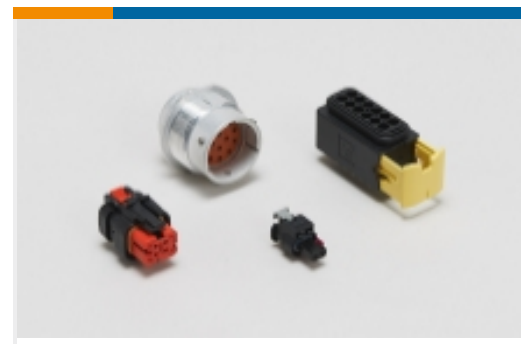
Also in the Series | **MCON Interconnection System**



Automotive Connector Caps & Covers (37)



Automotive Connector Locks & Position Assurance(15)



Automotive Housings(119)



Automotive Terminals(26)



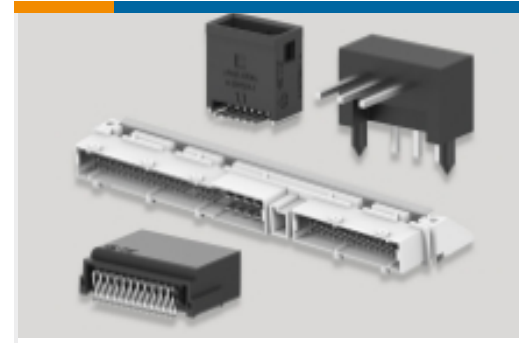
Connector Seals & Cavity Plugs(9)



Insertion & Extraction Tools(31)



Other Automotive Connector Accessories(4)



PCB Headers & Receptacles(4)

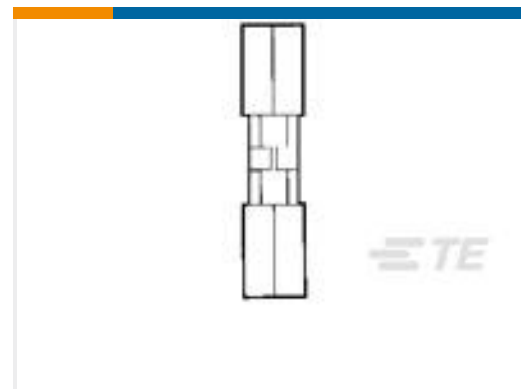
Customers Also Bought



TE Part #35106
PIDG Ring Tongue Terminals



TE Part #34837
TERMINAL,PG R 12-10 1/2



TE Part #324893
SPLICE,SOLIS BUTT STRAP 12-10



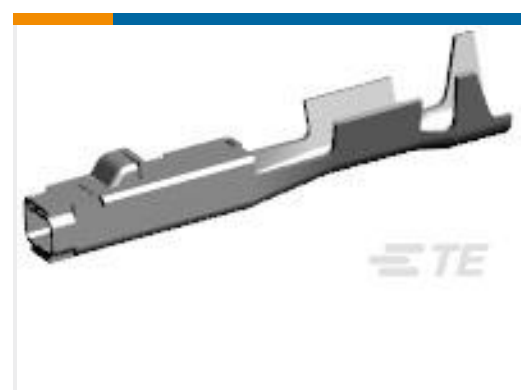
TE Part #52041-7
TERMINAL R PG 8 1/4



TE Part #926869-3
UNIV-MNL SOCKET 1



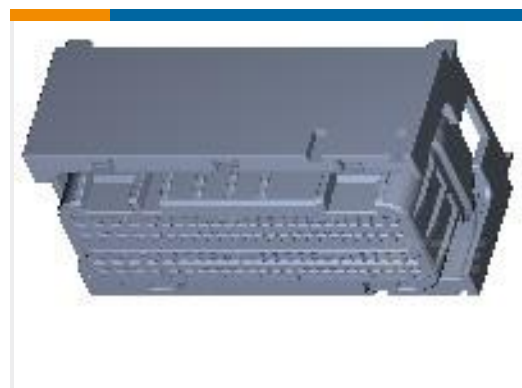
TE Part #828906-2
BLINDSTOPFEN 1,5SYS



TE Part #1670144-1
MCON 1.2 CB REC SRC SN



TE Part #9-1563173-9
96POS,MCON-1.2 CB,REC HSG,ASSY



TE Part #9-1452423-9
96 POS. CONNECTOR ASSY

Documents



Product Drawings

COVER ASSY 96POS

English

CAD Files

3D PDF

3D

Customer View Model

[ENG_CVM_CVM_1-1452389-1_D.2d_dxf.zip](#)

English

Customer View Model

[ENG_CVM_CVM_1-1452389-1_D.3d_igs.zip](#)

English

Customer View Model

[ENG_CVM_CVM_1-1452389-1_D.3d_stp.zip](#)

English

By downloading the CAD file I accept and agree to the [Terms and Conditions](#) of use.

Product Specifications

Application Specification

English