

1-144546-0 ✓ ACTIVE

TE Internal #: 1-144546-0

Housing for Male Terminals, 3 Position, .207 in [5.25 mm]

Centerline, Black, Wire & Cable, Cable Mount (Free-Hanging), -40 – 212 °F [-40 – 100 °C]

[View on TE.com >](#)



Connectors > Automotive Connectors > Automotive Housings



Number of Positions: 3

Connector & Housing Type: **Housing for Male Terminals**

Centerline (Pitch): 5.25 mm [.207 in]

Sealable: **No**

Number of Rows: 1

## Features

### Product Type Features

Mixed & Hybrid Connector	No
Connector & Housing Type	Housing for Male Terminals
Sealable	No
Connector & Contact Terminates To	Wire & Cable
Primary Locking Feature	Integrated in Housing

### Configuration Features

Number of Positions	3
Number of Rows	1

### Electrical Characteristics

Nominal Voltage Architecture	24 V
------------------------------	------

### Body Features

Primary Product Color	Black
-----------------------	-------

### Mechanical Attachment

Connector Mounting Type	Cable Mount (Free-Hanging)
-------------------------	----------------------------

### Housing Features

Centerline (Pitch)	5.25 mm[.207 in]
--------------------	------------------

### Usage Conditions

Operating Temperature (Max)	100 °C[212 °F]
-----------------------------	----------------



Operating Temperature Range -40 – 100 °C[-40 – 212 °F]

**Other**

Connector Position Assurance Capable No

**Product Compliance**

[For compliance documentation, visit the product page on TE.com>](#)

EU RoHS Directive 2011/65/EU Compliant

EU ELV Directive 2000/53/EC Compliant

China RoHS 2 Directive MIIT Order No 32, 2016 No Restricted Materials Above Threshold

EU REACH Regulation (EC) No. 1907/2006  
 Current ECHA Candidate List: JUNE 2023 (235)  
 Candidate List Declared Against: JUNE 2023 (235)  
 Does not contain REACH SVHC

Halogen Content Low Halogen - Br, Cl, F, I < 900 ppm per homogenous material. Also BFR/CFR/PVC Free

Solder Process Capability Not reviewed for solder process capability

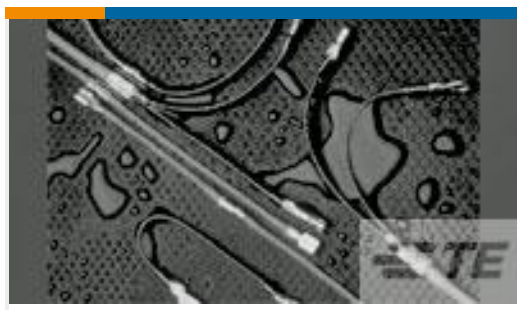
**Product Compliance Disclaimer**

This information is provided based on reasonable inquiry of our suppliers and represents our current actual knowledge based on the information they provided. This information is subject to change. The part numbers that TE has identified as EU RoHS compliant have a maximum concentration of 0.1% by weight in homogenous materials for lead, hexavalent chromium, mercury, PBB, PBDE, DBP, BBP, DEHP, DIBP, and 0.01% for cadmium, or qualify for an exemption to these limits as defined in the Annexes of Directive 2011/65/EU (RoHS2). Finished electrical and electronic equipment products will be CE marked as required by Directive 2011/65/EU. Components may not be CE marked. Additionally, the part numbers that TE has identified as EU ELV compliant have a maximum concentration of 0.1% by weight in homogenous materials for lead, hexavalent chromium, and mercury, and 0.01% for cadmium, or qualify for an exemption to these limits as defined in the Annexes of Directive 2000/53/EC (ELV). Regarding the REACH Regulation, the information TE provides on SVHC in articles for this part number is based on the latest European Chemicals Agency (ECHA) 'Guidance on requirements for substances in articles' posted at this URL: <https://echa.europa.eu/guidance-documents/guidance-on-reach>

**Compatible Parts**



**Customers Also Bought**



TE Part #138601-000  
B-106-1401



TE Part #215299-6  
6P HV100 REC CON. TE, 8.5MM



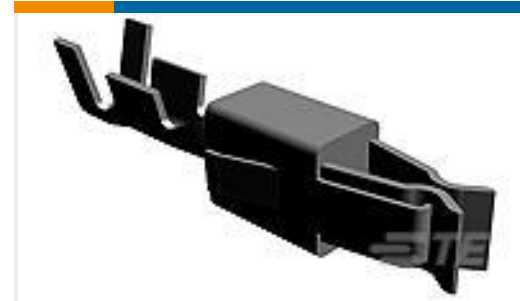
TE Part #444496-1  
HSG ASS'Y 2 POSN JR POWER



TE Part #66100-8  
III+ SKT, 18-16, 15AU/FL, STRIP



TE Part #1241416-1  
AMP MCP 6.3/4.8K, CONTACT, SWS



TE Part #964284-2  
JPT A REC 2.8 Contact SRC Sn



TE Part #6609104-9  
PE0S0SS30=C1134



TE Part #826886-4  
3P ECONOSEAL "E".



TE Part #CS4794-000  
FLTWC0311-18-8



TE Part #4-1768381-0  
BLF-79208795B

## Documents

### Product Drawings

#### 3 POS HSG SEALING MK IV

English

### CAD Files

#### Customer View Model

[ENG\\_CVM\\_CVM\\_1-144546-0\\_A.2d\\_dxf.zip](#)

English

#### 3D PDF

3D

#### Customer View Model

[ENG\\_CVM\\_CVM\\_1-144546-0\\_A.3d\\_igs.zip](#)

English

#### Customer View Model

[ENG\\_CVM\\_CVM\\_1-144546-0\\_A.3d\\_stp.zip](#)

English

By downloading the CAD file I accept and agree to the [Terms and Conditions](#) of use.

## Product Specifications



## Application Specification

English

### SURMOULAGE DES CONNECTEURS MIC IV PORTE LANGUETTES ETANCHES

English