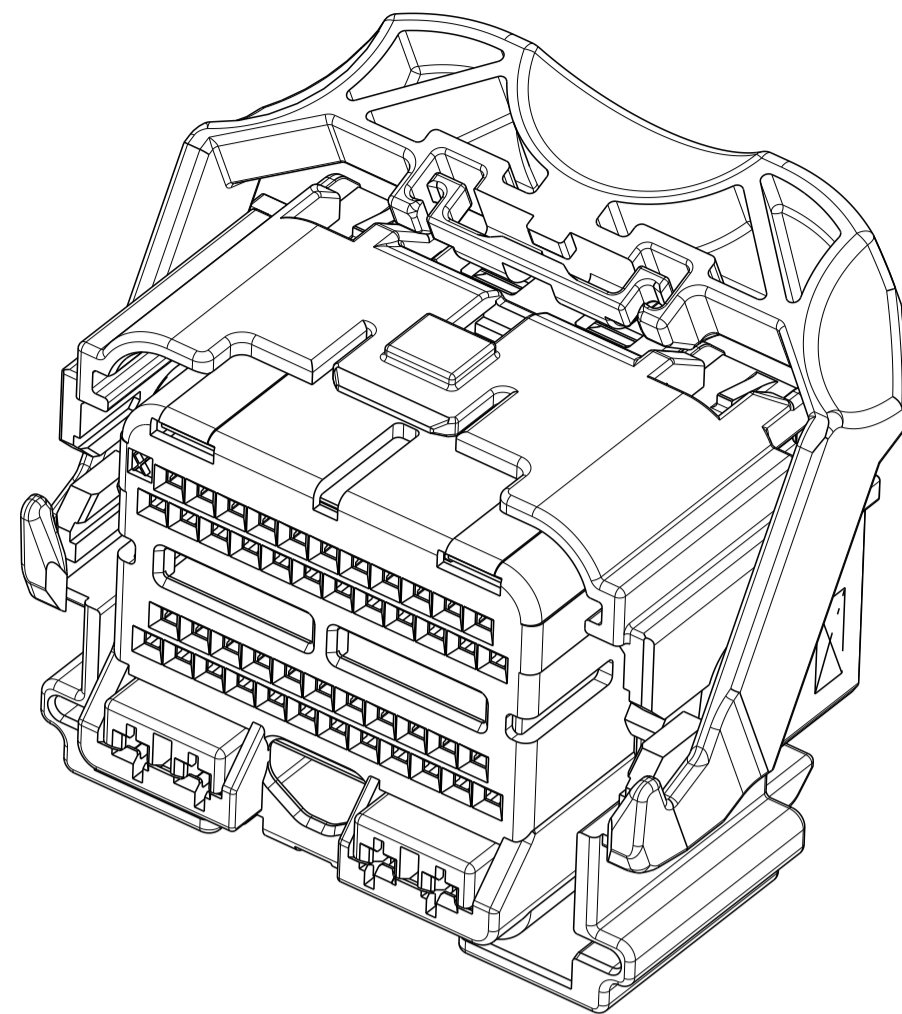
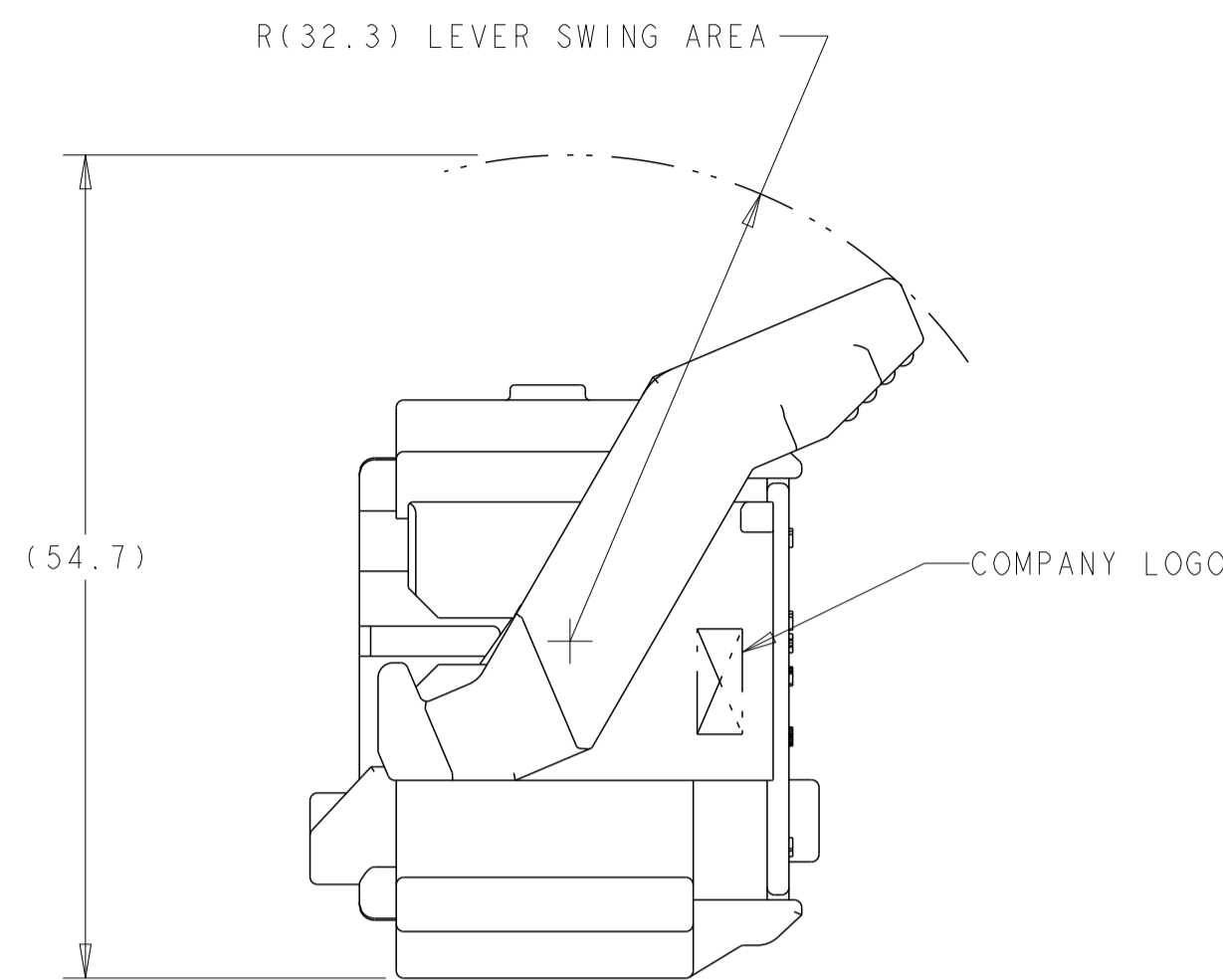
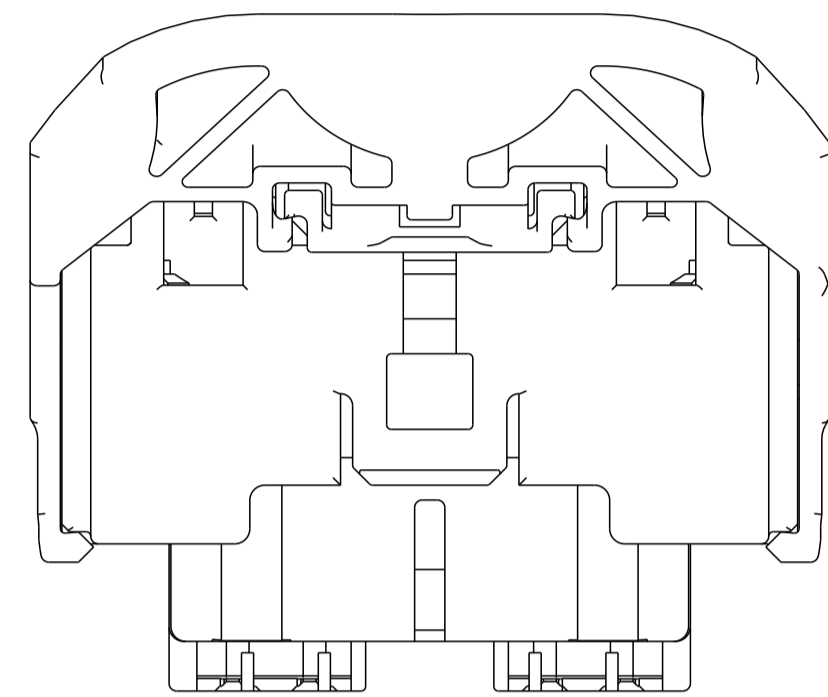


REVISIONS					
P	LTN	DESCRIPTION	DATE	DWN	APVD
A11		REVISED PER ECO-10-020914	22NOV2010	DLD	DCM
A12		REVISED PER ECO-20-012415	10SEP2020	AP	CM



PART NUMBER:  
1438693-1  
SHOWN WITH SPACER  
IN SEATED POSITION  
SCALE 2:1



SHOWN WITH SPACER IN SEATED POSITION

PRINT TYCO ELECTRONICS PART NUMBER AND TRACEABILITY (YY : 2 DIGIT YEAR, JJJ = JULIAN DATE, HH = 2 DIGIT MILITARY HOUR CODE) IN THE LOCATION AT ASSEMBLY.

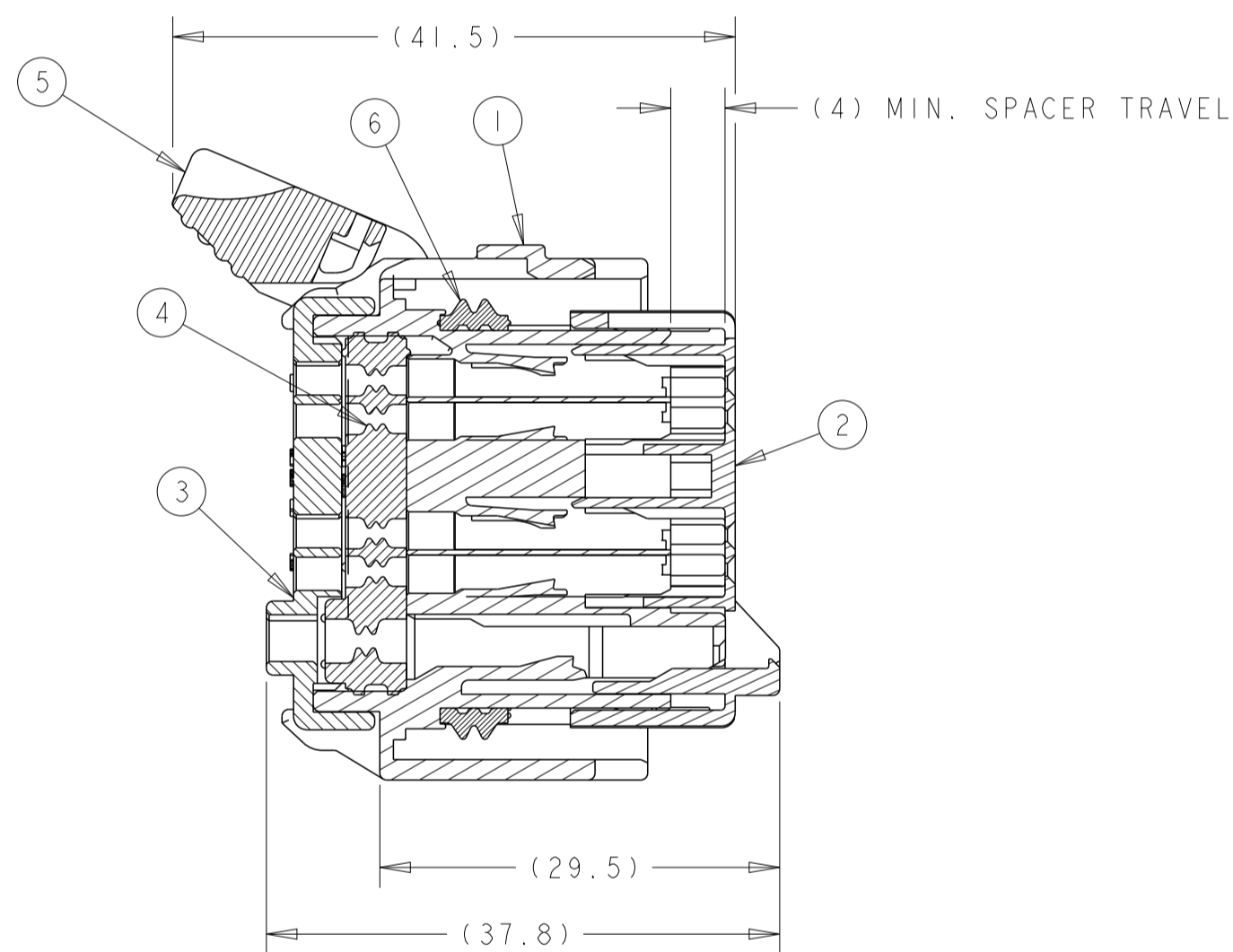
OPTIONAL WIRE SHIELD PART NUMBERS (SOLD SEPARATELY) 1438126, 1438180, 1488373, AND 1488572. CONTACT TYCO ELECTRONICS ENGINEER FOR MINIMUM FEED THRU CONDITION.

3. APPLICABLE TERMINAL PART NUMBERS (SOLD SEPARATELY)  
FOR TIN APPLICATIONS: 1393367 AND 1393366.  
FOR GOLD APPLICATIONS: 1393365 AND 1393364  
FOR TERMINATION AND REELING OPTIONS SEE DRAWINGS 1393367, 1393366, 1393365, AND 1393364.

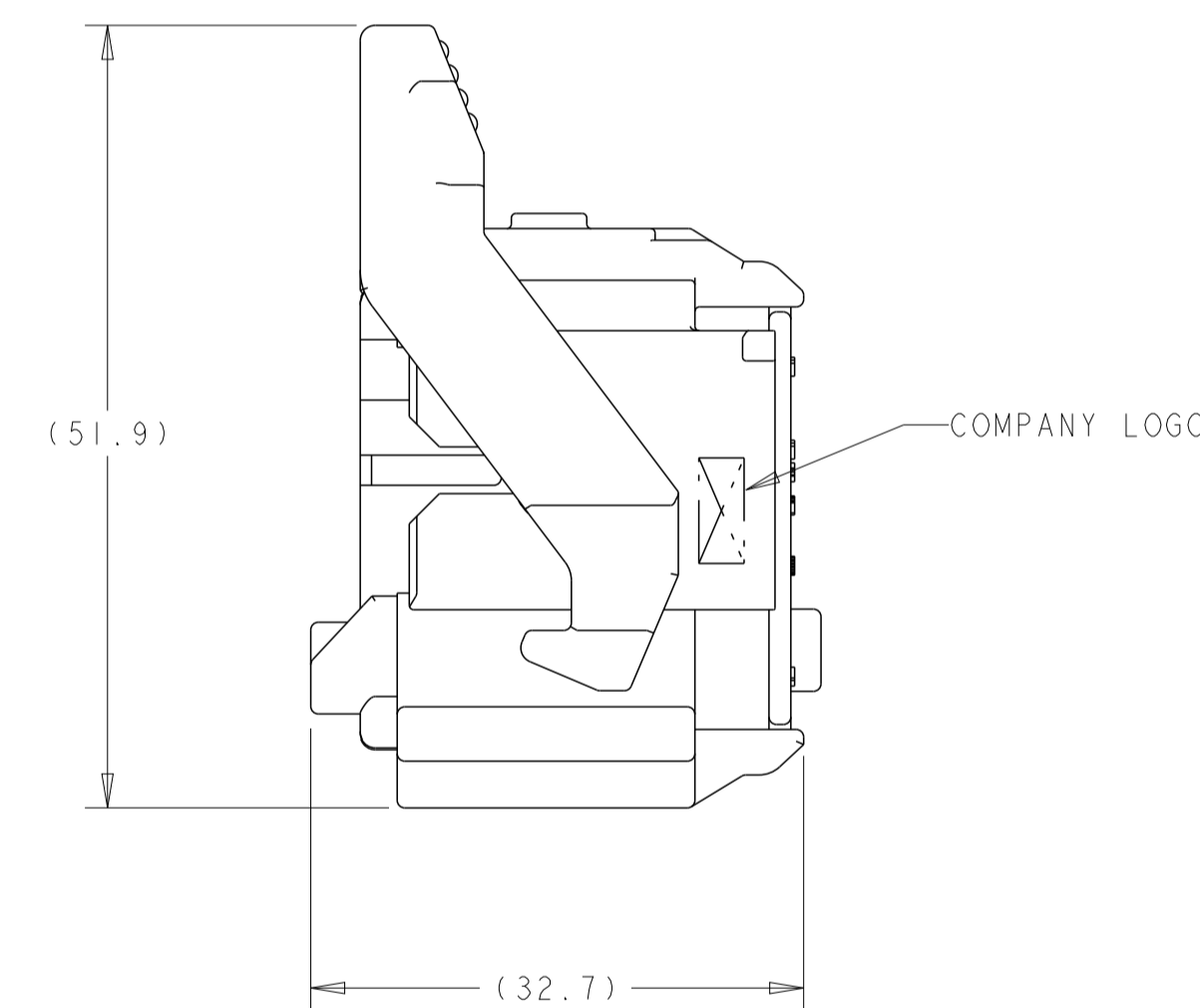
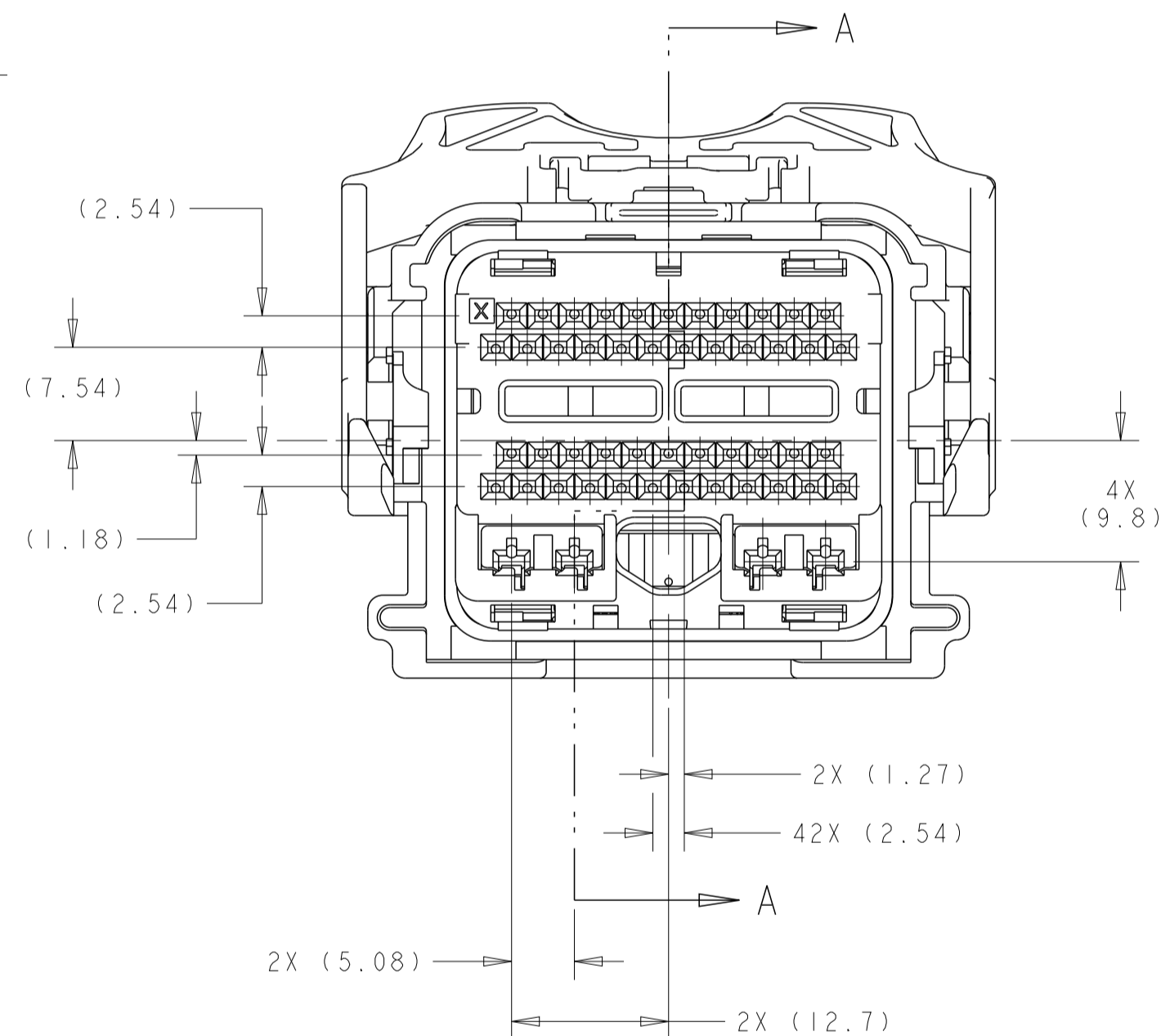
4. APPLICABLE MOLEX (1.5) POWER TERMINAL PART NUMBERS:  
33012-0002 TIN 0.50-1.50mm<sup>2</sup>

5. CAM LEVER AND SPACER ARE SHIPPED IN THEIR PRE-ASSEMBLED POSITIONS.

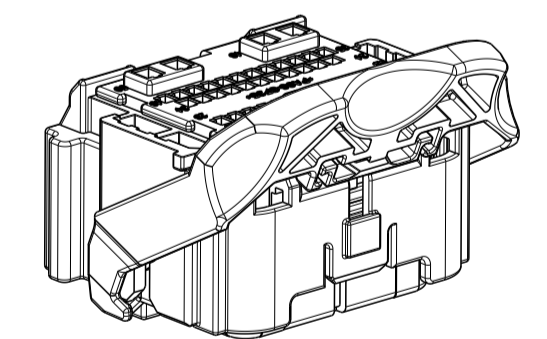
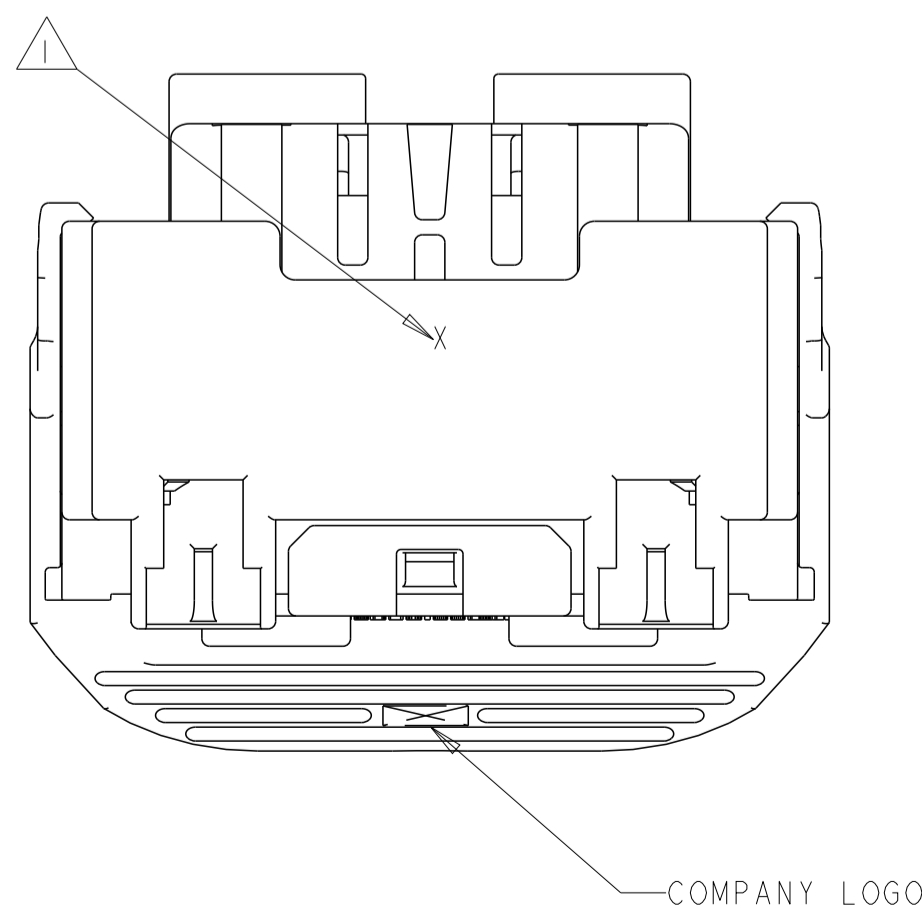
OBsolete PART



SECTION A-A  
SPACER AND LEVER IN  
PRE-SEATED POSITION  
(DELIVERY CONDITION)



SHOWN WITH CAM  
LEVER AND SPACER  
IN LOADED POSITION



SCALE 1:1

PART COLOR	DESCRIPTION	ITEM NO.
GREEN	PERIMETER SEAL	6
GRAY	LEVER	5
BROWN	GROMMET SEAL	4
BLACK	COVER	3
NATURAL	SPACER	2
BLACK	HARNESS, KEY "C"	1

THIS DRAWING IS A CONTROLLED DOCUMENT.		DWN B. CRISAMORE 21 JUL 2004	NAME PCM 50-WAY HARNESS ASSEMBLY KEY C
DIMENSIONS:		CHK M. HITCHCOCK 21 JUL 2004	RESTRICTED TO
mm	TOLERANCES UNLESS OTHERWISE SPECIFIED:	APVD C. MARTIN 21 JUL 2004	SIZE A100779C=1438693
	0 PLC ±0.3	PRODUCT SPEC	SCALE 2:1
	2 PLC ±0.10	APPLICATION SPEC	SHEET 1 OF 4
	3 PLC ±0.10	WEIGHT	REV A12
	4 PLC ±0.10	CUSTOMER DRAWING	
MATERIAL	FINISH		



REVISIONS				
P	LTN	DESCRIPTION	DATE	APPD
-		SEE SHEET 1	-	-

KEYING OPTION C

		48	47	46	45	44	43	42	41		39	38	37	36	35		33	32	31	30	29	28		26	25	24	23	22	21	20	19	18			14	13	12		9	8	7		5	4	3		1	3-1438693-2
		48			45	44	43	42	41		39	38	37	36	35		33	32	31	30	29	28		26	25	24	23	22	21	20	19	18			14	13	12		9	8	7		5	4	3		1	3-1438693-1
		48	47	46	45	44	43	42	41		39	38	37	36	35		33	32	31	30	29	28		26	25	24	23	22	21	20	19	18			14	13	12	10	9	8		5	4	3		1	<del>3-1438693-0</del> <sup>8</sup>	
		48	47	46	45	44	43		41		39	38	37	36	35		33	32	31	30	29			26				22	21	20	19	18			14	13	12	10	9			5	4			1	2-1438693-9	
		48	47	46	45	44	43		41		39	38	37	36	35		33	32	31	30	29			26				22	21	20	19	18			14	13	12		9		7		5	4			1	2-1438693-8
		48	47	46	45	44	43	42	41		39	38	37	36	35		33	32	31	30	29			26				22	21	20	19	18			14	13	12		9	8			5	4	3		1	<del>2-1438693-7</del> <sup>8</sup>
		48	47	46	45	44	43	42	41		39	38	37	36	35		33	32	31	30	29	28		26				22	21	20	19	18			14	13	12		9	8	7		5	4	3		1	2-1438693-6
49	48				45	44	43	42	41		39	38	37	36	35		33	32	31	30	29	28		26				22	21	20	19	18			14	13	12	10	9	8		5	4	3		1	<del>2-1438693-5</del> <sup>8</sup>	
		48			45	44	43	42	41		39	38	37	36	35		33	32	31	30	29	28		26				22	21	20	19	18			14	13	12		9	8	7		5	4	3		1	<del>2-1438693-4</del> <sup>8</sup>
		48	47	46	45	44	43	42	41		39	38	37	36	35		33	32	31	30	29	28		26				22	21	20	19	18			14	13	12	10	9	8	7		5	4	3		1	2-1438693-3
49	48	47	46	45	44	43	42	41		39	38	37	36	35		33	32	31	30	29	28		26				22	21	20	19	18			14	13	12	10	9	8		5	4	3		1	<del>2-1438693-2</del> <sup>8</sup>		
		48	47	46	45	44	43				39	38	37	36	35		33	32	31	30	29			26	25	24	23	22	21	20	19	18			14	13	12	10	9			5				1	2-1438693-1	
		48	47	46	45	44	43				39	38	37	36	35		33	32	31	30	29			26	25	24	23	22	21	20	19	18			14	13	12		9		7		5				1	2-1438693-0
		48	47	46	45	44	43	42	41		39	38	37	36	35		33	32	31	30	29			26	25	24	23	22	21	20	19	18			14	13	12	10	9	8		5	4			1	1-1438693-9	
		48	47	46	45	44	43	42	41		39	38	37	36	35		33	32	31	30	29			26	25	24	23	22	21	20	19	18			14	13	12		9	8	7		5	4			1	1-1438693-8
		48	47	46	45	44	43				39	38	37	36	35		33	32	31	30	29			26				22	21	20	19	18			14	13	12	10	9			5				1	1-1438693-7	
		48	47	46	45	44	43				39	38	37	36	35		33	32	31	30	29			26				22	21	20	19	18			14	13	12		9		7		5				1	1-1438693-6
		48	47	46	45	44	43	42	41		39	38	37	36	35		33	32	31	30	29			26				22	21	20	19	18			14	13	12	10	9	8		5	4			1	1-1438693-5	
		48	47	46	45	44	43	42	41		39	38	37	36	35		33	32	31	30	29			26				22	21	20	19	18			14	13	12		9	8	7		5	4			1	1-1438693-4
		48	47	46	45	44	43	42	41		39	38	37	36	35		33	32	31	30	29			26		24	23	22	21	20	19	18			14	13	12		9	8	7	6	5	4	3		1	<del>1-1438693-3</del> <sup>8</sup>
		48	47	46	45	44	43	42	41		39	38	37	36	35		33	32	31	30	29			26		24	23	22	21	20	19	18			14	13	12	10	9	8		6	5	4	3		1	<del>1-1438693-2</del> <sup>8</sup>
		48	47	46	45	44	43	42	41		39	38	37	36	35		33	32	31	30	29			26				22	21	20	19	18			14	13	12	10	9	8	7		5	4	3		1	<del>1-1438693-1</del> <sup>8</sup>
		48			45	44	43	42	41		39	38	37	36	35		33	32	31	30	29			26		24	23	22	21	20	19	18			14	13	12	10	9	8		6	5	4	3		1	<del>1-1438693-0</del> <sup>8</sup>
		48	47	46	45	44	43	42	41		39	38	37	36	35		33	32	31	30	29			26	25	24	23	22	21	20	19	18			14	13	12		9	8	7		5	4	3		1	1438693-9
		48			45	44	43	42	41		39	38	37	36	35		33	32	31	30	29			26	25	24	23	22	21	20	19	18			14	13	12		9	8	7		5	4	3		1	1438693-8
		48			45	44	43	42	41		39	38	37	36	35		33	32	31	30	29			26	25	24	23	22	21	20	19	18			14	13	12	10	9	8		5	4	3		1	<del>1438693-7</del> <sup>8</sup>	
		48	47	46	45	44	43	42	41		39	38	37	36	35		33	32	31	30	29			26	25	24	23	22	21	20	19	18			14	13	12	10	9	8		5	4	3		1	<del>1438693-6</del> <sup>8</sup>	
49	48				45	44	43	42	41		39	38	37	36	35		33	32	31	30	29			26				22	21	20	19	18			14	13	12	10	9	8		5	4	3		1	1438693-5	
		48			45	44	43	42	41		39	38	37	36	35		33	32	31	30	29			26				22	21	20	19	18			14	13	12		9	8	7		5	4	3		1	<del>1438693-4</del> <sup>8</sup>
		48	47	46	45	44	43	42	41		39	38	37	36	35		33	32	31	30	29			26				22	21	20	19	18			14	13	12		9	8	7		5	4	3		1	<del>1438693-3</del> <sup>8</sup>
49	48	47	46	45	44	43	42	41		39	38	37	36	35		33	32	31	30	29			26				22	21	20	19	18			14	13	12	10	9	8		5	4	3		1	<del>1438693-2</del> <sup>8</sup>		
																																														1	1438693-1	


CAVITIES WITH A NUMERIC SYMBOL INDICATES CLOSED TERMINAL LOCATIONS

BLANK CAVITIES INDICATES OPEN TERMINAL HOLE LOCATIONS

TERMINAL HOLE POSITION

PIN-OUT CHART

ASSEMBLY PART NUMBER

THIS DRAWING IS A CONTROLLED DOCUMENT.		OWN: B. CRISAMORE CHK: M. HITCHCOCK APPD: C. MARTIN	21 JUL 2004 21 JUL 2004 21 JUL 2004	 TE Connectivity
DIMENSIONS:	TOLERANCES UNLESS OTHERWISE SPECIFIED:	NAME: PCM PRODUCT SPEC: APPLICATION SPEC:	SIZE: CAGE CODE: DRAWING NO: A100779C=1438693	
mm	0 PLC ± 1 PLC ±0.			

REVISIONS				
P	LTN	DESCRIPTION	DATE	APVD
-		SEE SHEET 1	-	-

<b>KEYING OPTION C</b>			48	47	46	45	44	43				39	38	37	36	35				33	32	31	30	29				26				22	21	20	19	18				14	13	12				10	9				6	5				1	4-1438693-6			
			48	47	46	45	44	43				39	38	37	36	35				33	32	31	30	29				26				22	21	20	19	18				14	13	12				9	7	6	5				1	4-1438693-5						
			48	47	46	45	44	43	42	41				39	38	37	36	35				33	32	31	30	29				26				22	21	20	19	18				14	13	12	10	9	8	6	5	4				1	4-1438693-4					
			48	47	46	45	44	43	42	41				39	38	37	36	35				33	32	31	30	29				26				22	21	20	19	18				14	13	12				9	8	7	6	5	4				1	4-1438693-3		
			48	47	46	45	44	43	42	41				39	38	37	36	35				33	32	31	30	29	28				26				22	21	20	19	18				14	13	12				9	8	7	6	5	4	3				1	4-1438693-2
			48	47	46	45	44	43	42	41				39	38	37	36	35				33	32	31	30	29				26				22	21	20	19	18				14	13	12				9	8	7	6	5	4	3				1	4-1438693-1	
		49	48	47	46	45	44	43	42	41				39	38	37	36	35				33	32	31	30	29				26				22	21	20	19	18				14	13	12	10	9	8	6	5	4	3				1	4-1438693-0				
		49	48	47	46	45	44	43	42	41				39	38	37	36	35				33	32	31	30	29	28				26				22	21	20	19	18				14	13	12	10	9	8	6	5	4	3				1	3-1438693-9			
			48	47	46	45	44	43	42				39	38	37	36	35				33	32				29	28				26				22	21	20	19	18				14	13	12	10	9	8	7	5	4	3				1	3-1438693-8			
			48	47	46	45	44	43	42				39	38	37	36	35				33	32				29	28	26	25	24	23	22	21	20	19	18				14	13	12	10	9	8	7	5	4	3				1	3-1438693-7						

CAVITIES WITH A NUMERIC SYMBOL INDICATES CLOSED TERMINAL LOCATIONS

BLANK CAVITIES INDICATES OPEN TERMINAL HOLE LOCATIONS

TERMINAL HOLE POSITION

ASSEMBLY PART NUMBER

PIN-OUT CHART

THIS DRAWING IS A CONTROLLED DOCUMENT.		DWN B. CRISAMORE 21 JUL 2004 CHK M. HITCHCOCK 21 JUL 2004 APVD C. MARTIN 21 JUL 2004		
DIMENSIONS: mm 	TOLERANCES UNLESS OTHERWISE SPECIFIED: 0 PLC ± 1 PLC ±0.3 2 PLC ±0.10 3 PLC ± 4 PLC ± ANGLES ±° FINISH ±μm	NAME PCM PRODUCT SPEC 50-WAY HARNESS ASSEMBLY APPLICATION SPEC KEY C	SIZE A CAGE CODE 00779 DRAWING NO. 1438693	RESTRICTED TO SCALE 2:1 SHEET 4 OF 4 REV A12
MATERIAL		WEIGHT	CUSTOMER DRAWING	

# Mouser Electronics

Authorized Distributor

Click to View Pricing, Inventory, Delivery & Lifecycle Information:

[TE Connectivity:](#)

[1-1438693-9](#)