

1-1437713-1 ✓ ACTIVE

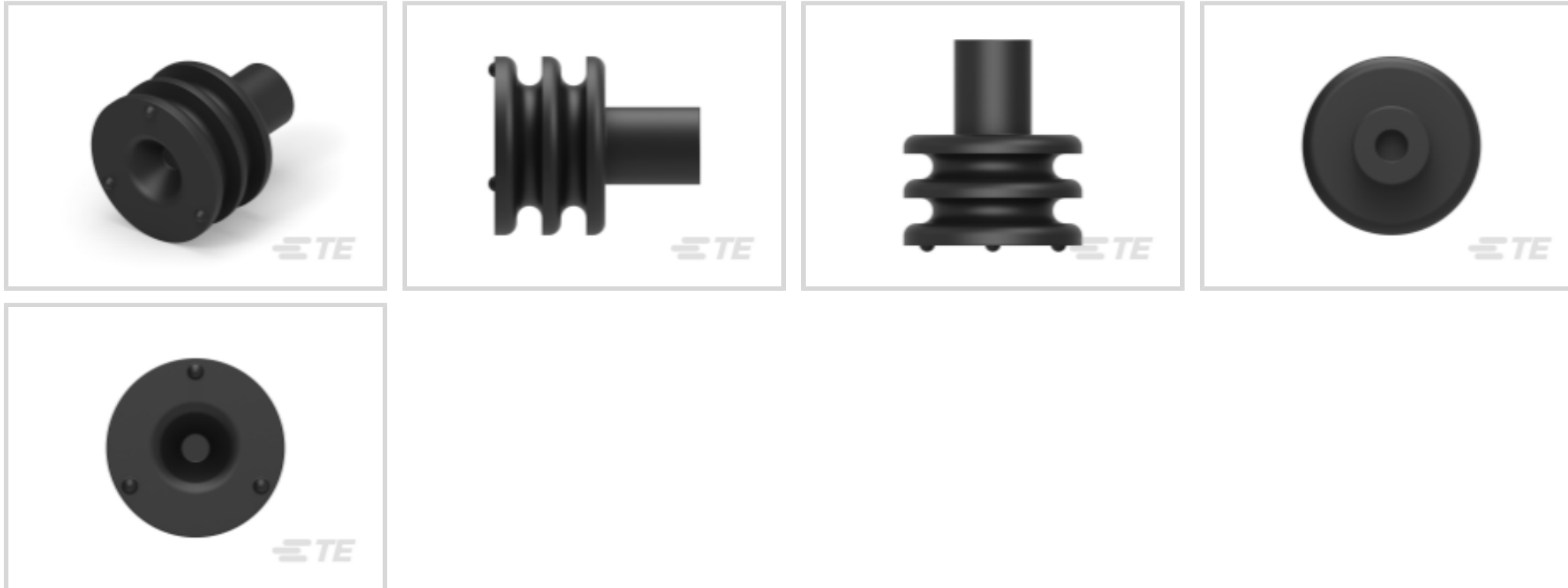
TE Internal #: 1-1437713-1

Grommet Seal, Black, -40 – 135 °C [-40 – 275 °F] Operating Temperature

[View on TE.com >](#)



Connectors > Connector Accessories > Connector Seals & Cavity Plugs



Connector Seal & Plug Type: **Grommet Seal**

Primary Product Color: **Black**

Operating Temperature (Max): **135 °C [ 275 °F ]**

Operating Temperature Range: **-40 – 135 °C [ -40 – 275 °F ]**

## Features

### Product Type Features

Connector Seal & Plug Type	Grommet Seal
----------------------------	--------------

### Body Features

Primary Product Color	Black
-----------------------	-------

### Usage Conditions

Operating Temperature (Max)	135 °C[275 °F]
Operating Temperature Range	-40 – 135 °C[-40 – 275 °F]

## Product Compliance

[For compliance documentation, visit the product page on TE.com>](#)

EU RoHS Directive 2011/65/EU	Compliant
EU ELV Directive 2000/53/EC	Compliant
China RoHS 2 Directive MIIT Order No 32, 2016	No Restricted Materials Above Threshold
EU REACH Regulation (EC) No. 1907/2006	Current ECHA Candidate List: JUNE 2023 (235) Candidate List Declared Against: JUNE 2023 (235) Does not contain REACH SVHC

Halogen Content

Low Halogen - Br, Cl, F, I < 900 ppm per homogenous material. Also BFR/CFR/PVC Free

Solder Process Capability

Not reviewed for solder process capability

Product Compliance Disclaimer

This information is provided based on reasonable inquiry of our suppliers and represents our current actual knowledge based on the information they provided. This information is subject to change. The part numbers that TE has identified as EU RoHS compliant have a maximum concentration of 0.1% by weight in homogenous materials for lead, hexavalent chromium, mercury, PBB, PBDE, DBP, BBP, DEHP, DIBP, and 0.01% for cadmium, or qualify for an exemption to these limits as defined in the Annexes of Directive 2011/65/EU (RoHS2). Finished electrical and electronic equipment products will be CE marked as required by Directive 2011/65/EU. Components may not be CE marked. Additionally, the part numbers that TE has identified as EU ELV compliant have a maximum concentration of 0.1% by weight in homogenous materials for lead, hexavalent chromium, and mercury, and 0.01% for cadmium, or qualify for an exemption to these limits as defined in the Annexes of Directive 2000/53/EC (ELV). Regarding the REACH Regulation, the information TE provides on SVHC in articles for this part number is based on the latest European Chemicals Agency (ECHA) 'Guidance on requirements for substances in articles' posted at this URL: <https://echa.europa.eu/guidance-documents/guidance-on-reach>

### Compatible Parts



TE Part # 5-1437710-6  
NP1TA-00R2XX=CONN. 2W MALE  
WAT



TE Part # 2-1437712-2  
MP1NA-1008XX=CONN. 8W FEMA  
BLK

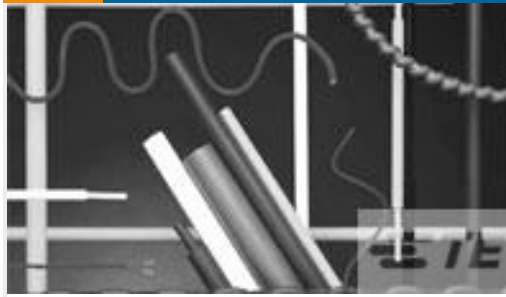
### Customers Also Bought



TE Part #1379674-1  
4W TAB HSG CODING 1 BLACK



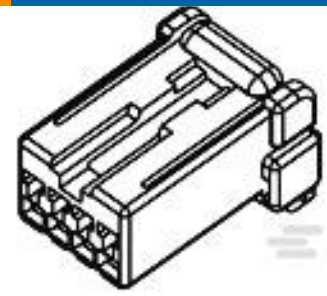
TE Part #1394132-1  
BLINDSTOPFEN F.D3,6



TE Part #8270294001  
CGPT-18/6-2-SP



TE Part #DTM06-12SA-E007  
PLG, 12P, GRY, N, XCAP, A



TE Part #174966-2  
040 MLC PLUG HSG 4P BLACK



TE Part #1564324-1  
AMP MCP 1.5K, CONTACT, SWS



TE Part #1-456404-6  
CRIMPER WIRE .070 F



TE Part #2-1437712-5  
NP1WA-0002XX=CONN. 2W FEMA  
BLK



## Documents

### Product Drawings

[106099=GROMMET BLACK](#)

English

[106099=GROMMET BLACK](#)

English

### CAD Files

[3D PDF](#)

3D

Customer View Model

[ENG\\_CVM\\_CVM\\_1-1437713-1\\_A.2d\\_dxf.zip](#)

English

Customer View Model

[ENG\\_CVM\\_CVM\\_1-1437713-1\\_A.3d\\_igs.zip](#)

English

Customer View Model

[ENG\\_CVM\\_CVM\\_1-1437713-1\\_A.3d\\_stp.zip](#)

English

By downloading the CAD file I accept and agree to the [Terms and Conditions](#) of use.