

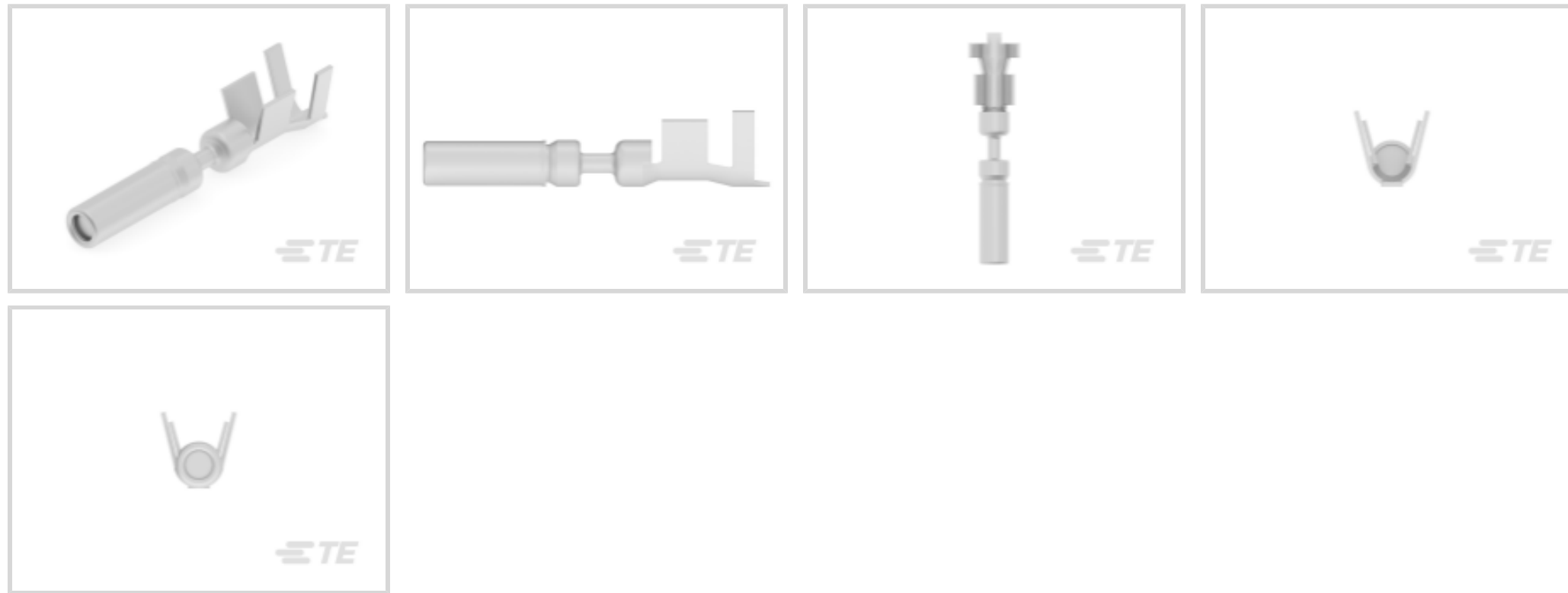


TE Internal #: 1-1437709-6

Automotive Terminals, Socket, Pin Diameter 1.54 mm [.061 in], 15 – 13 AWG Wire Size, 1.5 – 2.5 mm² Wire Size, Sealable, Single Wire Seal (SWS)

[View on TE.com >](#)

Terminals & Splices > Automotive Terminals



Terminal Type: **Socket**

Mating Pin Diameter: **1.54 mm [.061 in]**

Terminal Transmits: **0 – 24 A (Low Power)**

Wire Size: **1.5 – 2.5 mm²**

Features

Product Type Features

Sealable	Yes
Primary Locking Feature	Clean Body

Body Features

Terminal Seal Type	Single Wire Seal (SWS)
--------------------	------------------------

Contact Features

Contact Size	1.6mm
Contact Fabrication	Stamped & Formed
Crimp Type	F-Crimp
Terminal Type	Socket
Mating Pin Diameter	1.54 mm [.061 in]
Interface Plating	Tin (Sn)

Termination Features

Termination Method to Wire & Cable	Crimp
Product Terminates To	Wire

Dimensions



Wire Size	1.5 – 2.5 mm ²
Wire Size Search	13 AWG, 14 AWG, 15 AWG

Usage Conditions

Insulation Option	Uninsulated
Operating Temperature (Max)	80 °C, 85 °C, 90 °C, 100 °C, 105 °C, 110 °C, 120 °C, 125 °C, 130 °C [176 °F][185 °F][194 °F][212 °F][221 °F][230 °F][248 °F][257 °F][266 °F]
Operating Temperature Range	-40 – 130 °C [-40 – 266 °F]

Packaging Features

Packaging Quantity	4000
Packaging Method	Reel

Other

Terminal Transmits	0 – 24 A (Low Power)
--------------------	----------------------

Product Compliance

[For compliance documentation, visit the product page on TE.com>](#)

EU RoHS Directive 2011/65/EU	Compliant
EU ELV Directive 2000/53/EC	Compliant
China RoHS 2 Directive MIIT Order No 32, 2016	No Restricted Materials Above Threshold
EU REACH Regulation (EC) No. 1907/2006	Current ECHA Candidate List: JUNE 2023 (235) Candidate List Declared Against: JUL 2021 (219) Does not contain REACH SVHC
Halogen Content	Low Halogen - Br, Cl, F, I < 900 ppm per homogenous material. Also BFR/CFR/PVC Free
Solder Process Capability	Not reviewed for solder process capability

Product Compliance Disclaimer

This information is provided based on reasonable inquiry of our suppliers and represents our current actual knowledge based on the information they provided. This information is subject to change. The part numbers that TE has identified as EU RoHS compliant have a maximum concentration of 0.1% by weight in homogenous materials for lead, hexavalent chromium, mercury, PBB, PBDE, DBP, BBP, DEHP, DIBP, and 0.01% for cadmium, or qualify for an exemption to these limits as defined in the Annexes of Directive 2011/65/EU (RoHS2). Finished electrical and electronic equipment products will be CE marked as required by Directive 2011/65/EU. Components may not be CE marked. Additionally, the part numbers that TE has identified as EU ELV compliant have a maximum concentration of 0.1% by weight in homogenous materials for lead, hexavalent chromium, and mercury, and 0.01% for cadmium, or qualify for an exemption to these limits as defined in the Annexes of Directive 2000/53/EC (ELV). Regarding the REACH Regulation, the information TE provides on SVHC in articles for this part number is based on the latest European Chemicals Agency (ECHA) 'Guidance on

requirements for substances in articles' posted at this URL: <https://echa.europa.eu/guidance-documents/guidance-on-reach>

Compatible Parts



TE Part # 5-1437710-5
NP1TA-0002XX=CONN. 2W MALE WAT



TE Part # 5-1437710-6
NP1TA-00R2XX=CONN. 2W MALE WAT



TE Part # 4-1437710-1
MP1KA-10R6XX=CONN. 6W MALE WAT



TE Part # 5-1437710-8
NP1TA-0AR2XX=CONN. 2W MALE NOW



TE Part # 8-1437710-5
NP1VA-00R4XX=CONN. 4W MALE WAT



TE Part # 1437710-5
106025=CONN. 8W MALE TYPE 'G'



TE Part # 7-1437710-9
NP1UA-0AR3XX=CONN. 3W MALE NOW

Customers Also Bought



TE Part #1-1670921-1
5POS, MCON 1.2 LL REC SEALED



TE Part #154717-3
PL 250 REC TERMINAL 14-11 AWG TPBR



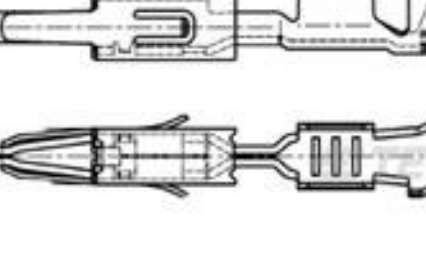
TE Part #2-967616-1
6POS MQS REC SEALED COD B



TE Part #1456985-3
1X6 Fem unsealed low profile assy Key C



TE Part #638652-1
RECEPT,1.5MM,TIN 14-16AWG RD=1



TE Part #1241732-2
MT3 REC 1.6 Contact SRC Sn



TE Part #184207-1
2 POS. PLUG ASSY, KEY J



TE Part #1-1924067-1
2POS, MCON 1.2 CB REC 2p TL SEALED



Documents

Product Drawings

[106019/106020=TERMINAL FEM. CR](#)

English

CAD Files

[3D PDF](#)

3D

Customer View Model

[ENG_CVM_CVM_1-1437709-6_B.2d_dxf.zip](#)

English

Customer View Model

[ENG_CVM_CVM_1-1437709-6_B.3d_igs.zip](#)

English

Customer View Model

[ENG_CVM_CVM_1-1437709-6_B.3d_stp.zip](#)

English

By downloading the CAD file I accept and agree to the [Terms and Conditions](#) of use.

Product Specifications

[Application Specification](#)

English

[APPLICATION SPECIFICATION FOR 1,6mm CIRCULAR CONTACT SYSTEM](#)

English