

1-111504-7 ✓ ACTIVE



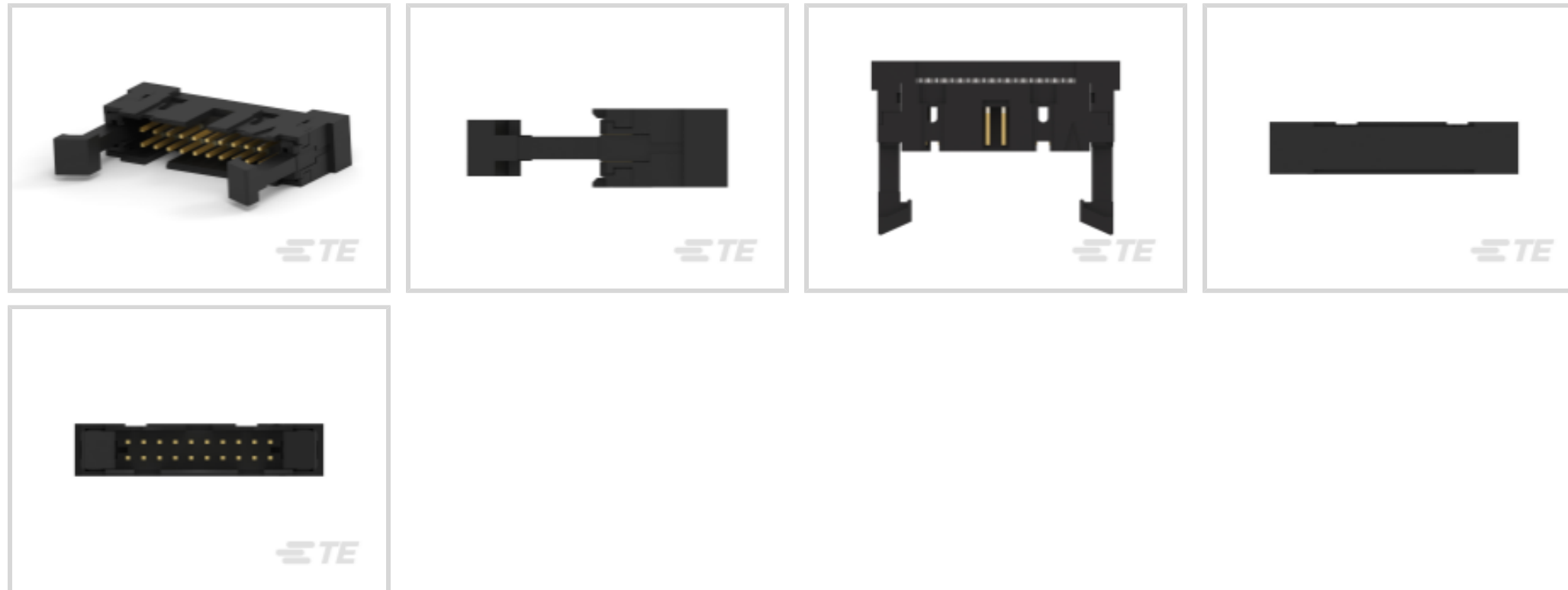
AMP-LATCH

TE Internal #: 1-111504-7

Ribbon Cable Connectors, Wire-to-Wire, 20 Position, 2.54 mm [.1 in] Centerline, 2 Row, Plug, Low Profile, Keyed Mating Alignment Type

[View on TE.com >](#)

Connectors > PCB Connectors > Wire-to-Board Connectors > FFC, FPC & Ribbon Connectors > Ribbon Cable Connectors



Connector System: **Wire-to-Wire**

Number of Positions: **20**

Centerline (Pitch): **2.54 mm [.1 in]**

PCB Mount Retention: **Without**

Row-to-Row Spacing: **2 mm [.1 in]**

Features

Product Type Features

| | |
|------------------------------------|--------------------|
| Ribbon Cable Connector Header Type | Shrouded |
| Connector Product Type | Connector Assembly |
| Connector System | Wire-to-Wire |
| Connector & Housing Type | Plug |
| Connector & Contact Terminates To | Wire & Cable |

Configuration Features

| | |
|---------------------|----|
| Number of Positions | 20 |
| Number of Rows | 2 |

Electrical Characteristics

| | |
|-----------------------|-----------------|
| Insulation Resistance | 5000 M Ω |
| Operating Voltage | 250 VAC |

Body Features

| | |
|-----------------------|---------|
| Daisy Chain | Without |
| Primary Product Color | Black |



| | |
|-------------------|-----|
| Connector Profile | Low |
|-------------------|-----|

Contact Features

| | |
|--|--|
| Contact Mating Area Length | 6.1 mm[.24 in] |
| Mating Square Post Dimension | .64 mm[.025 in] |
| Contact Type | Pin |
| Wire Contact Termination Area Plating Thickness | 2.54 μ m[100 μ in] |
| Wire Contact Termination Area Plating Material | Tin |
| Contact Mating Area Plating Material Thickness | .76 μ m[29.92 μ in][30 μ in] |
| PCB Contact Termination Area Plating Material Finish | Matte |
| Contact Shape & Form | Tuning Fork |
| PCB Contact Termination Area Plating Material | Tin |
| Contact Base Material | Phosphor Bronze |
| Contact Current Rating (Max) | 1 A |

Termination Features

| | |
|------------------------------------|-------------------------------|
| Termination Post & Tail Length | 3.3 mm[.13 in] |
| Termination Method to Wire & Cable | Insulation Displacement (IDC) |

Mechanical Attachment

| | |
|-------------------------|----------------------------|
| Mating Alignment | With |
| Panel Mount Feature | Without |
| PCB Mount Retention | Without |
| Mating Alignment Type | Keyed |
| Mating Retention | With |
| Mating Retention Type | Ejection Latch |
| Connector Mounting Type | Cable Mount (Free-Hanging) |

Housing Features

| | |
|--------------------|----------------|
| Housing Material | Thermoplastic |
| Centerline (Pitch) | 2.54 mm[.1 in] |

Dimensions

| | |
|------------------------|--------------------|
| Shrouded End Dimension | 3.81 mm[.15 in] |
| Connector Length | 39.93 mm[1.572 in] |
| Connector Height | 27.81 mm[1.095 in] |
| Connector Width | 8.38 mm[.33 in] |



| | |
|--------------------------------------|-------------------------------|
| Wire Size | .08 – .15 mm ² |
| Compatible Insulation Diameter Range | .81 – .97 mm [.032 – .038 in] |
| Row-to-Row Spacing | 2 mm [.1 in] |

Usage Conditions

| | |
|-----------------------------|-----------------------------|
| Operating Temperature Range | -65 – 105 °C [-85 – 221 °F] |
|-----------------------------|-----------------------------|

Operation/Application

| | |
|---------------------|--------|
| Circuit Application | Signal |
|---------------------|--------|

Industry Standards

| | |
|------------------------|-----------------------|
| UL Rating | Recognized |
| Agency/Standard | CSA, UL |
| Approved Standards | CSA LR7189, UL E28476 |
| UL Flammability Rating | UL 94V-0 |

Packaging Features

| | |
|--------------------|------------------|
| Packaging Quantity | 40 |
| Packaging Method | Box & Tray, Tray |

Product Compliance

[For compliance documentation, visit the product page on TE.com>](#)

| | |
|---|---|
| EU RoHS Directive 2011/65/EU | Compliant |
| EU ELV Directive 2000/53/EC | Compliant |
| China RoHS 2 Directive MIIT Order No 32, 2016 | No Restricted Materials Above Threshold |
| EU REACH Regulation (EC) No. 1907/2006 | Current ECHA Candidate List: JUNE 2023 (235) Candidate List Declared Against: JUNE 2023 (235) Does not contain REACH SVHC |
| Halogen Content | Not Low Halogen - contains Br or Cl > 900 ppm. |
| Solder Process Capability | Not applicable for solder process capability |

Product Compliance Disclaimer

This information is provided based on reasonable inquiry of our suppliers and represents our current actual knowledge based on the information they provided. This information is subject to change. The part numbers that TE has identified as EU RoHS compliant have a maximum concentration of 0.1% by weight in homogenous materials for lead, hexavalent chromium, mercury, PBB, PBDE, DBP, BBP, DEHP, DIBP, and 0.01% for cadmium, or qualify for an exemption to these limits as defined in the Annexes of Directive 2011/65/EU (RoHS2). Finished electrical and electronic equipment products will be CE marked as required by Directive 2011/65/EU. Components may not be CE marked. Additionally, the part numbers that TE has identified as EU ELV compliant have a maximum concentration of 0.1% by weight in homogenous

materials for lead, hexavalent chromium, and mercury, and 0.01% for cadmium, or qualify for an exemption to these limits as defined in the Annexes of Directive 2000/53/EC (ELV). Regarding the REACH Regulation, the information TE provides on SVHC in articles for this part number is based on the latest European Chemicals Agency (ECHA) 'Guidance on requirements for substances in articles' posted at this URL: <https://echa.europa.eu/guidance-documents/guidance-on-reach>

Compatible Parts



TE Part # 499252-2
020 STRAIN RELIEF A-L RCPT



TE Part # CAT-AM71-A85022
Female Socket Connectors: Strain Relief



TE Part # 1658620-4
20 NOVO MIL 15DP, LEAD FREE



TE Part # 1-1658526-2
609-2030LF FEM SOCKET, LEAD FREE



TE Part # 1658621-4
20 NOVO MIL/CTR 15DP, LEAD FREE



TE Part # 1-1658526-3
609-2041LF FEM SOCKET, LEAD FREE



TE Part # 1658622-4
20 NOVO MIL/CTR 30DP, LEAD FREE



TE Part # 1658623-4
20 NOVO MIL 30DP, LEAD FREE



TE Part # 1658624-4
20 NOVO DUAL 30DP, LEAD FREE



TE Part # 2-1658527-3
622-2030LF=FSKT IDC S 20 30AU



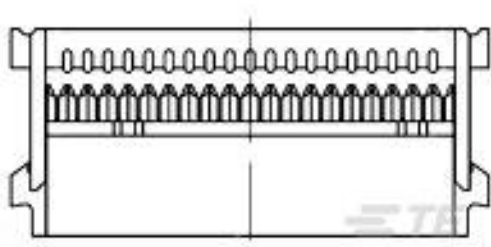
TE Part # 1658528-4
636-2041LF FEM SOCKET, LEAD FREE



TE Part # 1658527-8
622-2041LF FEM SOCKET, LEAD FREE

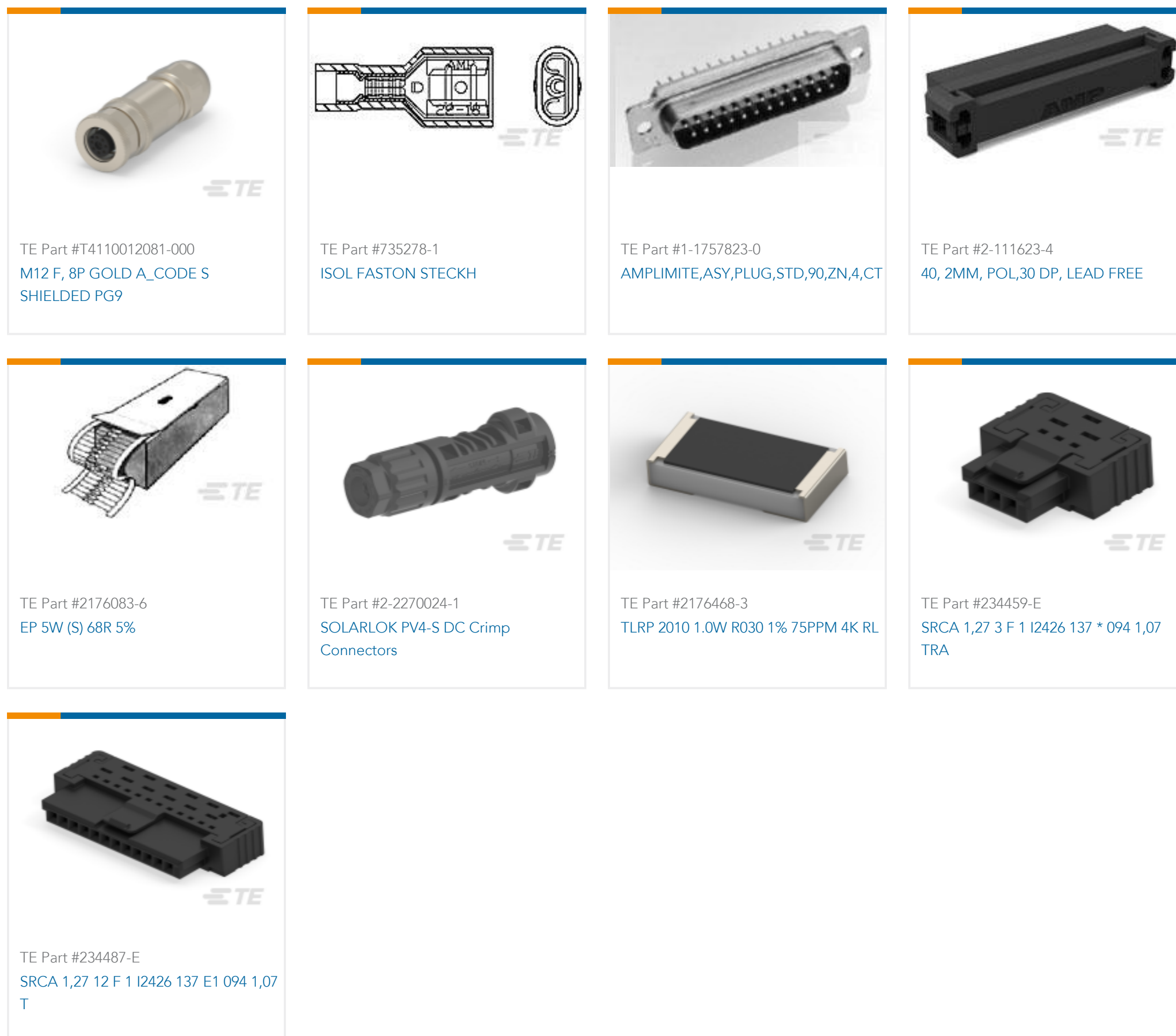


TE Part # 1-1658528-5
636-2030LF=FEM SKT BLADE POL 1



TE Part # 3-1658526-0
609-2000MLF=FSKT IDC S 20 30AU

Customers Also Bought



Documents

Product Drawings

020 UNIV I/O 30DP NO EARS LTCH

English

CAD Files

Customer View Model

[ENG_CVM_CVM_1-111504-7_K.2d_dxf.zip](#)

English

3D PDF

3D

Customer View Model

[ENG_CVM_CVM_1-111504-7_K.3d_igs.zip](#)

English

Customer View Model

[ENG_CVM_CVM_1-111504-7_K.3d_stp.zip](#)

English

By downloading the CAD file I accept and agree to the [Terms and Conditions](#) of use.

Datasheets & Catalog Pages



[Ribbon Cable Interconnect Solutions](#)

English

[Product Specifications](#)

[Application Specification](#)

English

[Instruction Sheets](#)

[Removal Tool for Universal Header Latches](#)

English

[Instruction Sheet \(U.S.\)](#)

English

[Agency Approvals](#)

[Agency Approval Document](#)

English