

1-100526-4 ✓ ACTIVE

Z-PACK | Z-PACK 2mm HM

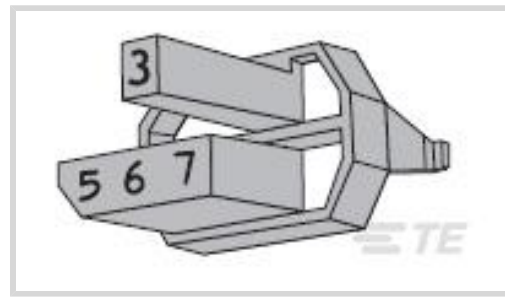
TE Internal #: 1-100526-4

Z-PACK 2mm HM, Backplane Coding Keys, Receptacle, Coding Key Number 3457

[View on TE.com >](#)



Connectors > PCB Connectors > Backplane Connectors > Backplane Coding Keys



Applied to Connector Style: **Receptacle**

Coding Key Number: **3457**

Features

Body Features

Coding Key Color	Olive Yellow
------------------	--------------

Usage Conditions

Compatible With Backplane Connector Type	Type A, Type D, Type L, Type M
--	--------------------------------

Applied to Connector Style	Receptacle
----------------------------	------------

Packaging Features

Packaging Quantity	500
--------------------	-----

Packaging Method	Bag
------------------	-----

Other

Coding Key Number	3457
-------------------	------

Product Compliance

[For compliance documentation, visit the product page on TE.com>](#)

EU RoHS Directive 2011/65/EU	Compliant
------------------------------	-----------

EU ELV Directive 2000/53/EC	Compliant
-----------------------------	-----------

China RoHS 2 Directive MIIT Order No 32, 2016	No Restricted Materials Above Threshold
---	---

EU REACH Regulation (EC) No. 1907/2006	Current ECHA Candidate List: JUN 2020 (209) Candidate List Declared Against: JUN 2018 (191) Does not contain REACH SVHC
--	---

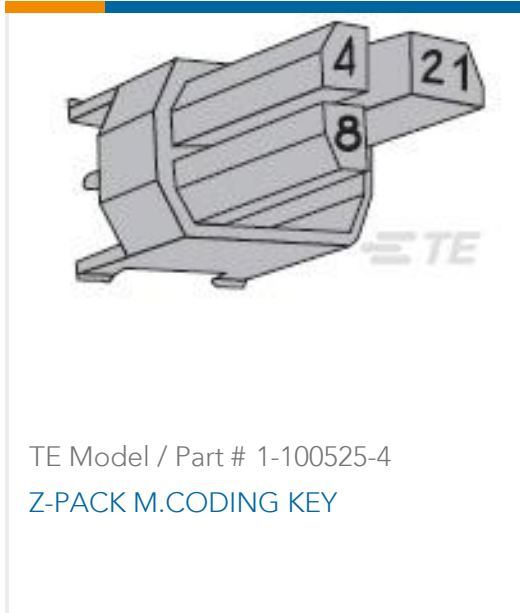
Halogen Content	Not Low Halogen - contains Br or Cl > 900 ppm.
-----------------	--

Solder Process Capability	Not applicable for solder process capability
---------------------------	--

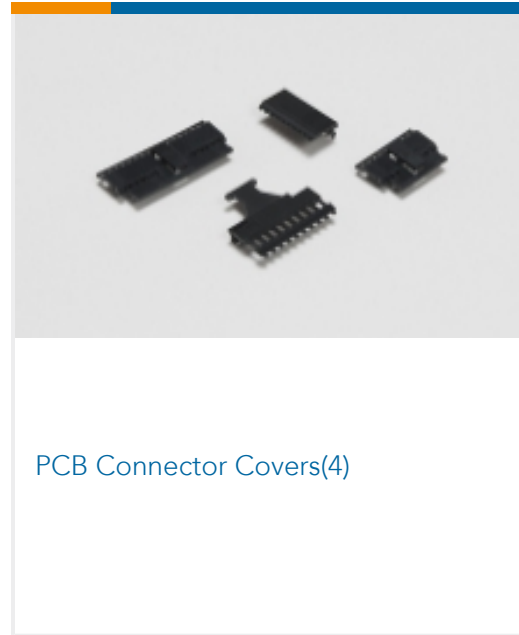
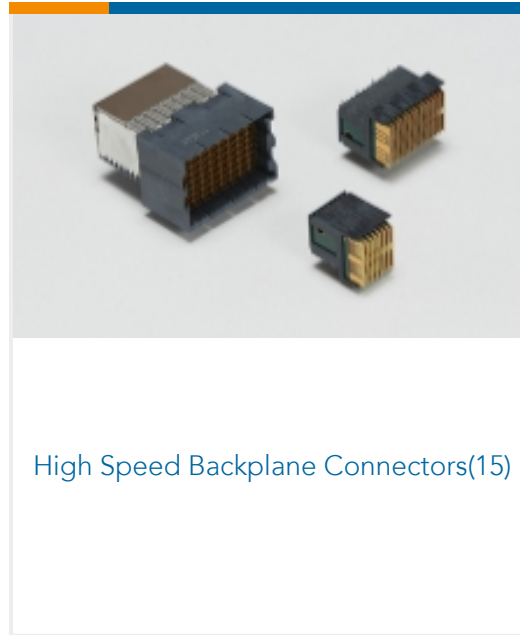
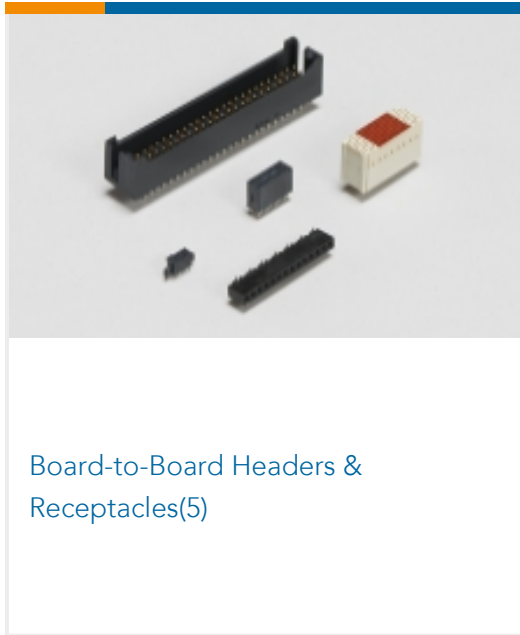
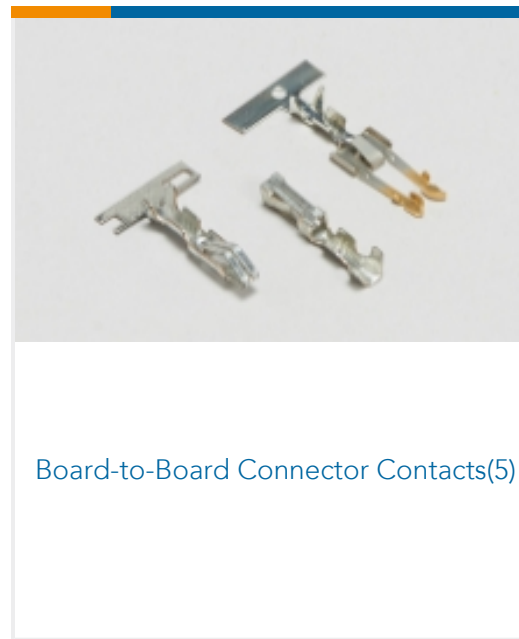
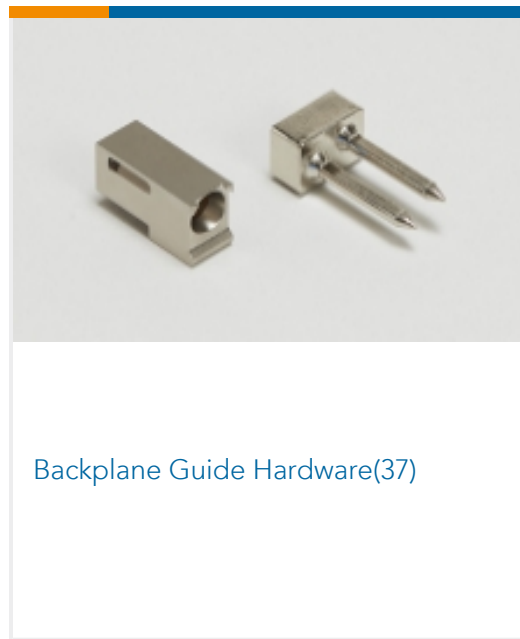
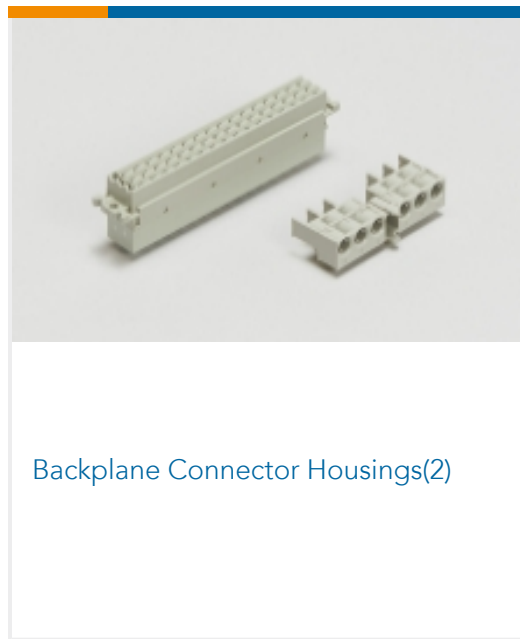
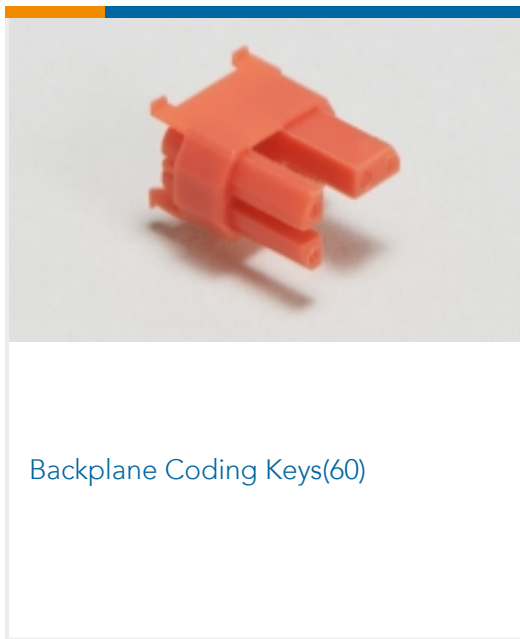
Product Compliance Disclaimer

This information is provided based on reasonable inquiry of our suppliers and represents our current actual knowledge based on the information they provided. This information is subject to change. The part numbers that TE has identified as EU RoHS compliant have a maximum concentration of 0.1% by weight in homogenous materials for lead, hexavalent chromium, mercury, PBB, PBDE, DBP, BBP, DEHP, DIBP, and 0.01% for cadmium, or qualify for an exemption to these limits as defined in the Annexes of Directive 2011/65/EU (RoHS2). Finished electrical and electronic equipment products will be CE marked as required by Directive 2011/65/EU. Components may not be CE marked. Additionally, the part numbers that TE has identified as EU ELV compliant have a maximum concentration of 0.1% by weight in homogenous materials for lead, hexavalent chromium, and mercury, and 0.01% for cadmium, or qualify for an exemption to these limits as defined in the Annexes of Directive 2000/53/EC (ELV). Regarding the REACH Regulation, the information TE provides on SVHC in articles for this part number is based on the latest European Chemicals Agency (ECHA) 'Guidance on requirements for substances in articles' posted at this URL: <https://echa.europa.eu/guidance-documents/guidance-on-reach>

Compatible Parts



Also in the Series | Z-PACK 2mm HM

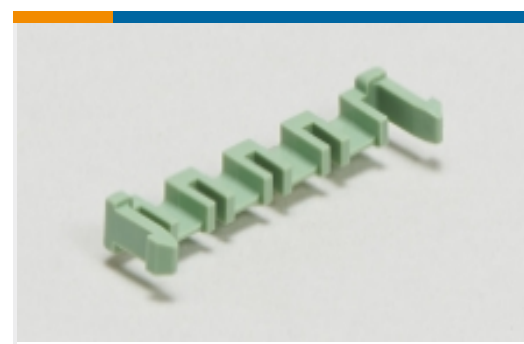




PCB Connector Shrouds(42)



PCB Ferrules & Shields(19)



PCB Latches, Locks & Retainers(1)



Rectangular Power Connectors(87)

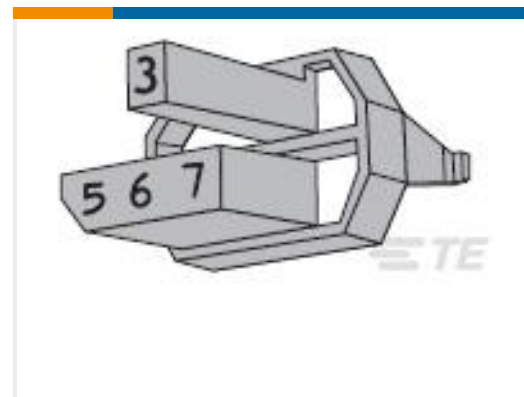
Customers Also Bought



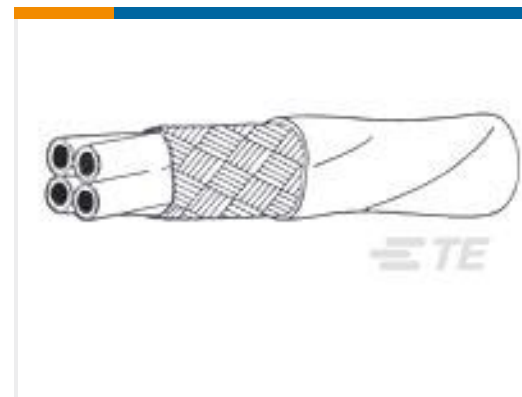
TE Model / Part #T1932240000-009
H24BPR-AGC-EMC-C



TE Model / Part #T0931006527-000
CODING-PIN-M3-LTF



TE Model / Part #100526-5
Z-PACK F.CODING KEY



TE Model / Part #384306-002
44A1141-20-3/5/6/9-9



TE Model / Part #3755813001
100G0111-1.5-OCK0042



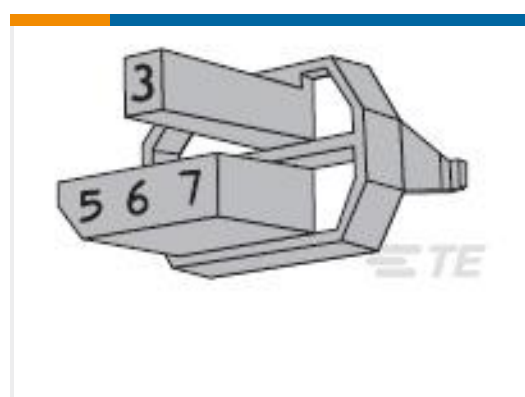
TE Model / Part #9124733001
100G0111-1.00-OCK0042



TE Model / Part #9312523001
100G0111-0.25-OCK0042



TE Model / Part #8354103001
100G1161-0.4-A069CK0042



TE Model / Part #3-100526-5
Z-PACK F.CODING KEY

Documents

[Product Drawings](#)
[Z-PACK F.CODING KEY](#)

English

CAD Files

[3D PDF](#)

3D

[Customer View Model](#)

[ENG_CVM_CVM_1-100526-4_E.2d_dxf.zip](#)



English

Customer View Model

[ENG_CVM_CVM_1-100526-4_E.3d_igs.zip](#)

English

Customer View Model

[ENG_CVM_CVM_1-100526-4_E.3d_stp.zip](#)

English

By downloading the CAD file I accept and agree to the [Terms and Conditions](#) of use.

Product Specifications

[Application Specification](#)

English