

1-100103-4 ✓ ACTIVE

AMP-LATCH | AMP-LATCH - NOVO

TE Internal #: 1-100103-4

Strain Relief Cover, Gray, Glass-Filled Nylon, 14 Position, AMP-LATCH - NOVO

[View on TE.com >](#)



Connectors > Connector Accessories > Connector Caps & Covers > Latch Connector: Strain Relief



Connector Cover Type: **Strain Relief Cover**

Primary Product Color: **Gray**

Primary Product Material: **Glass-Filled Nylon**

Number of Positions: **14**

[All Latch Connector: Strain Relief \(10\)](#)

## Features

### Product Type Features

Connector Cover Type	Strain Relief Cover
----------------------	---------------------

### Configuration Features

Number of Positions	14
---------------------	----

### Body Features

Primary Product Color	Gray
-----------------------	------

Primary Product Material	Glass-Filled Nylon
--------------------------	--------------------

### Dimensions

Product Length	22.38 mm
----------------	----------

### Packaging Features

Packaging Quantity	250
--------------------	-----

Packaging Method	Bag & Box
------------------	-----------

## Product Compliance

[For compliance documentation, visit the product page on TE.com>](#)

EU RoHS Directive 2011/65/EU	Compliant
EU ELV Directive 2000/53/EC	Compliant
China RoHS 2 Directive MIIT Order No 32, 2016	No Restricted Materials Above Threshold
EU REACH Regulation (EC) No. 1907/2006	Current ECHA Candidate List: JUNE 2024 (241) Candidate List Declared Against: JAN 2024 (240) Does not contain REACH SVHC
Halogen Content	Not Low Halogen - contains Br or Cl > 900 ppm.
Solder Process Capability	Not applicable for solder process capability

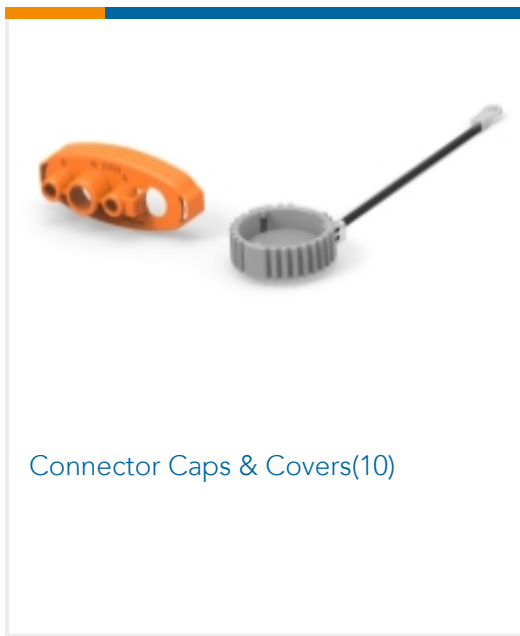
#### Product Compliance Disclaimer

This information is provided based on reasonable inquiry of our suppliers and represents our current actual knowledge based on the information they provided. This information is subject to change. The part numbers that TE has identified as EU RoHS compliant have a maximum concentration of 0.1% by weight in homogenous materials for lead, hexavalent chromium, mercury, PBB, PBDE, DBP, BBP, DEHP, DIBP, and 0.01% for cadmium, or qualify for an exemption to these limits as defined in the Annexes of Directive 2011/65/EU (RoHS2). Finished electrical and electronic equipment products will be CE marked as required by Directive 2011/65/EU. Components may not be CE marked. Additionally, the part numbers that TE has identified as EU ELV compliant have a maximum concentration of 0.1% by weight in homogenous materials for lead, hexavalent chromium, and mercury, and 0.01% for cadmium, or qualify for an exemption to these limits as defined in the Annexes of Directive 2000/53/EC (ELV). Regarding the REACH Regulation, the information TE provides on SVHC in articles for this part number is based on the latest European Chemicals Agency (ECHA) 'Guidance on requirements for substances in articles' posted at this URL: <https://echa.europa.eu/guidance-documents/guidance-on-reach>

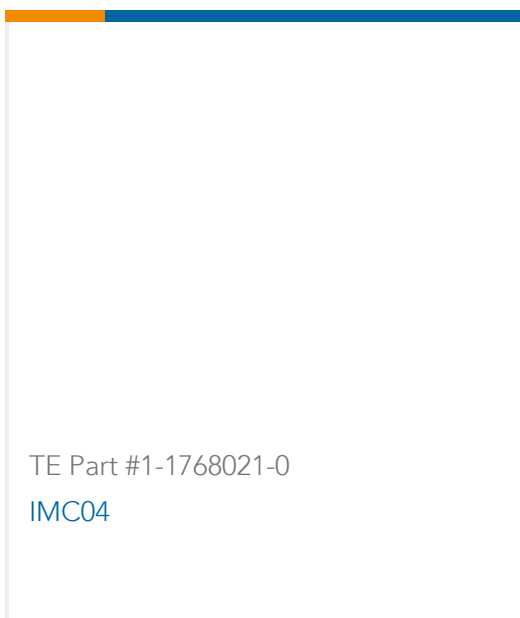
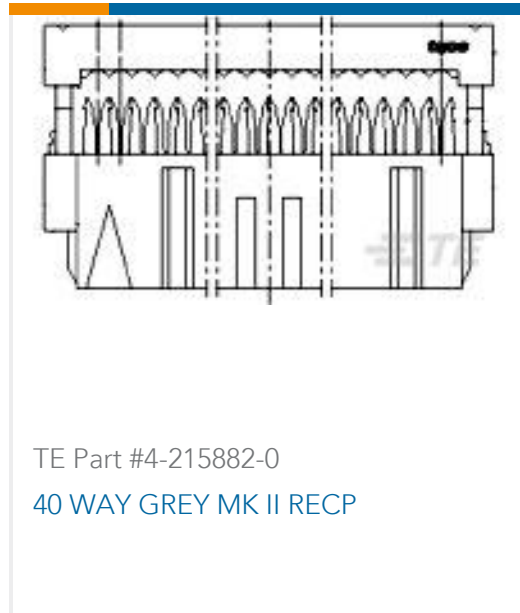
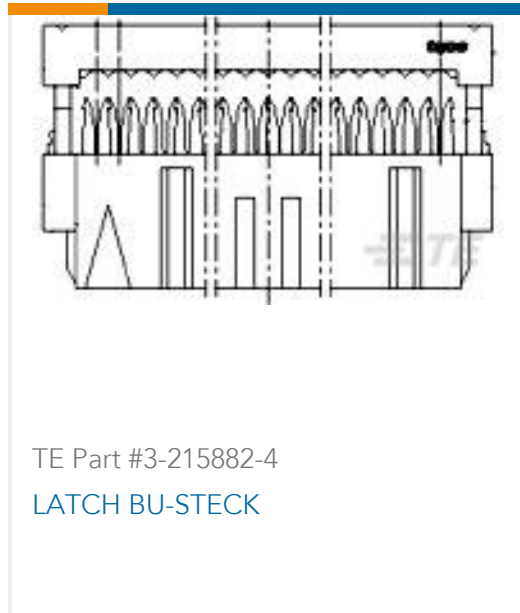
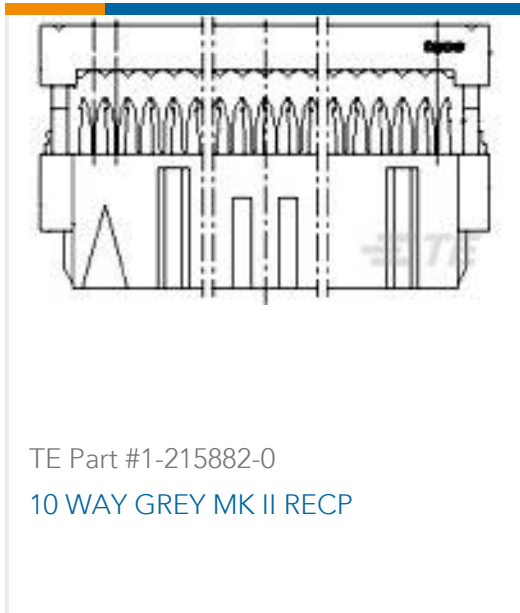
## Compatible Parts



Also in the Series | [AMP-LATCH - NOVO](#)



### Customers Also Bought



### Documents

**Product Drawings**  
[14P.A/L.STRAIN REL.](#)

English

**14P.A/L.STRAIN REL.**

English

### CAD Files

[3D PDF](#)

[3D](#)



**Customer View Model**

[ENG\\_CVM\\_CVM\\_1-100103-4\\_D.2d\\_dxf.zip](#)

English

**Customer View Model**

[ENG\\_CVM\\_CVM\\_1-100103-4\\_D.3d\\_igs.zip](#)

English

**Customer View Model**

[ENG\\_CVM\\_CVM\\_1-100103-4\\_D.3d\\_stp.zip](#)

English

By downloading the CAD file I accept and agree to the [Terms and Conditions](#) of use.