

### Mico Pro Power module

IN: 24 V DC / 40A, 16mm<sup>2</sup> / Cover plate included

Art.No.: 9000-41190-0000001

Weight: 0.132 kg

Country of origin: CZ

Model designation: Mico Pro PM 24VDC/40A lite

Mico Pro® PM 24 V DC/40 A

Cover plate included

Shock load

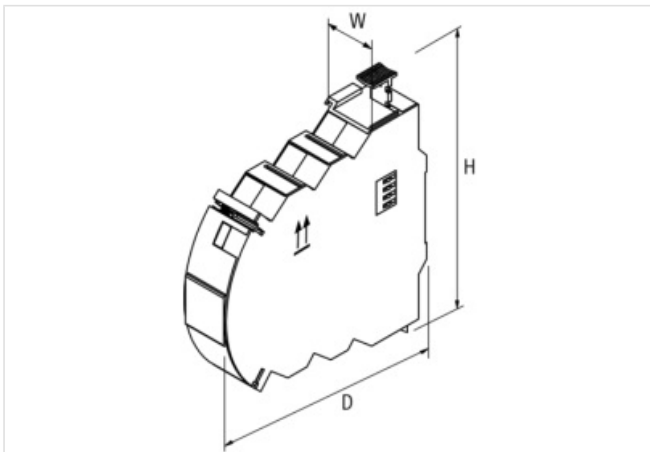
1/2 sin 30 g, 11 ms

Build your own Mico Pro® online:

[START](#)

### Link to Product

#### Illustration



Product may differ from Image



#### Commercial data

URL Webshop

<https://shop.murrelektronik.com/9000-41190-0000001>

GTIN	4048879830454
Customs tariff number	85363030
ECLASS-6.0	27371802
ECLASS-6.1	27371890
ECLASS-7.0	27371890
ECLASS-7.1	27371890
ECLASS-8.0	27371802
ECLASS-8.1	27371890
ECLASS-9.0	27371802
ECLASS-9.1	27371802
ECLASS-10.0.1	27371802
ECLASS-10.1	27371802
ECLASS-11.0	27371802
ECLASS-11.1	27371802
ECLASS-12.0	27371802
ECLASS-13.0	27371802
ECLASS-14.0	27371802
ETIM-5.0	EC001440
ETIM-6.0	EC001440
ETIM-7.0	EC001440
ETIM-8.0	EC001440
customs tariff number	85363030
EAN	4048879830454
Packaging unit	1
customs tariff number	85363030
EAN	4048879830454
Packaging unit	1

**Electrical data | Supply**

Total current max.	40 A
--------------------	------

**Electrical data | Input**

Input voltage DC min.	9 V
Input voltage DC max.	30 V
Nominal input voltage DC	12 V ... 24 V
Total current bridge set max.	40 A
ON input voltage control inputs min.	9 V
ON input voltage control inputs max.	30 V
CTRL signal	ON/OFF
CTRL input voltage control inputs high min.	9 V
CTRL input voltage control inputs high max.	30 V
ON pulse length control inputs high min.	120 ms

**Electrical data | Output**

Switching voltage AC max.	30 V
Switching voltage DC max.	30 V

**Installation**

Connection cross-section static min.	0,75 mm <sup>2</sup>
Connection cross section static max.	16 mm <sup>2</sup>
Connection cross-section dynamic min.	0,75 mm <sup>2</sup>
Connection cross section dynamic max.	16 mm <sup>2</sup>
AWG number static min.	4
AWG number static max.	20
AWG number dynamic min.	4
AWG number dynamic max.	20

**Installation | Connection**

The information in this Product-PDF has been compiled with the utmost care.  
Liability for the correctness completeness and topicality of the information is restricted to gross negligence. Version: 2026-05-22

Connection	Bridge system
<b>Device protection   Electrical</b>	
Degree of protection (EN IEC 60529)	IP20
<b>Device protection   Mechanical</b>	
Shock resistance (EN IEC 60068-2-27)	30 g 11 ms 1/2 sin
<b>Mechanical data   Mounting data</b>	
Height	130 mm
Width	24 mm
Depth	114 mm
Mounting method	geschnappt
Suitable for mounting type	Mounting rail TH35, (EN 60715)
<b>Environmental characteristics   Climatic</b>	
Operating temperature min.	-25 °C
Operating temperature max.	55 °C
Ambient temperature (storage, transport)	-40 °C ... 80 °C