

# LOW CURRENT HEV FUSE

RoHS



## Description

The LC HEV fuse is designed for protection of high-voltage accessory circuits in electric and hybrid electric vehicles.

## Specifications

Voltage Rating (10A, 15A, 20A, 30A):	450 VDC
Voltage Rating (40A):	425 VDC
Interrupting Rating (10A, 15A, 20A, 30A):	10kA @ 450 VDC
Interrupting Rating (40A):	10kA @ 425 VDC
Operating Temperature Range:	-40°C to +125°C

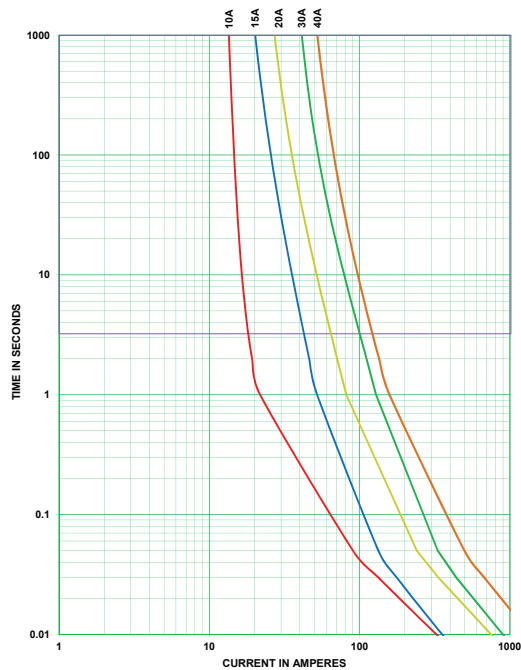
## Ordering Information

Part Number	Termination	Package Size
0HEVxxx.ZXC	Cartridge	225
0HEVxxx.ZXISO	Bolt Down (ISO)	168
0HEVxxx.ZXPY	Blade	144
0HEVxxx.ZXBD	Bolt Down (Axial)	144
0HEVxxx.ZXPCB	PCB Mount	168
0HEVxxx.ZXPCBL	PCB Mount (Long)	168

## Time-Current Characteristics

% of Rating	Opening Time Min / Max (s) 10A	Opening Time Min / Max (s) 15A, 20A, 30A	Opening Time Min / Max (s) 40A
100	100 hrs / -	100 hrs / -	100 hrs / -
110	4 hrs / -	4 hrs / -	-
135	100 / 3600	150 / 3600	150 / 3600
150	10 / 1000	10 / 1000	10 / 1000
200	0.5 / 100	0.5 / 100	0.5 / 100
300	0.1 / 15	0.1 / 15	0.1 / 15
500	0.05 / 1	0.05 / 1	0.05 / 1

## Time-Current Characteristic Curves



## Ratings

Part Number	Current Rating	Color Code	Typical Voltage Drop at 70% I <sub>R</sub>	Maximum Voltage Drop Spec at 100% IR	Typical Cold Resistance	Minimum Melting I <sup>2</sup> t
0HEV010.xxx	10A	Red	114 mV	300 mV	12.8 mOhm	255 A <sup>2</sup> s
0HEV015.xxx	15A	Blue	96 mV	200 mV	7.9 mOhm	133 A <sup>2</sup> s
0HEV020.xxx	20A	Yellow	79 mV	200 mV	5.0 mOhm	268 A <sup>2</sup> s
0HEV030.xxx	30A	Green	67 mV	200 mV	2.7 mOhm	993 A <sup>2</sup> s
0HEV040.xxx	40A	Orange	69 mV	200 mV	2.0 mOhm	1495 A <sup>2</sup> s

(Average Initial Measurements)

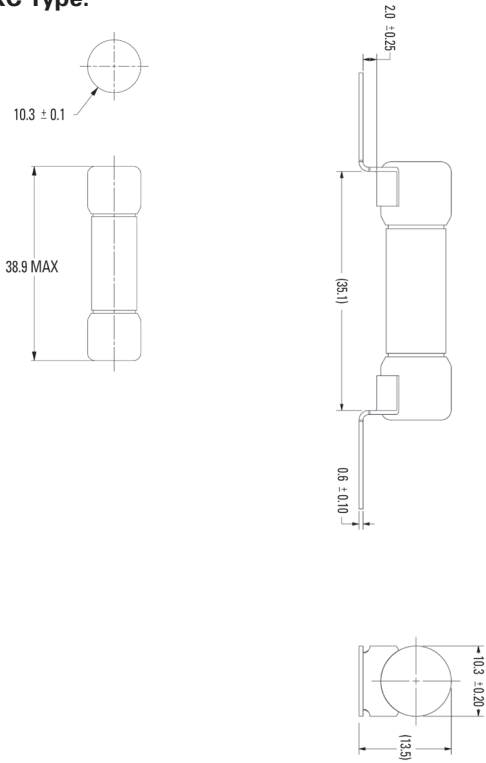
## LOW CURRENT HEV FUSE

RoHS

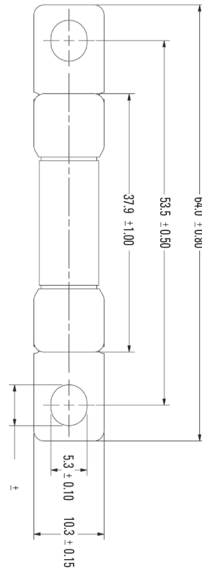
### Dimensions

Dimensions in mm

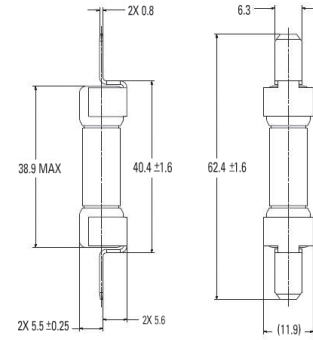
#### ZXC Type:



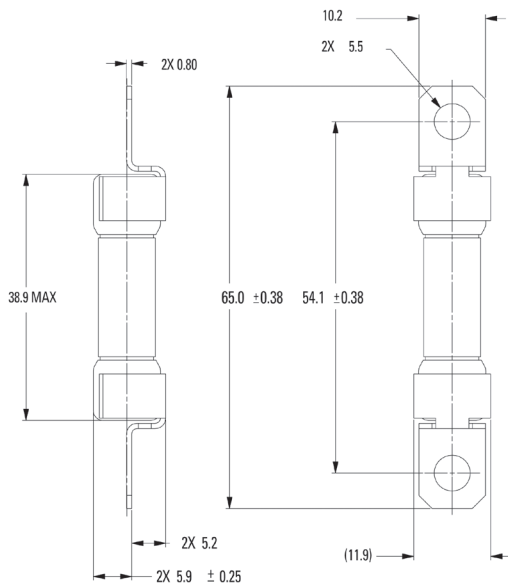
#### ZXISO Type:



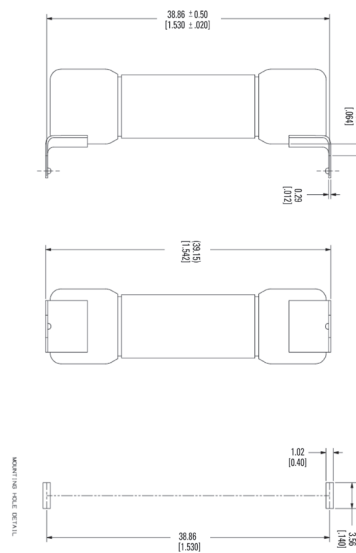
#### ZXPY Type:



#### ZXBD Type:



#### ZXPCB Type:



#### ZXPCBL Type:

