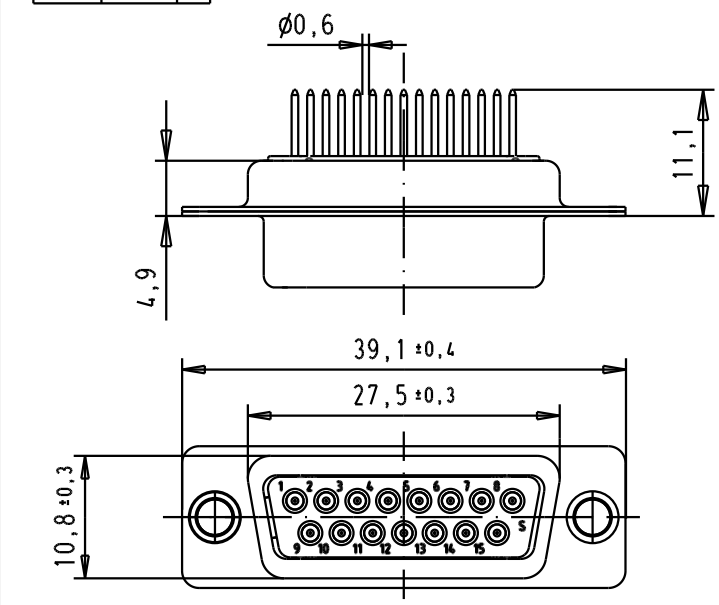
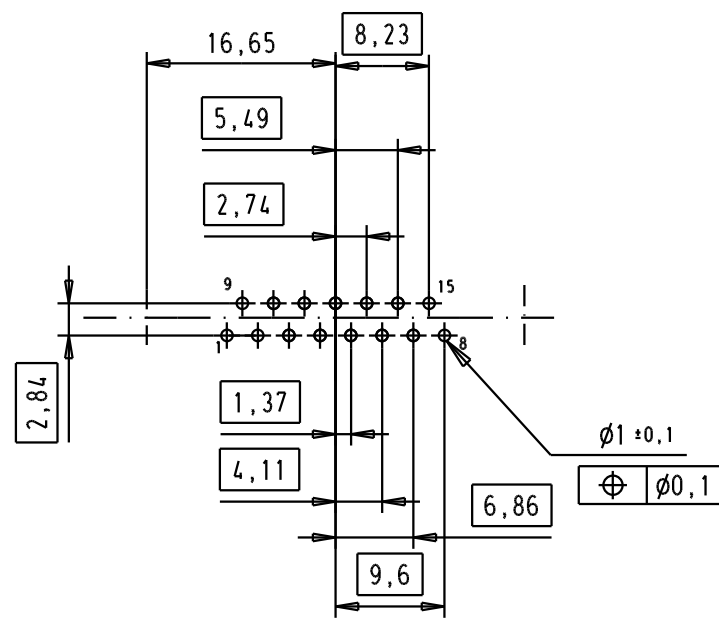


SPECIFICATION

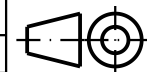

Mating Cycles	500
Filter type	C
Capacitance	47pf ± 20%
Working Voltage	100v
Current Rating	7,5A
Insulation Resistance	>1GΩ



PCB Layout
Component side



FREQUENCY (MHz)	ATTENUATION dB
5	-
10	-
50	-
100	-
500	30dB
1000	35dB

				Dat.	Name	 All Dim. in mm Orig. Size DIN A 4	D-Sub, female, straight, 15 Poles, turned solder pins, tin plated shell with holes	Mo?MsLab/ Scale 1.5:1
			Detail.	8-JUL-02	CV			
			Insp.					
			Stand.					
33250	03/11/05	JMDR	HARTING EURL				TB 09642127210	Blatt / Page 1 / 1
31058	8-JUL-02	CV	F-95972 Paris					
Mod.	Dat.	Name						

D
C
B
A