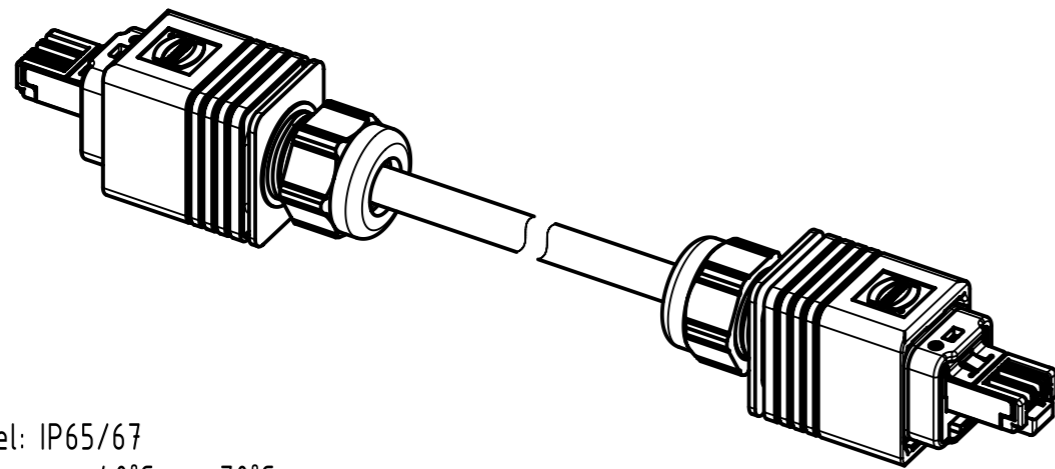
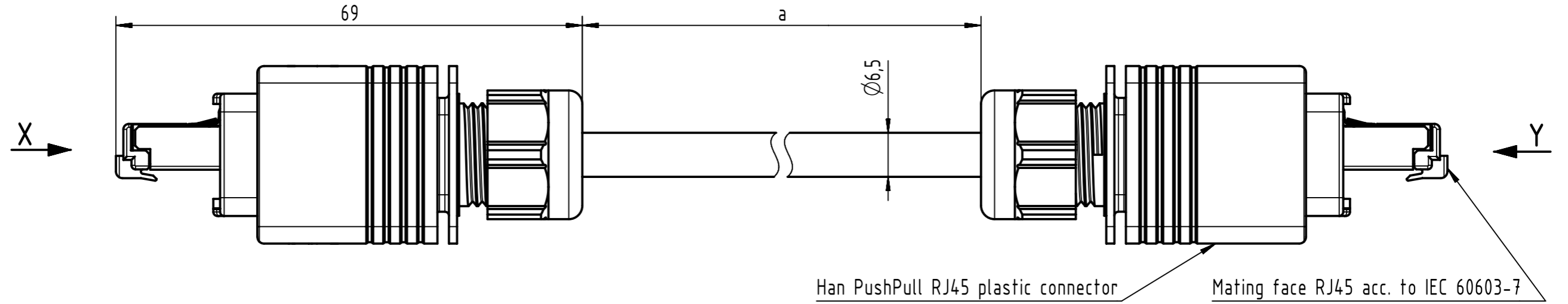


Connector Location A

Connector Location B

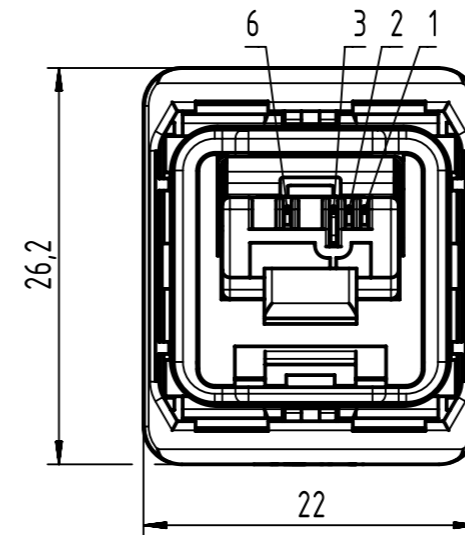


- Protection level: IP65/67
- Temperature range: -40°C ... +70°C

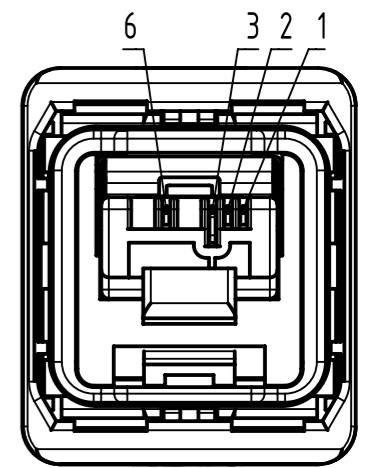
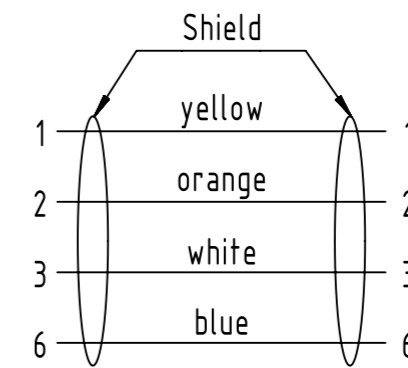
22	094 75555022	RJ45 Ethernet standard cable, AWG22/1, 2x2x0.64, PVC, Cat. 5+, green	100
21	094 75555021		90
20	094 75555020		80
19	094 75555019		70
18	094 75555018		60
17	094 75555017		50
16	094 75555016		40
15	094 75555015		30
14	094 75555014		20
13	094 75555013		15
12	094 75555012		10
11	094 75555011		9
10	094 75555010		8
9	094 75555009		7
8	094 75555008		6
7	094 75555007		5
6	094 75555006		4
5	094 75555005		3
4	094 75555004		2
3	094 75555003		1.5
2	094 75555002		1
1	094 75555001		0.5
Cont. no.	Part no.	Type of cable	Dim. a[m]

X male

Y male



Loading-Plan



	All rights reserved	Created by STOCHECIC	Inspected by COSTEA	Standardisation MUNTEANV	Date 2018-07-18	State Final Release
	Department HCS - RO	Title RJ Industrial Cable Assembly			Doc-Key / ECM-Nr. 100155398/UGD/004/C 500000137411	
HARTING Customised Solutions D-32339 Espelkamp	Type TB	Number 094 75555XXX			Rev. C	Page 1/2

