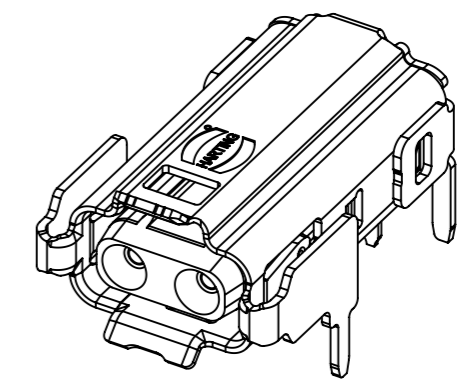
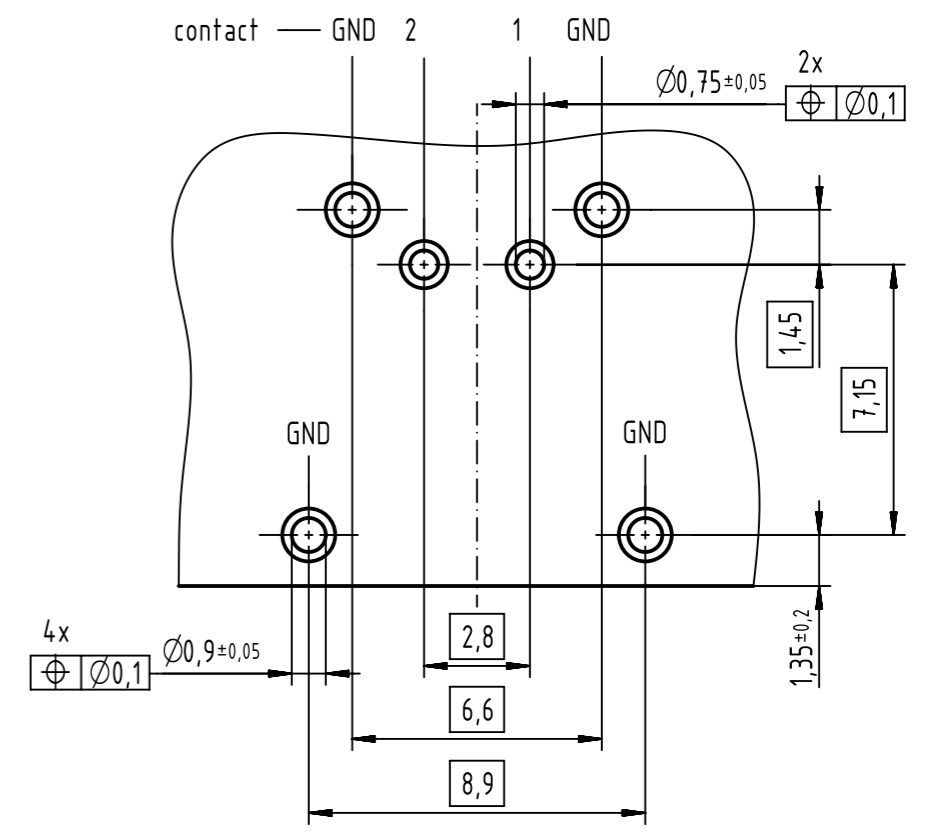


### A PCB layout



further information see DS 0945...

	All Dimensions in mm Original Size DIN A3		Scale 5:1	Free size tol.		Ref.
	All rights reserved Department EL PD		Created by LUETTERMANN	Inspected by	Standardisation	Date 2018-10-10
HARTING Electronics GmbH D-32339 Espelkamp		Title T1 Industrial jack AH IP20			Doc-Key / ECM-Nr. 100689697/UGD/003/C	
		Type TB	Number 09452812800		Rev. C	Page 1/1