

## Han TC70 Stiftkontakt 16sqmm

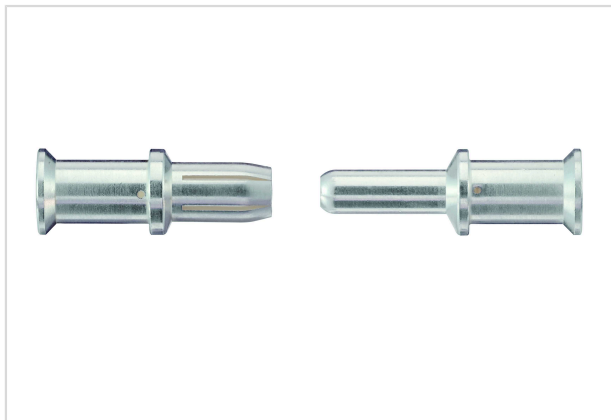


Image is for illustration purposes only. Please refer to product description.

Part number	09 11 000 6132
Specification	Han TC70 Stiftkontakt 16sqmm
HARTING eCatalogue	<a href="https://b2b.harting.com/09110006132">https://b2b.harting.com/09110006132</a>

### Identification

Category	Contacts
Series	TC 70
Type of contact	Crimp contact

### Version

Gender	Male
Manufacturing process	Turned contacts

### Technical characteristics

Conductor cross-section	16 mm <sup>2</sup>
Operating current	≤70 A
Contact resistance	≤0.5 mΩ
Limiting temperature	-40 ... +125 °C
Stripping length	15.5 mm
Mating cycles	≥500

### Material properties

Material (contacts)	Copper alloy
Surface (contacts)	Silver plated
RoHS	compliant with exemption
RoHS exemptions	6(c): Copper alloy containing up to 4 % lead by weight
ELV status	compliant with exemption
China RoHS	50



Pushing Performance

## Material properties

REACH Annex XVII substances	No
REACH ANNEX XIV substances	No
REACH SVHC substances	Yes
REACH SVHC substances	Lead

## Specifications and approvals

Specifications	EN 60664-1 IEC 61984
----------------	-------------------------

## Commercial data

Packaging size	10
Net weight	10.6 g
Country of origin	Germany
European customs tariff number	85366990
eCl@ss	27440204 Contact for industrial connectors