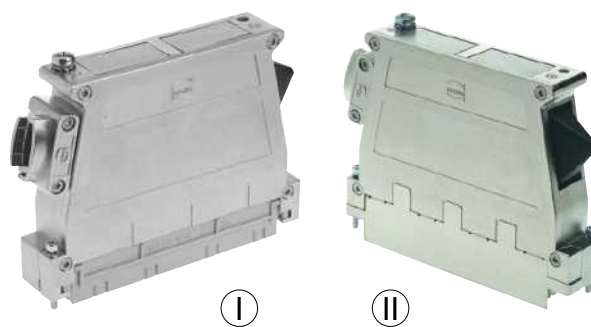


Shell housing D 20 metal for types F, H and MH



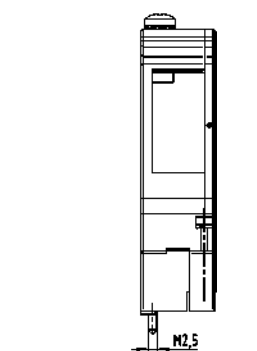
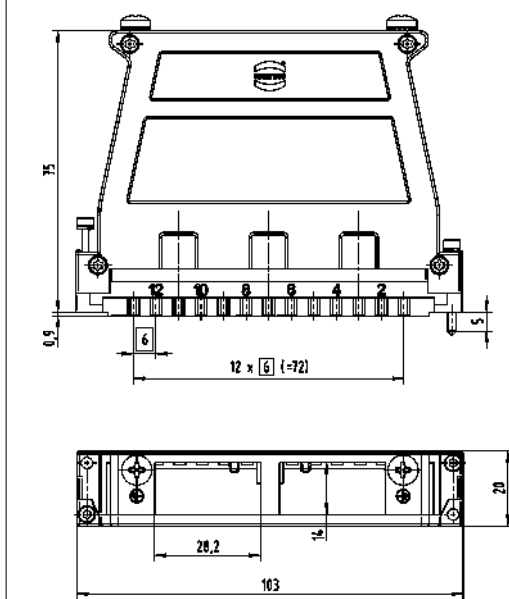
Identification Part number Drawing Dimensions in mm

Shell housing
D 20 metal

①

Supplied with:
Shell with coding 1x
Cover 1x
Locking screw
(hexagonal)
M2.5 x 23
(09 06 800 9953) 2x
Screw (torx)
M2.5 x 10
(09 06 800 9960) 4x
Earth screw
M4 x 8
(09 06 800 9958) 2x

09 06 848 0550



Shell housings

Shell housing
D 20 metal HF
with nickel-plated
surface

②

Supplied with:
Shell with coding
and HF-sealing spring 1x
Cover
with shielding plate 1x
Locking screw
(hexagonal)
M2.5 x 23
(09 06 800 9953) 2x
Screw (torx)
M2.5 x 10
(09 06 800 9960) 4x
Earth screw
M4 x 8
(09 06 800 9958) 2x

09 06 848 0551

