

# Product data sheet

## Subminiature connectors



Product description **Snap-In IP40 Male panel mount connector, Contacts: 5, unshielded, THT, IP40**

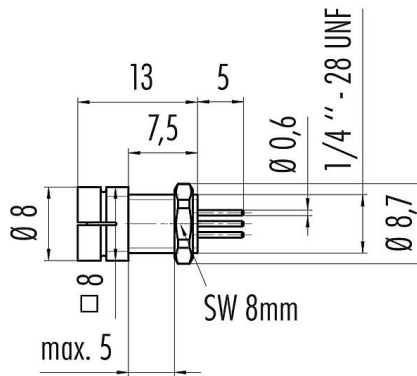
Area **Snap-In IP40 series 719 - 709**

Part no. **09 9791 20 05**

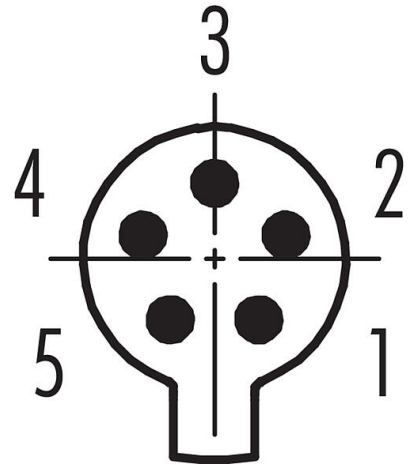
### Illustration



### Scale drawing



### Contact arrangement (Plug-in side)



You can find the component part drawing and assembly instructions on the next page.

### Technical data

#### General features

Part no.	<b>09 9791 20 05</b>
Connector design	Male panel mount connector
Version	Connector pin straight
Connector locking system	snap-in
Termination	THT
Degree of protection	IP40
Temperature range from/to	-25 °C / 70 °C
Mechanical operation	> 100 Mating cycles
Weight (g)	1.32
Customs tariff number	85369010

#### Electrical parameters

Rated voltage	60 V
Rated impulse voltage	800 V
Rated current (40 °C)	3,0 A
Insulation resistance	$\geq 10^{10} \Omega$
Pollution degree	1
Overvoltage category	II
Insulating material group	III
EMC compliance	unshielded

# Product data sheet

## Subminiature connectors

Product description	<b>Snap-In IP40 Male panel mount connector, Contacts: 5, unshielded, THT, IP40</b>
Area	<b>Snap-In IP40 series 719 - 709</b>
Part no.	<b>09 9791 20 05</b>

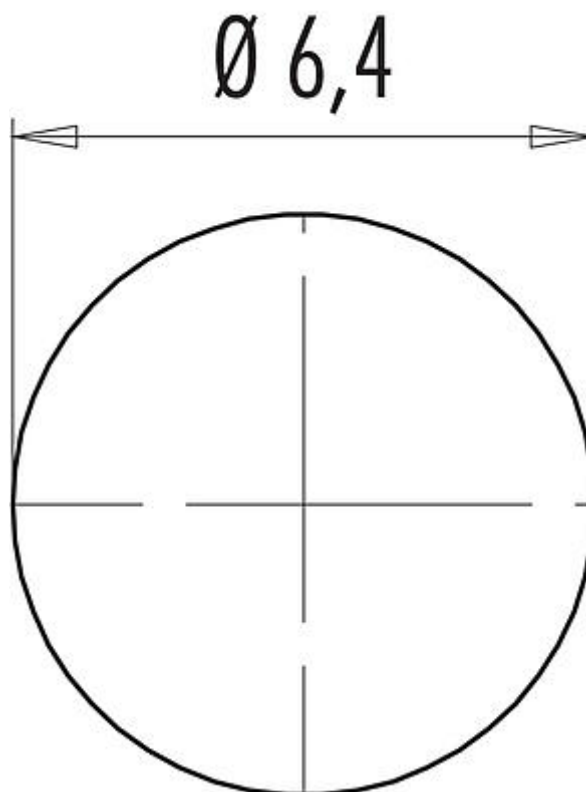
### Material

Housing material	PA
Contact body material	PA
Contact material	CuZn (brass)
Contact plating	Au (gold)
REACH SVHC	CAS 7439-92-1 (Lead)
SCIP number	SCIP-number not available

### Classifications

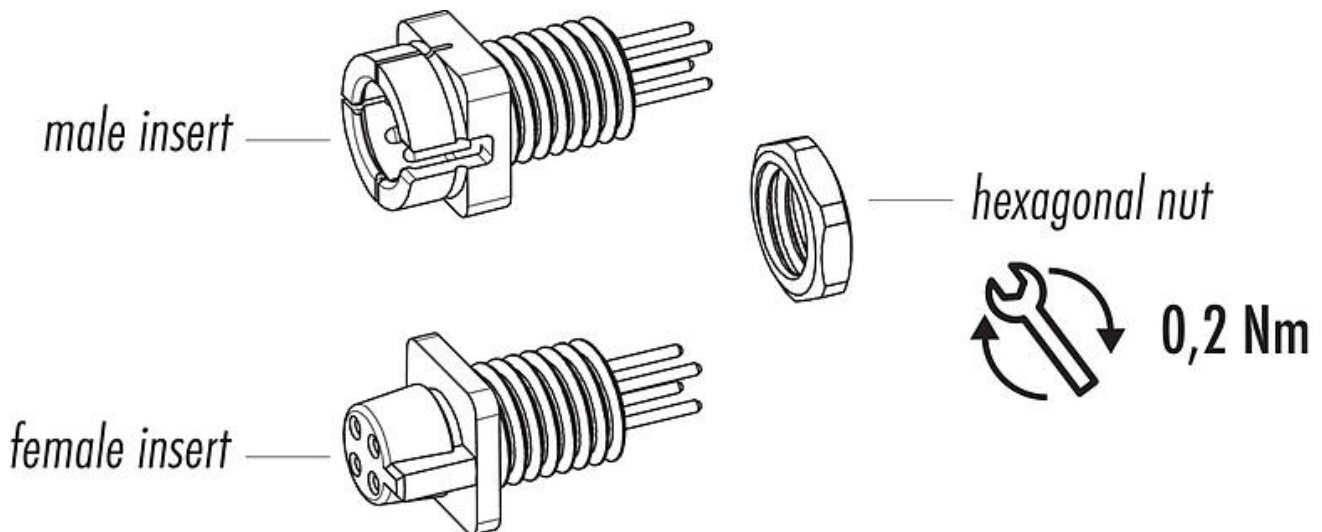
eCl@ss 11.1	27-44-01-09
ETIM 7.0	EC003569

### Assembly instructions / Panel cut-out



Product description	<b>Snap-In IP40 Male panel mount connector, Contacts: 5, unshielded, THT, IP40</b>
Area	<b>Snap-In IP40 series 719 · 709</b>
Part no.	<b>09 9791 20 05</b>

**Component part drawing**



# Product data sheet

## Subminiature connectors



Product description	<b>Snap-In IP40 Male panel mount connector, Contacts: 5, unshielded, THT, IP40</b>
Area	<b>Snap-In IP40 series 719 - 709</b>
Part no.	<b>09 9791 20 05</b>

### Security notices

The connectors have been developed for applications in plant engineering, control and electrical equipment construction. The user is responsible for checking whether the connectors can also be used in other areas of application.