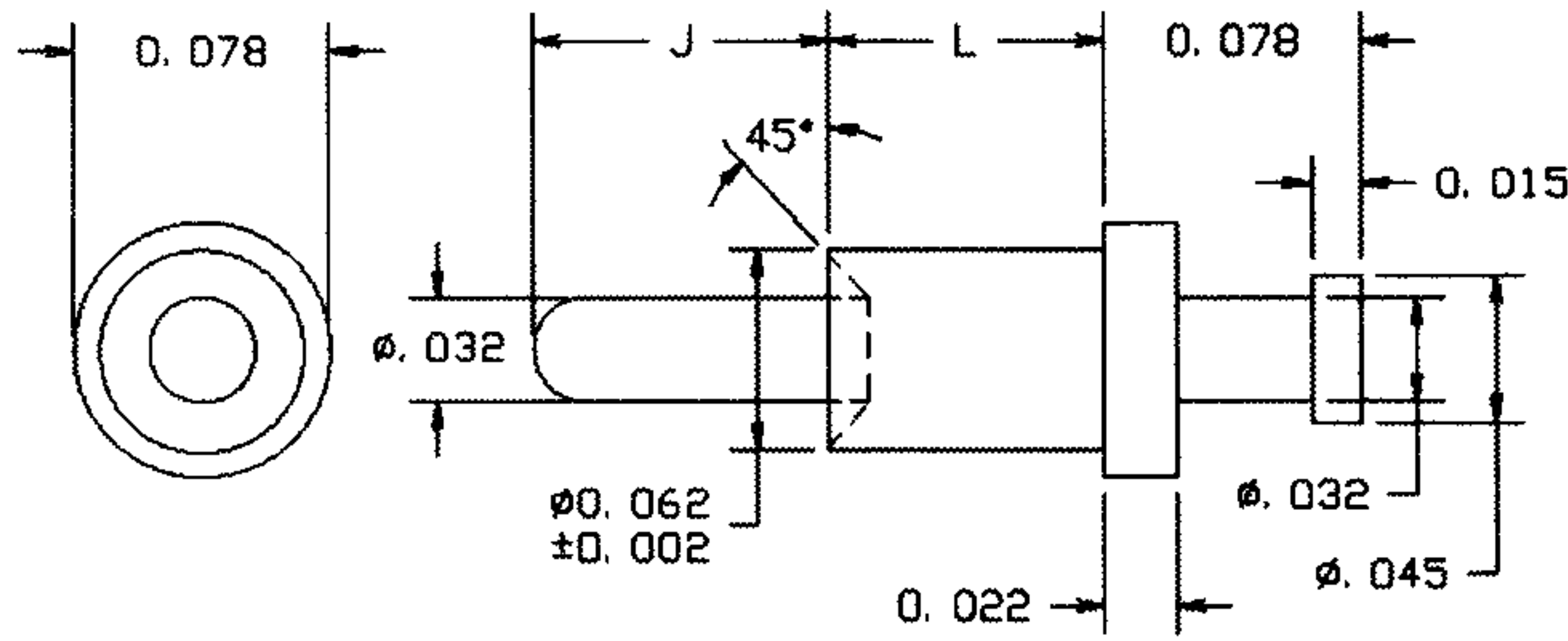


P.C. PINS

P.C. PLUG

09-8XX-X-XX .032 PIN MATERIAL: BRASS
10-802-X-01 RECOMMENDED MOUNTING HOLE
 .067 DIA. (#51 DRILL)

BASIC PART NO. FINISH



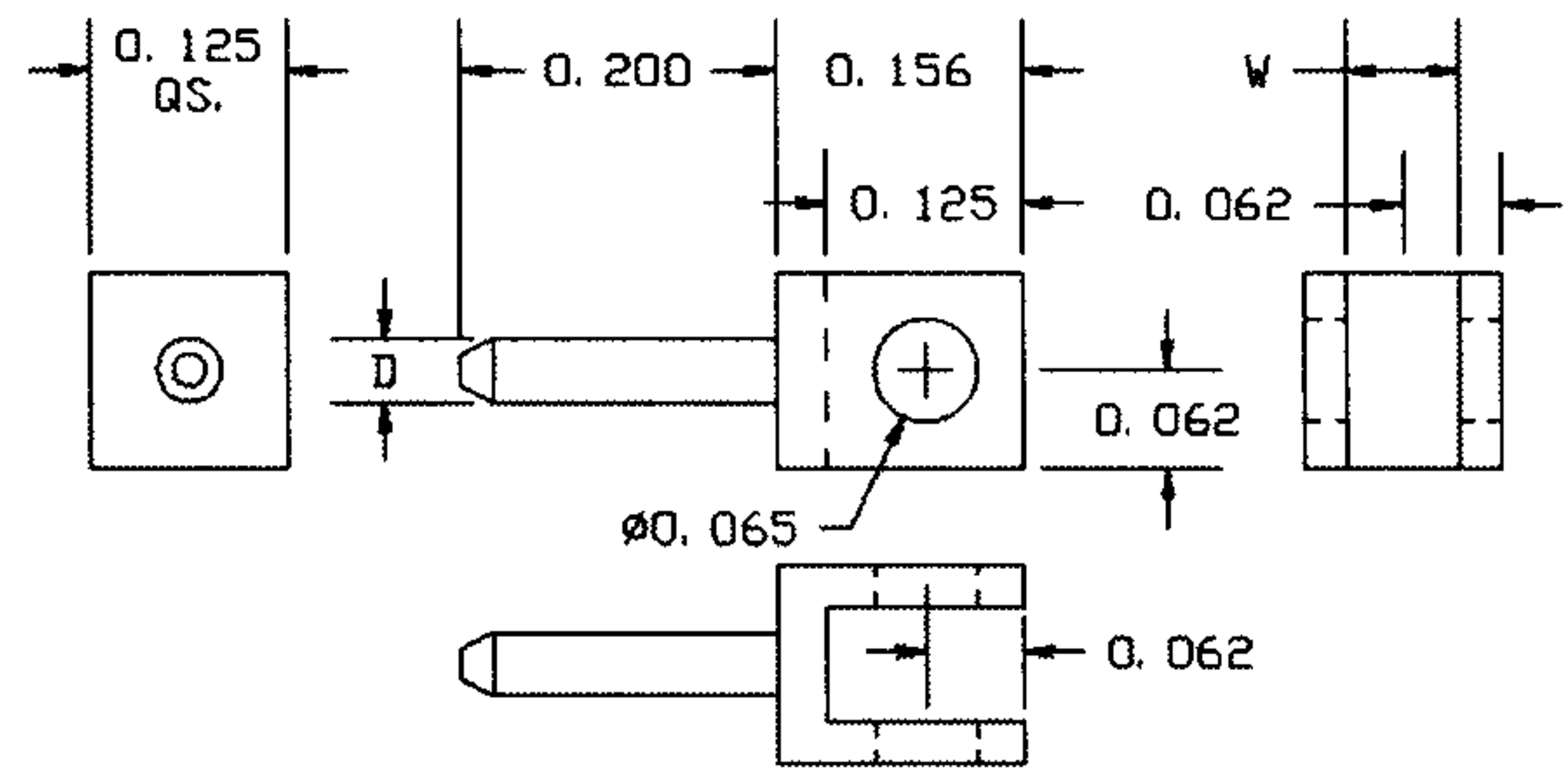
PART NO.	J	L	BOARD THK.	STANDARD FINISH
09-8041-1-01	.090	.054	1/32	
-2-01	.090	.084	1/16	SILVER
-3-01	.090	.115	3/32	
-4-01	.090	.147	1/8	
09-8131-2-03	.111	.082	1/16	GOLD
10-802-1-01	.140	.054	1/32	
-2-01	.140	.084	1/16	SILVER
-3-01	.140	.115	3/32	
-4-01	.140	.147	1/8	

TOOLS

ANVIL	PUNCH
TA78-45-22	TP62-T32

09-9502-1-XX .040 P.C. PLUG EDGE MOUNT -
09-9504-1-XX .045 SLOTTED
09-9503-1-XX .062

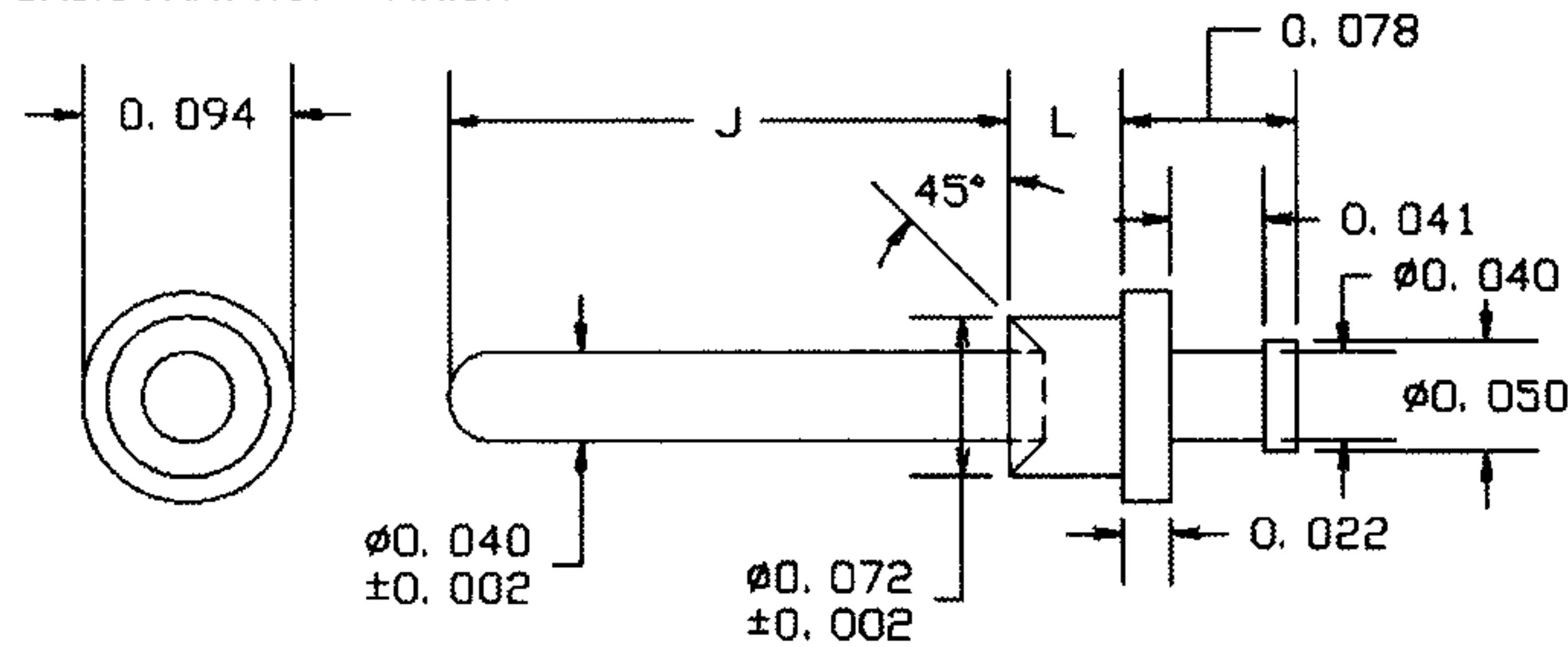
BASIC PART NO. FINISH



PART NO.	D	W	BOARD THK.	STANDARD FINISH (XX)
09-9502-1-XX	.040	.039	1/32	(03) GOLD or (04) ELECTRO-TIN
-2-XX	.040	.072	1/16	
09-9504-1-XX	.045	.039	1/32	(03) GOLD or (044) BRIGHT TIN
-2-XX	.045	.072	1/16	
09-9503-1-XX	.062	.039	1/32	(03) GOLD or (044) BRIGHT TIN
-2-XX	.062	.072	1/16	

09-81XX-X-XX .040 PIN MATERIAL: BRASS
10-801-X-01 RECOMMENDED MOUNTING HOLE
 .076 ± 0.002 DIA. (#48 DRILL)

BASIC PART NO. FINISH



PART NO.	J	L	BOARD THK.	STANDARD FINISH
09-8132-2-03	.111	.082	1/16	GOLD
09-8133-2-03	.141	.082	1/16	GOLD
09-8134-2-044	.180	.082	1/16	BRIGHT TIN
10-801-1-01	.250	.051	1/32	
-2-01	.250	.082	1/16	
-3-01	.250	.113	3/32	SILVER
-4-01	.250	.145	1/8	
-6-01	.250	.207	3/16	
-8-01	.250	.270	1/4	

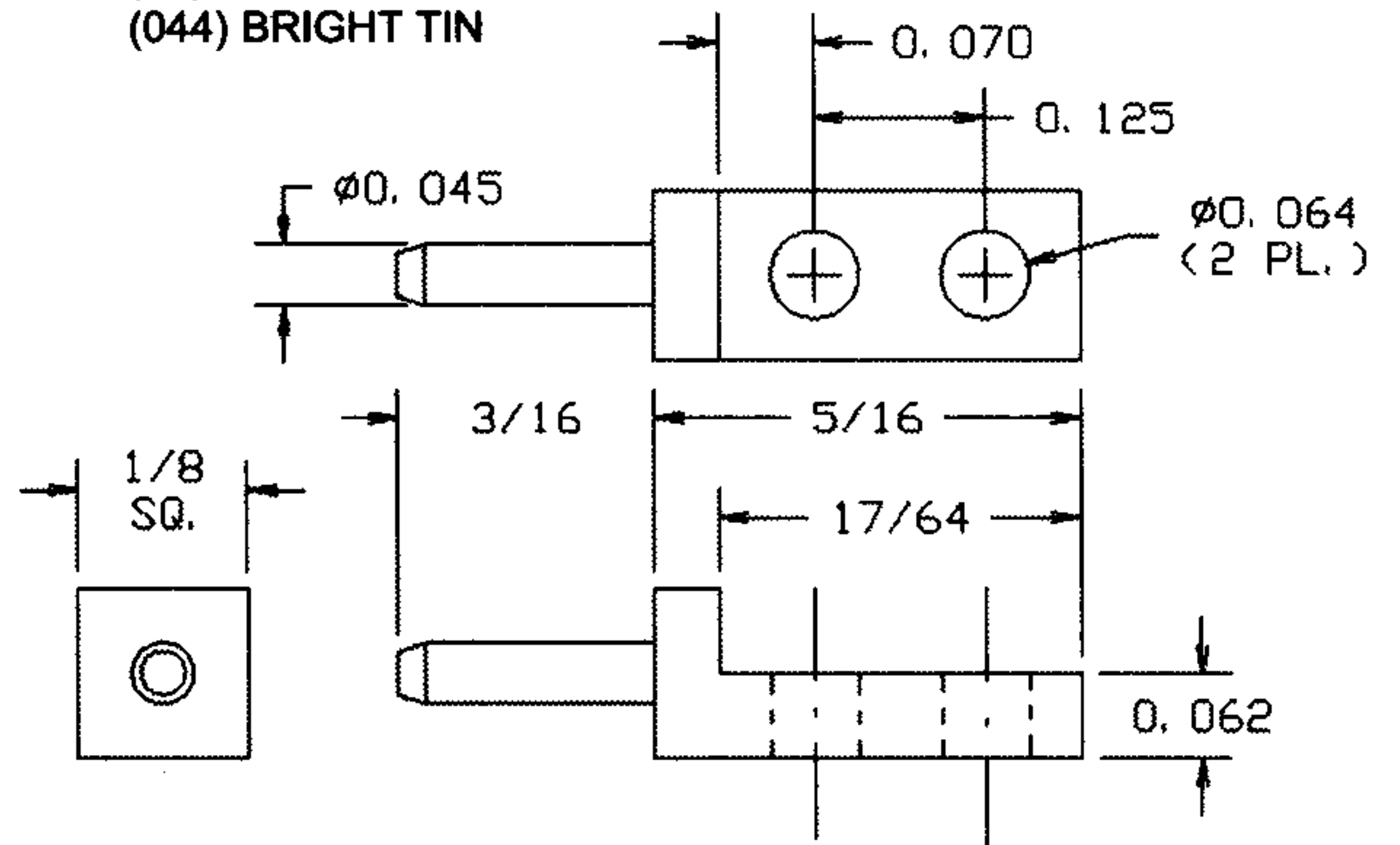
TOOLS

ANVIL	PUNCH
TA94-50-20	TP72-T40

09-9505-1-XX P.C. PLUG SIDEMOUNT .045 PIN

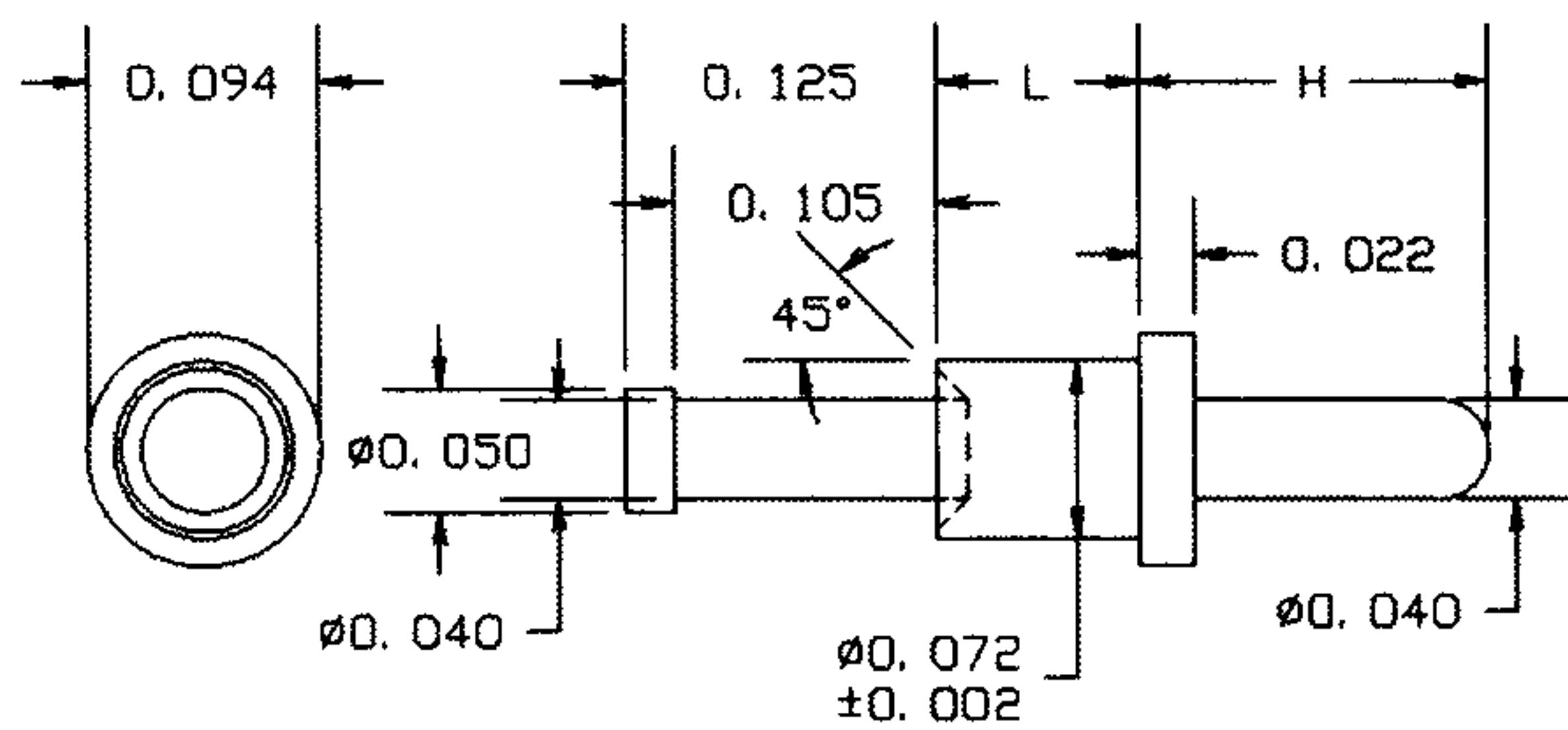
BASIC PART NO. FINISH

MATERIAL: BRASS
 STANDARD FINISH:
 (03) GOLD
 (044) BRIGHT TIN



10-8XX-X-01 .040 PIN MATERIAL: BRASS
 STANDARD FINISH: SILVER

BASIC PART NO. FINISH



PART NO.	H	L	BOARD THK.	RECOMMENDED MOUNTING HOLE
10-894-1-01	.140	.051	1/32	.076 ± 0.002 DIA. (#48 DRILL)
2-01	.140	.082	1/16	
3-01	.140	.113	3/32	
10-803-1-01	.250	.051	1/32	
-2-01	.250	.082	1/16	
-3-01	.250	.113	3/32	
-4-01	.250	.145	1/8	
-6-01	.250	.207	3/16	
-8-01	.250	.270	1/4	

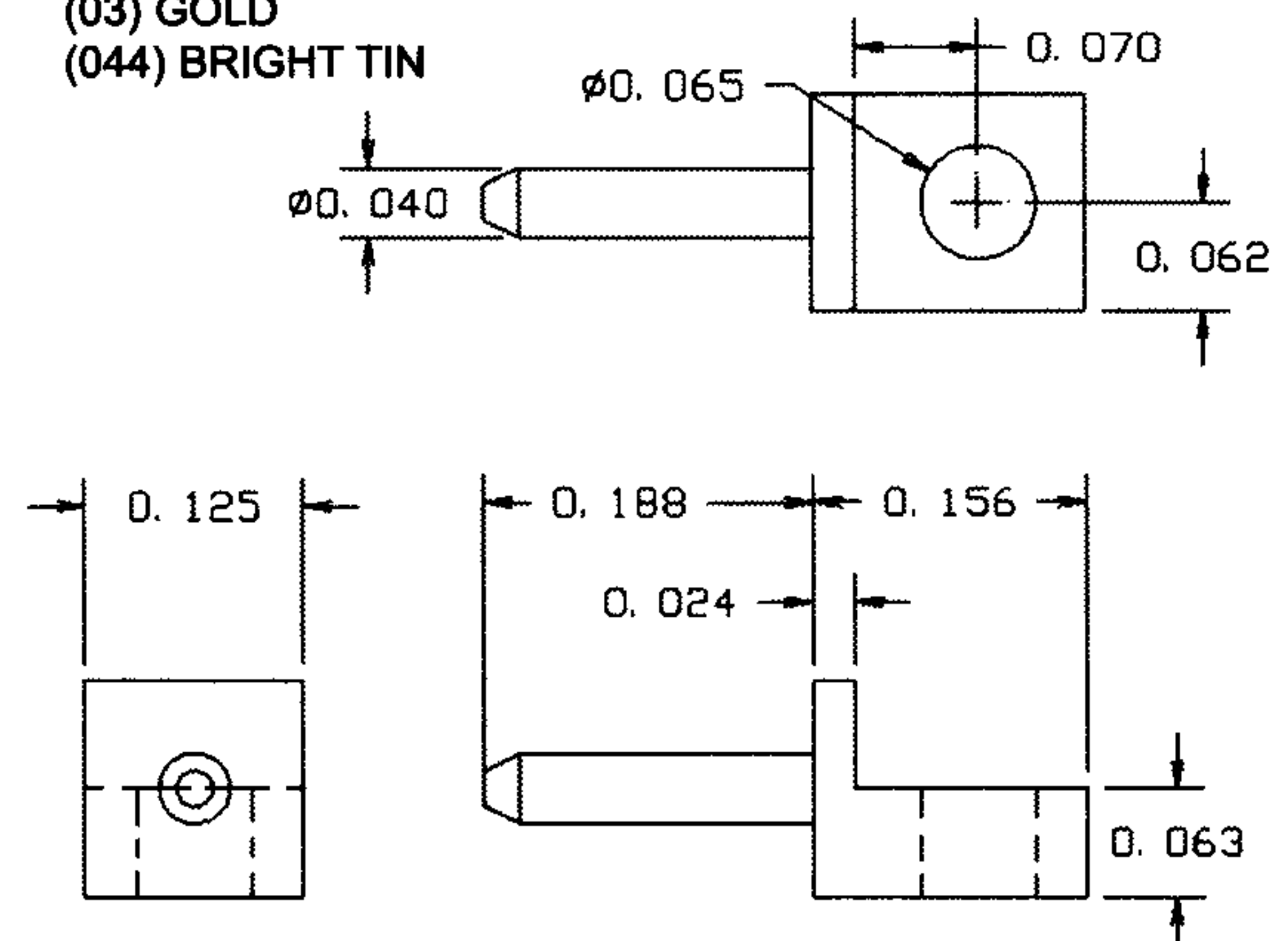
TOOLS

ANVIL	PUNCH
TA94-40-22	TP72-T50

**09-9501-1-XX P.C. PLUG EDGE MOUNT-HALF
 SLOT .040 PIN**

BASIC PART NO. FINISH

MATERIAL: BRASS
 STANDARD FINISH:
 (03) GOLD
 (044) BRIGHT TIN



FOR ADDITIONAL SIZES AND MATERIALS, CONTACT FACTORY

