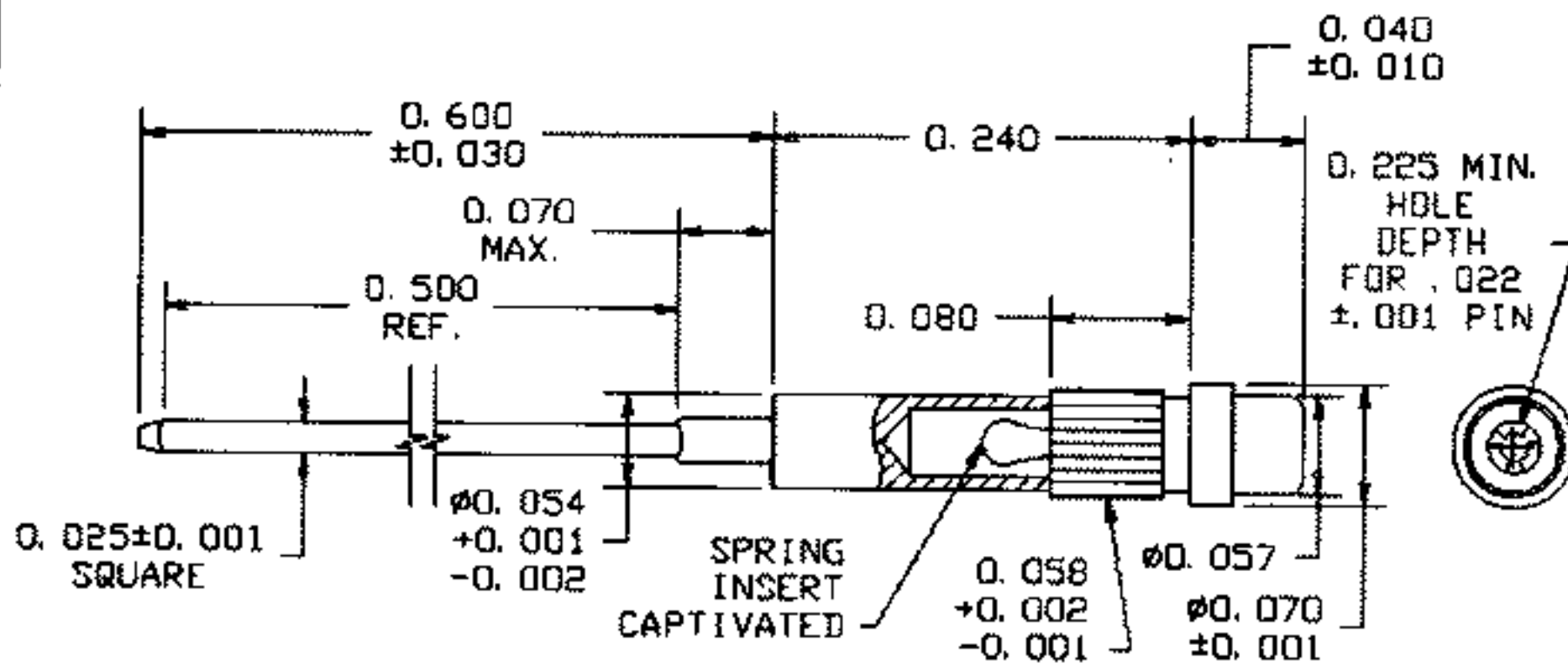


P.C.JACK-CLOSED ENTRY PRESS MOUNT

09-9066-1-03

BASIC PART NO. FINISH

P.C.JACK FOR .022 PIN-SQUARE WRAP



ACCEPTS .022 PIN BOARD THICKNESS .062 TO .188

PART NO. 09-9066-1-03 BODY (BRASS) Gold SPRING (BERYLLIUM COPPER) Gold

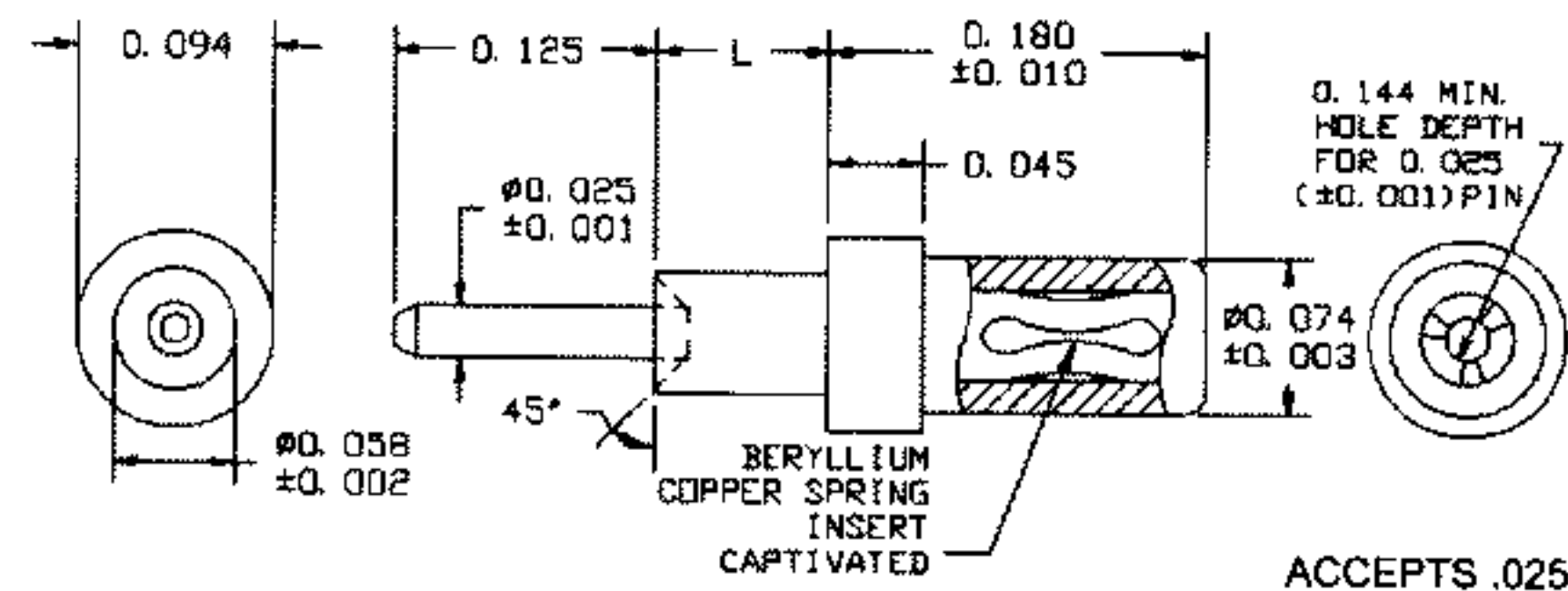
RECOMMENDED MOUNTING HOLE .055±.001(#54 DRILL)

COMBINATION PLUG-JACKS-CLOSED ENTRY

09-9016-X-XX

BASIC PART NO. FINISH

.025 JACK-.025 PLUG-SWAGE MOUNT



ACCEPTS .025 PIN

PART NO.	L	BOARD THK.
09-9016-1	.051	1/32
09-9016-2	.082	1/16
09-9016-3	.113	3/32
09-9016-4	.145	1/8

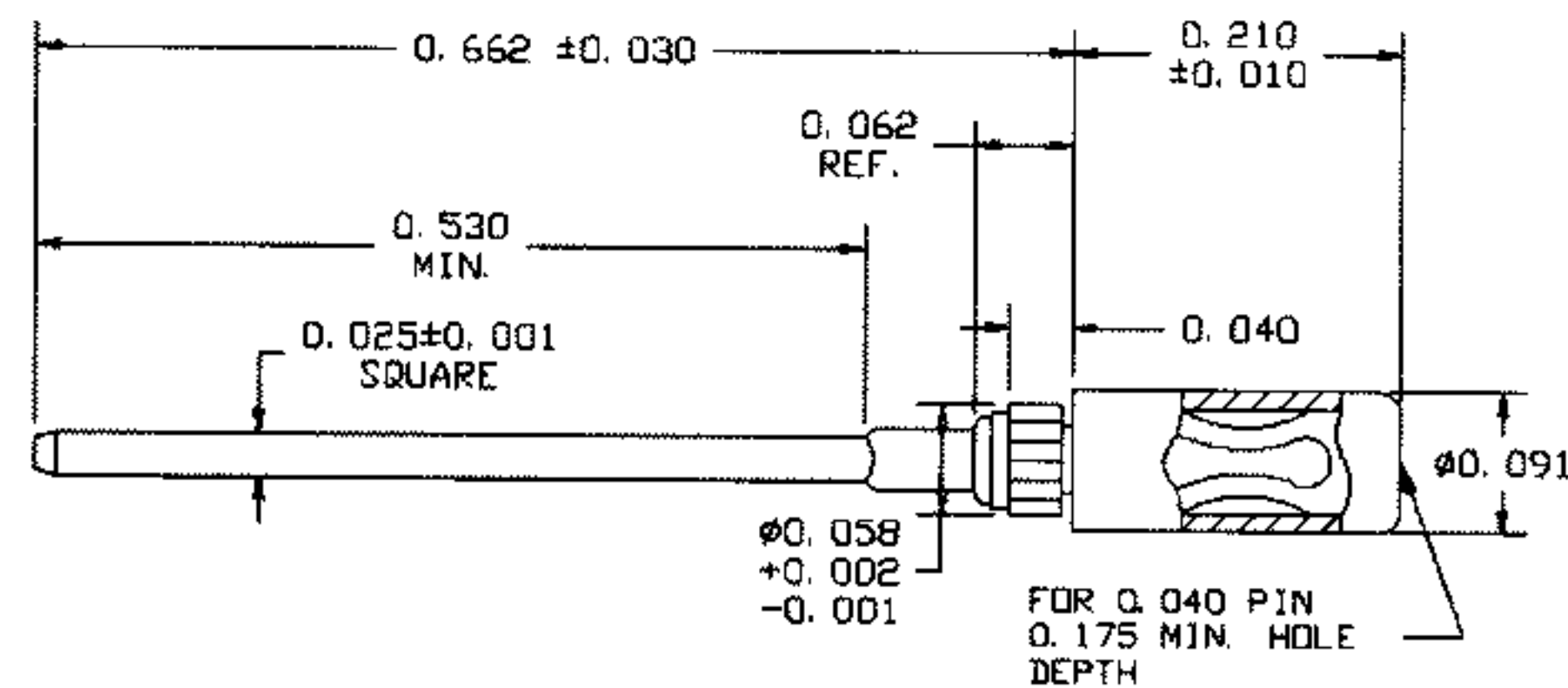
PART NO. 09-9016-1-03 BODY (BRASS) Gold SPRING (BERYLLIUM COPPER) Gold
 04 Electro Tin
 088 Bright Tin-Lead Bright Tin-Lead

RECOMMENDED MOUNTING HOLE .062±.002

09-9077-1-03

BASIC PART NO. FINISH

P.C. JACK FOR .040 PIN - PRESS MOUNT SQUARE WRAP



ACCEPTS .040 PIN BOARD THICKNESS .062

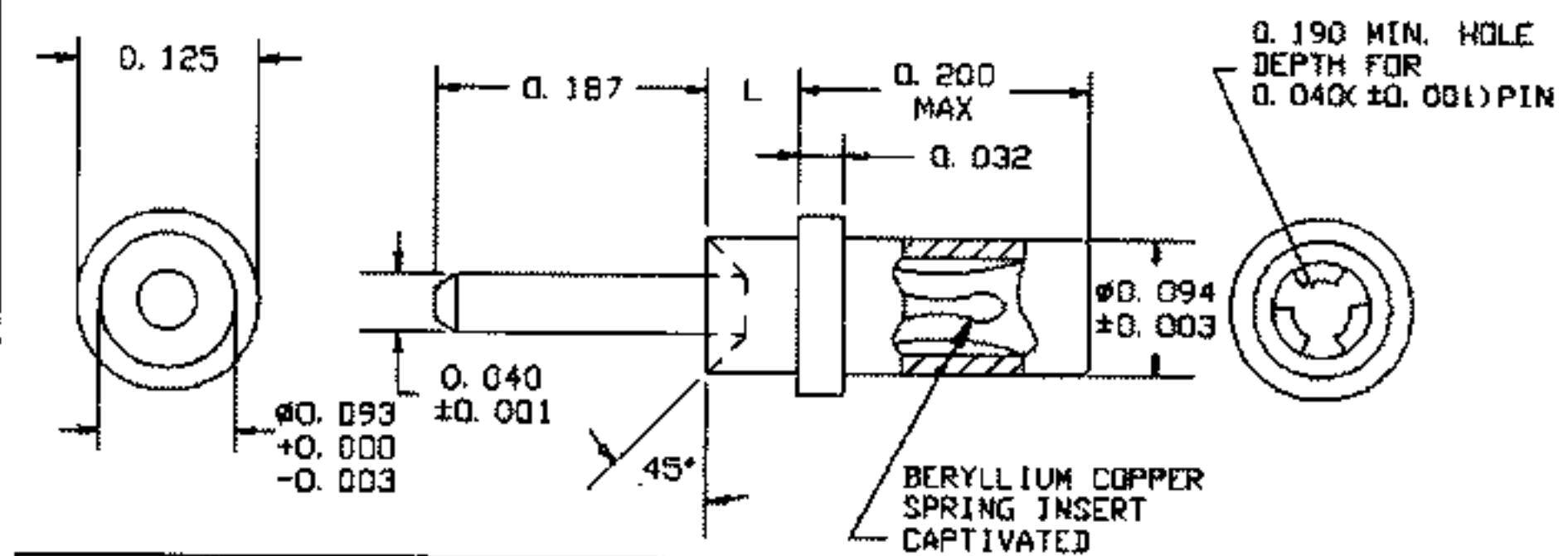
PART NO. 09-9077-1-03 BODY (BRASS) Gold SPRING (BERYLLIUM COPPER) Gold

RECOMMENDED MOUNTING HOLE .055±.001(#54 DRILL)

09-9005-X-03

BASIC PART NO. FINISH

.040 JACK-.040 PLUG-SWAGE MOUNT



ACCEPTS .040 PIN

PART NO.	L	BOARD THK.
09-9005-1	.062	1/32
09-9005-2	.094	1/16
09-9005-3	.125	3/32
09-9005-4	.156	1/8
09-9005-6	.219	3/16

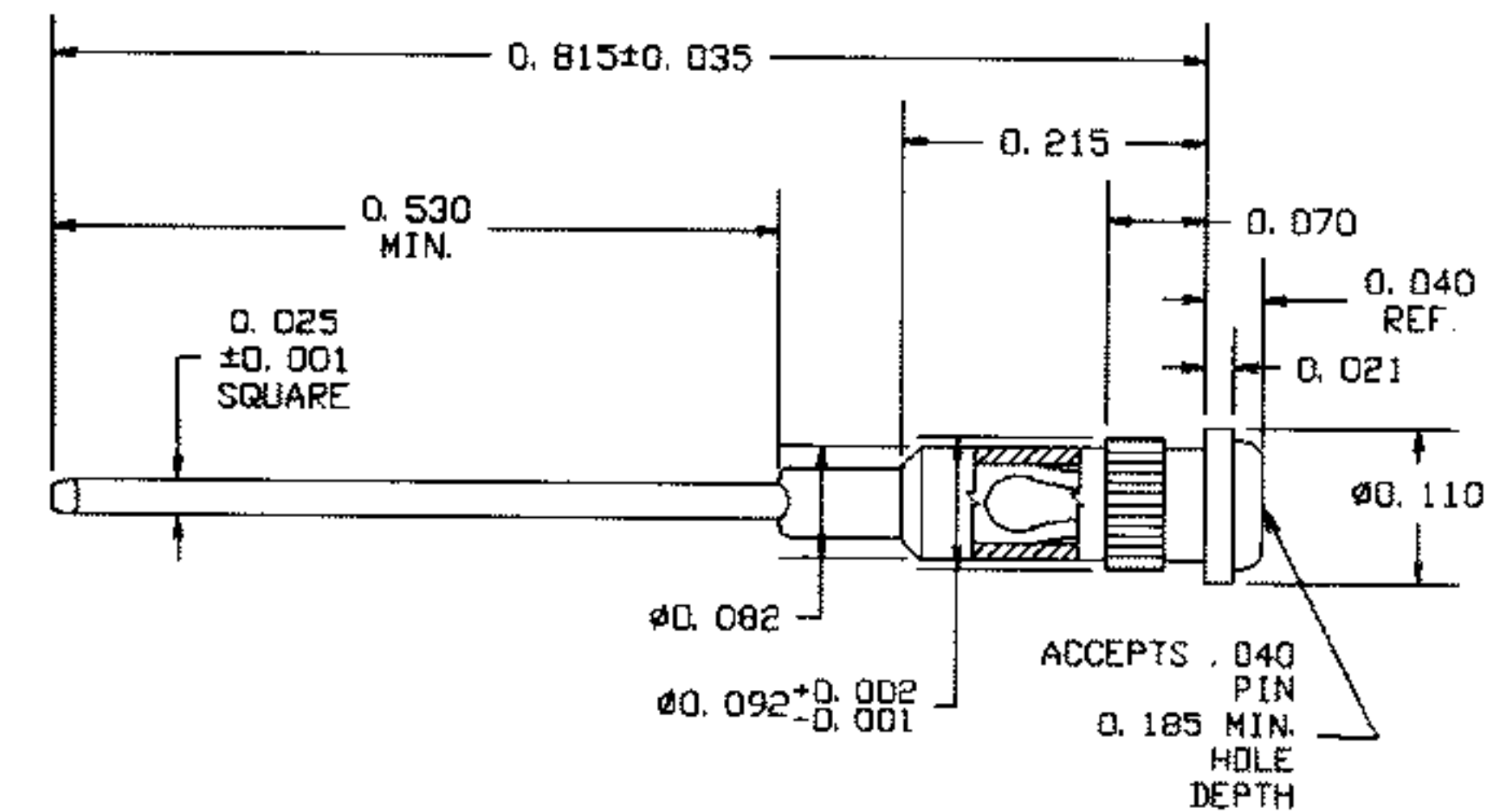
PART NO. 09-9005-1-03 BODY (BRASS) Gold SPRING (BERYLLIUM COPPER) Gold

RECOMMENDED MOUNTING HOLE .094+0.002/-0.001 DIA.(#42 DRILL)

09-9076-1-03

BASIC PART NO. FINISH

P.C. JACK FOR .040 PIN - PRESS MOUNT SQUARE WRAP



ACCEPTS .040 PIN BOARD THICKNESS .062 TO .188

PART NO. 09-9076-1-03 BODY (BRASS) Gold SPRING (BERYLLIUM COPPER) Gold

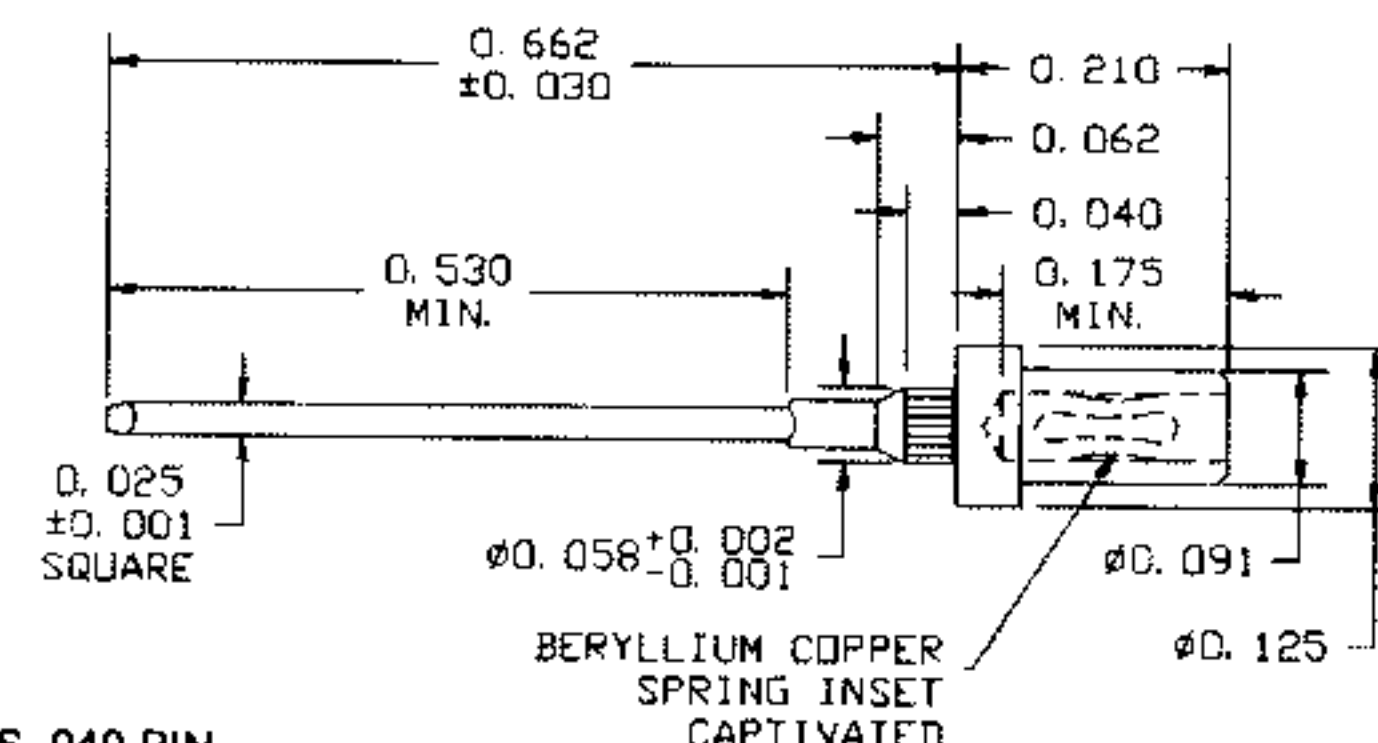
RECOMMENDED MOUNTING HOLE .089±.001(#43 DRILL)

COMBINATION P.C. JACK & SQUARE WRAP-CLOSED ENTRY

09-9095-1-03

BASIC PART NO. FINISH

P.C.JACK FOR .040 PIN-PRESS MOUNT



ACCEPTS .040 PIN

PART NO. 09-9095-1-03 BODY (BRASS) Gold SPRING (BERYLLIUM COPPER) Gold

RECOMMENDED MOUNTING HOLE .055±.001(#54 DRILL)

FOR ADDITIONAL SIZES AND MATERIALS, CONTACT FACTORY

BLK	BRN	RED	ORN	YEL	GRN	BLU	PUR	GRY	WHT
10	11	12	13	14	15	16	17	18	19

