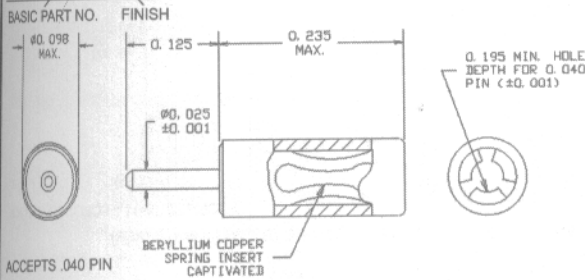


COMBINATION PLUG-JACK ASSEMBLIES - CLOSED ENTRY

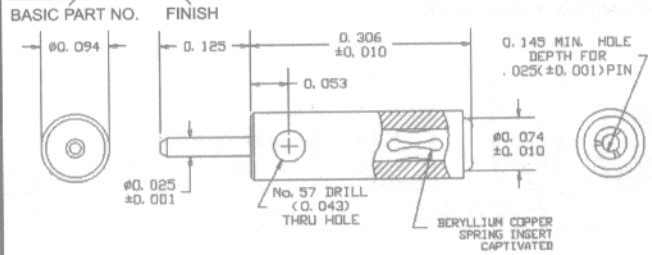
09-9014-1-XX .040 JACK - .025 PLUG



ACCEPTS .040 PIN

PART NO.	BODY (BRASS)	SPRING (BERYLLIUM COPPER)
09-9014-1-03	Gold	Gold
04	Electro Tin	Electro Tin
088	Bright Tin-Lead	Bright Tin-Lead

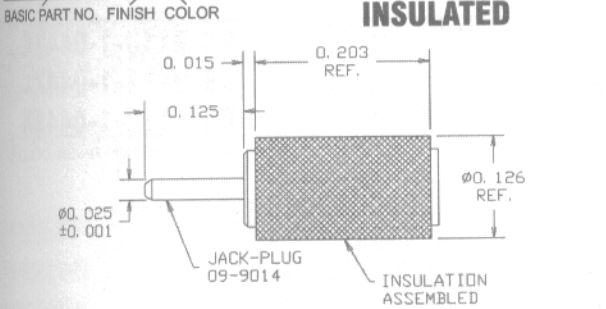
09-9054-1-XX .025 JACK - .025 PLUG



ACCEPTS .025 PIN

PART NO.	BODY (BRASS)	SPRING (BERYLLIUM COPPER)
09-9054-1-03	Gold	Gold

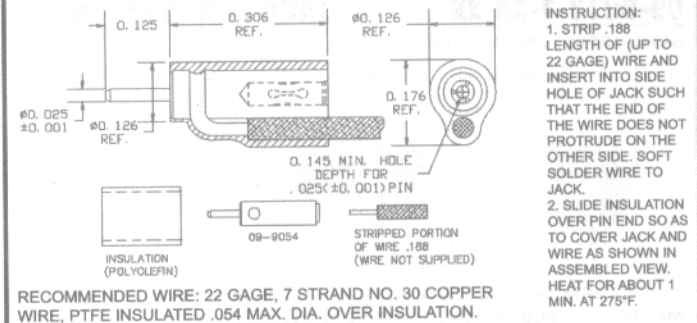
09-9010-1-XX10 .040 JACK - .025 PLUG - INSULATED



ACCEPTS .040 ±0.001 PIN

PART NO.	BODY (BRASS)	SPRING (BERYLLIUM COPPER)	INSULATION (POLYOLEFIN PLASTIC)
09-9010-1-03	Gold	Gold	Black
04	Electro Tin	Electro-Tin	Black
088	Bright Tin-Lead	Bright Tin-Lead	Black

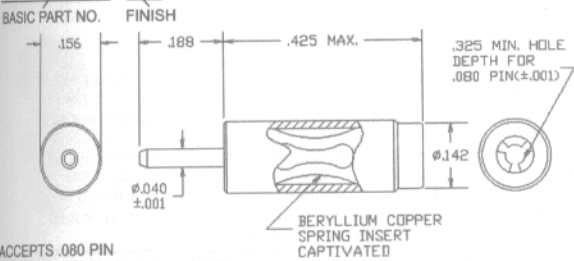
09-9055-1-XX10 PLUG-JACK AND INSULATION FOR PATCH CORD ASSEMBLY



RECOMMENDED WIRE: 22 GAGE, 7 STRAND NO. 30 COPPER WIRE, PTFE INSULATED .054 MAX. DIA. OVER INSULATION.

PART NO.	BODY (BRASS)	SPRING (BERYLLIUM COPPER)
09-9055-1-03	Gold	Gold

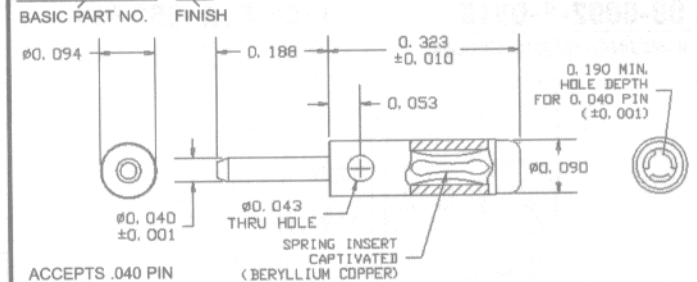
09-9040-1-XX .080 JACK - .040 PLUG



ACCEPTS .080 PIN

PART NO.	BODY (BRASS)	SPRING (BERYLLIUM COPPER)
09-9040-1-03	Gold	Gold
04	Electro Tin	Electro Tin
088	Bright Tin-Lead	Bright Tin-Lead

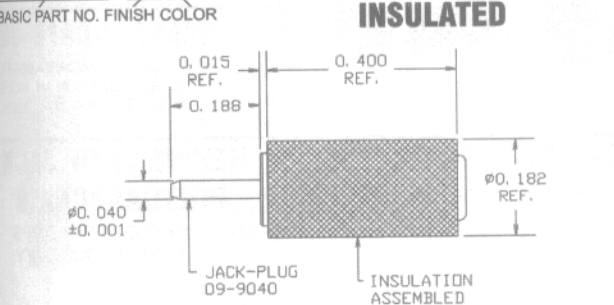
09-9082-1-03 .040 JACK - .040 PLUG



ACCEPTS .040 PIN

PART NO.	BODY (BRASS)	SPRING (BERYLLIUM COPPER)
09-9082-1-03	Gold	Gold

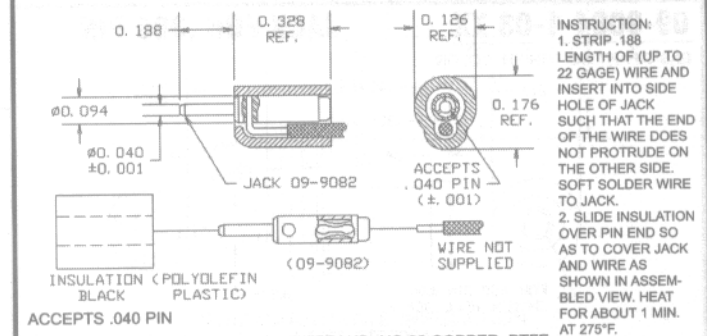
09-9063-1-XX10 .080 JACK - .040 PLUG - INSULATED



ACCEPTS .080 PIN (±0.001)

PART NO.	BODY (BRASS)	SPRING (BERYLLIUM COPPER)	INSULATION (POLYOLEFIN PLASTIC)
09-9063-1-03	Gold	Gold	Black
04	Electro Tin	Electro Tin	Black
088	Bright Tin-Lead	Bright Tin-Lead	Black

09-9083-1-0310 PLUG-JACK AND INSULATION FOR PATCH CORD ASSEMBLY



ACCEPTS .040 PIN

RECOMMENDED WIRE: 26 AWG, 19 STRAND, NO.38 COPPER, PTFE INSULATED, .041 MAX. DIA. OVER INSULATION

PART NO.	BODY (BRASS)	SPRING (BERYLLIUM COPPER)
09-9083-1-03	Gold	Gold

FOR ADDITIONAL SIZES AND MATERIALS, CONTACT FACTORY

BLK	BRN	RED	ORN	YEL	GRN	BLU	PUR	GRY	WHT
10	11	12	13	14	15	16	17	18	19

