

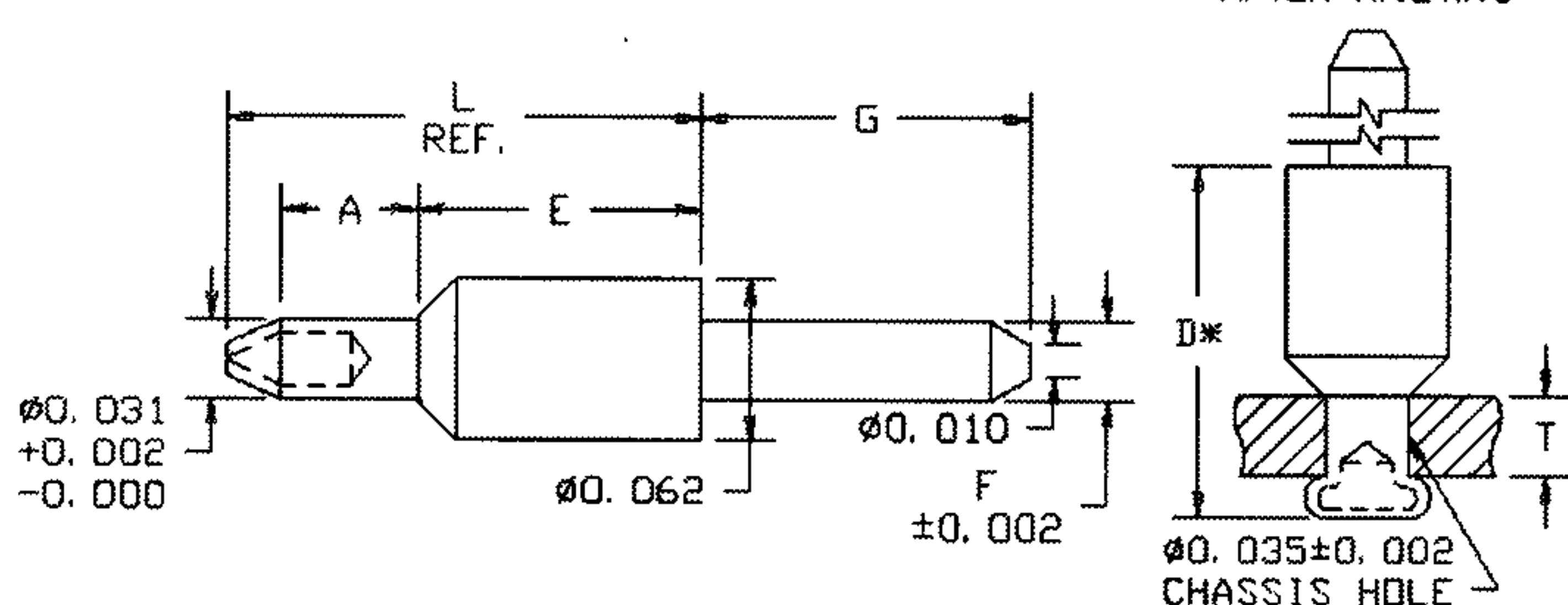
HOLLOW POINT PINS

09-71XX-X-044

BASIC PART DASH FINISH

MATERIAL: BRASS
FINISH: BRIGHT TIN (044)

*AFTER RIVETING



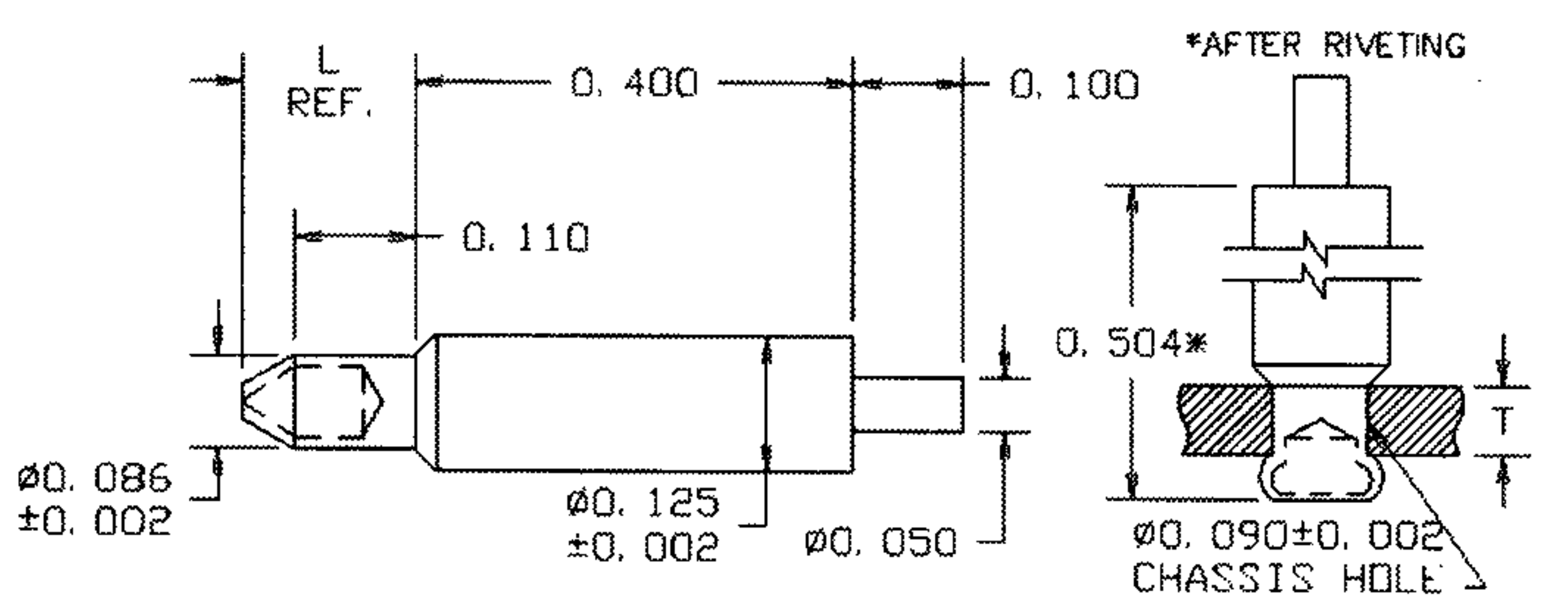
PART NO	A	L	T	D	E	F	G	TOOL
09-7118-1-044	.052	.181	.031	.155	.108	.030	.125	ANVIL
09-7119-2-044	.083	.224	.063	.198	.120	.020	.156	TA62-30-75

09-7167-2-044

BASIC PART DASH FINISH

MATERIAL: BRASS
FINISH: BRIGHT TIN (044)

*AFTER RIVETING



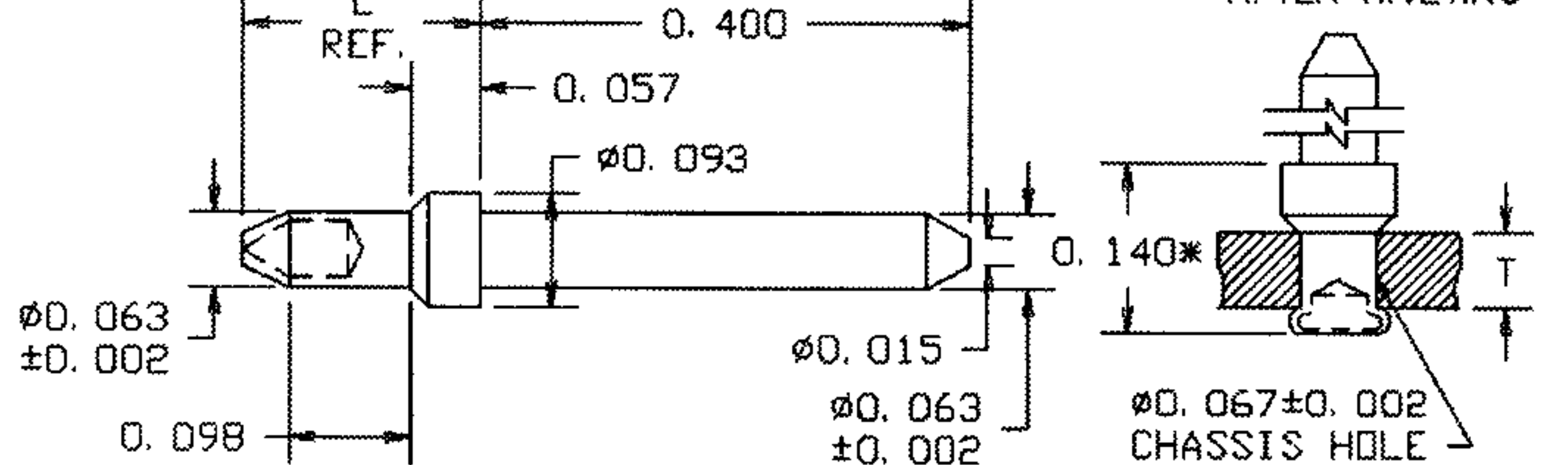
PART NO	L	T	TOOL
09-7167-2-044	.158	.062	ANVIL TA125-50-300

09-7165-2-044

BASIC PART DASH FINISH

MATERIAL: BRASS
FINISH: BRIGHT TIN (044)

*AFTER RIVETING



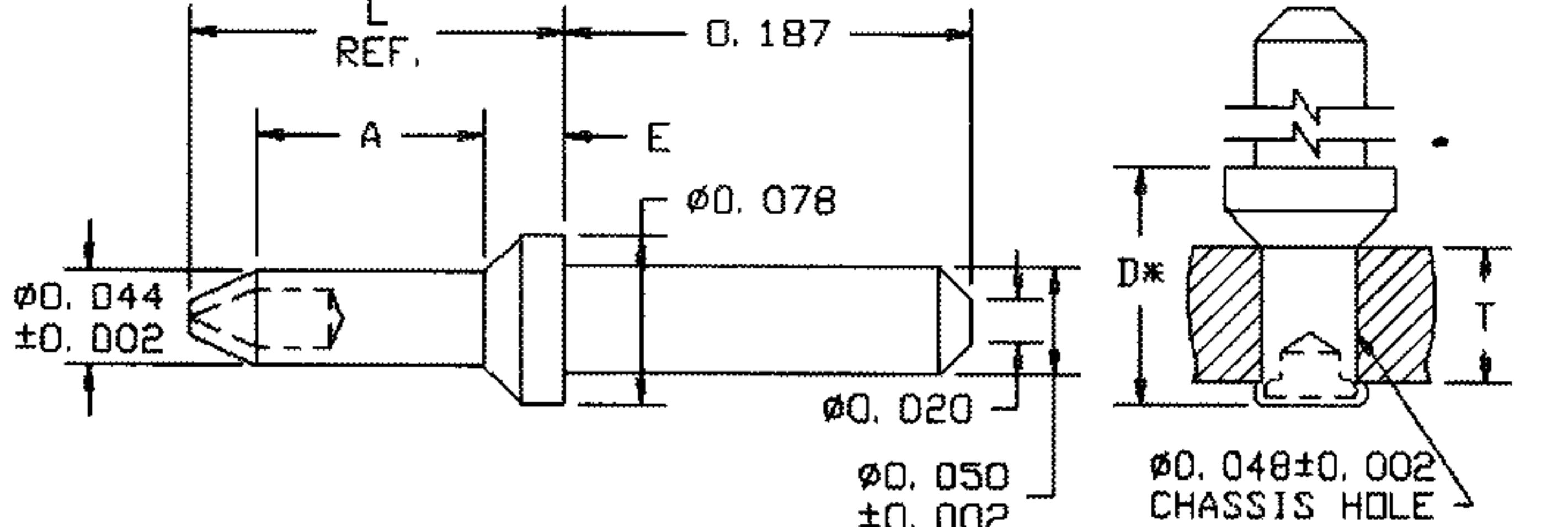
PART NO	L	T	TOOL
09-7165-2-044	.194	.062	ANVIL TA91-63-40

09-71XX-2-044

BASIC PART DASH FINISH

MATERIAL: BRASS
FINISH: BRIGHT TIN (044)

*AFTER RIVETING



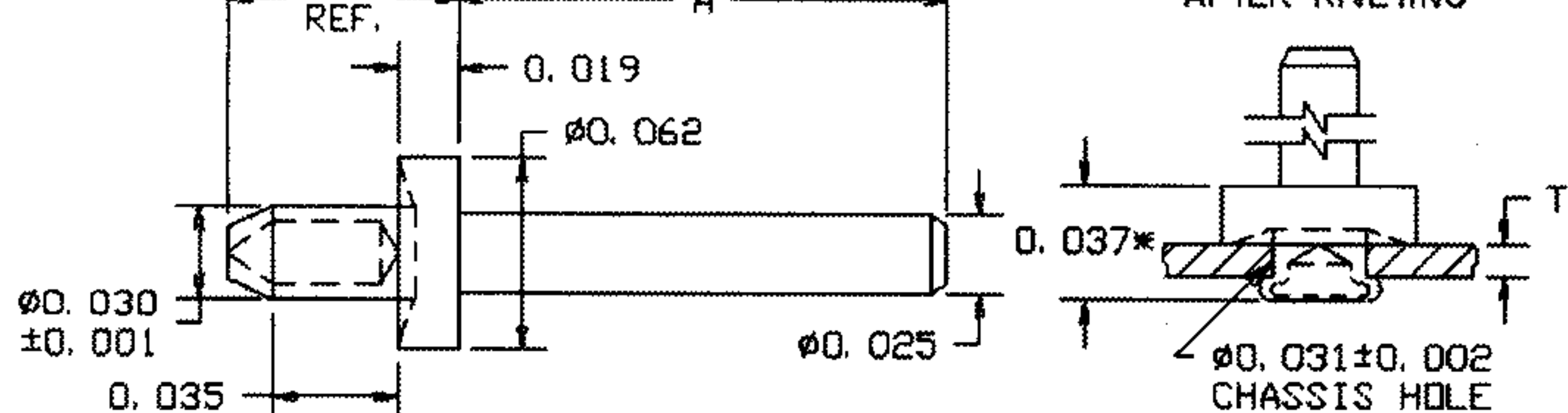
PART NO	A	L	T	D	E	TOOL
09-7150-2-044	.104	.172	.062	.110	.037	ANVIL
09-7151-2-044	.104	.235	.062	.173	.100	TA78-50-20

09-71XX-X-044

BASIC PART DASH FINISH

MATERIAL: BRASS
FINISH: BRIGHT TIN (044)

*AFTER RIVETING



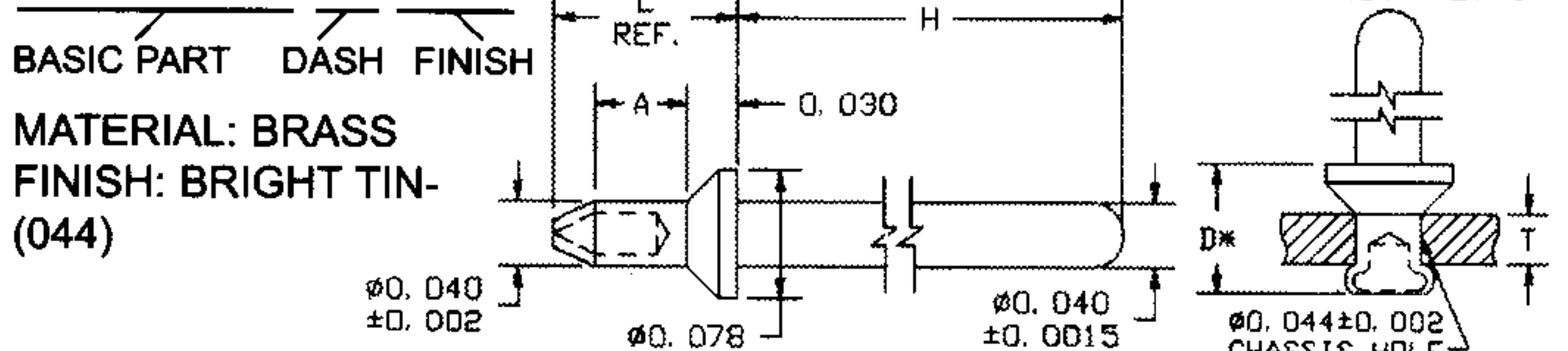
PART NO	A	B	L	T	TOOL
09-7107-1A-044	.156	.025	.074	.010	ANVIL
09-7108-1A-044	.281	.025	.074	.010	TA62-25-20

09-71XX-X-044

BASIC PART DASH FINISH

MATERIAL: BRASS
FINISH: BRIGHT TIN-
(044)

*AFTER RIVETING



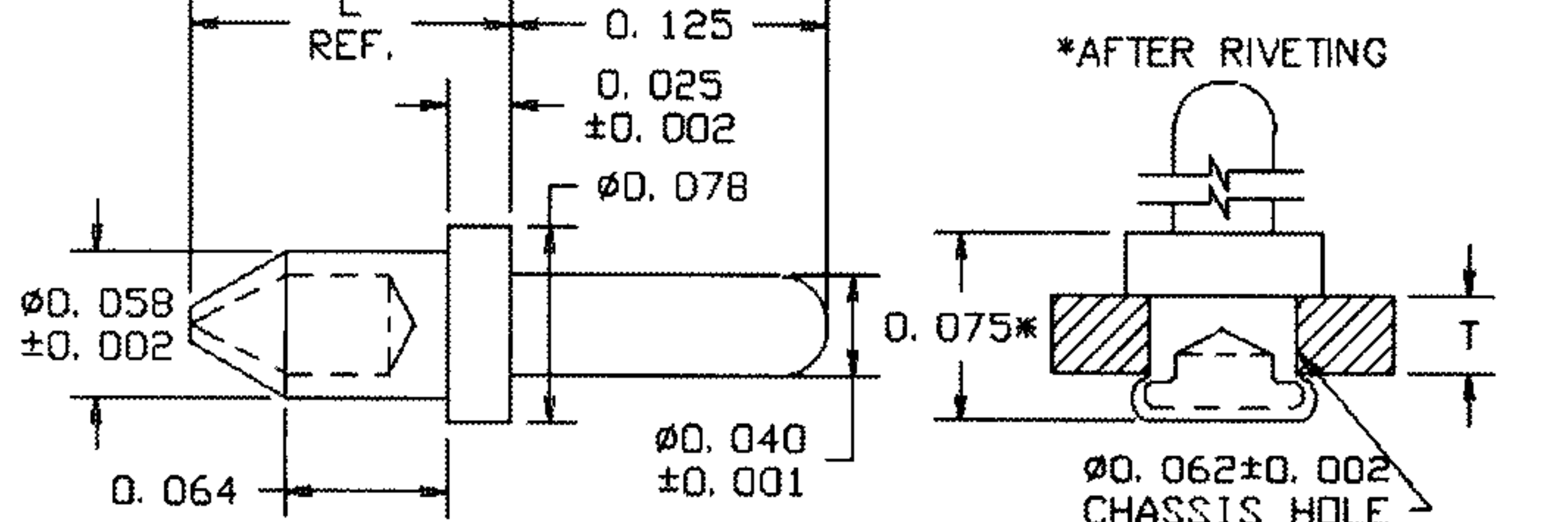
PART NO	A	L	T	D	H	TOOL
09-7125-1-044	.056	.112	.031	.080	.270	ANVIL
09-7126-1-044	.056	.112	.031	.080	.310	ANVIL
09-7127-1-044	.056	.112	.031	.080	.562	ANVIL
09-7128-1-044	.056	.112	.031	.080	.670	ANVIL
09-7129-1-044	.056	.112	.031	.080	.750	ANVIL
09-7130-1-044	.056	.112	.031	.080	.870	ANVIL
09-7132-2-044	.087	.143	.062	.110	.710	ANVIL
09-7133-2-044	.087	.143	.062	.110	.870	ANVIL
09-7134-2-044	.087	.143	.062	.110	.950	TA78-40-10

09-7161-1-044

BASIC PART DASH FINISH

MATERIAL: BRASS
FINISH: BRIGHT TIN (044)

*AFTER RIVETING



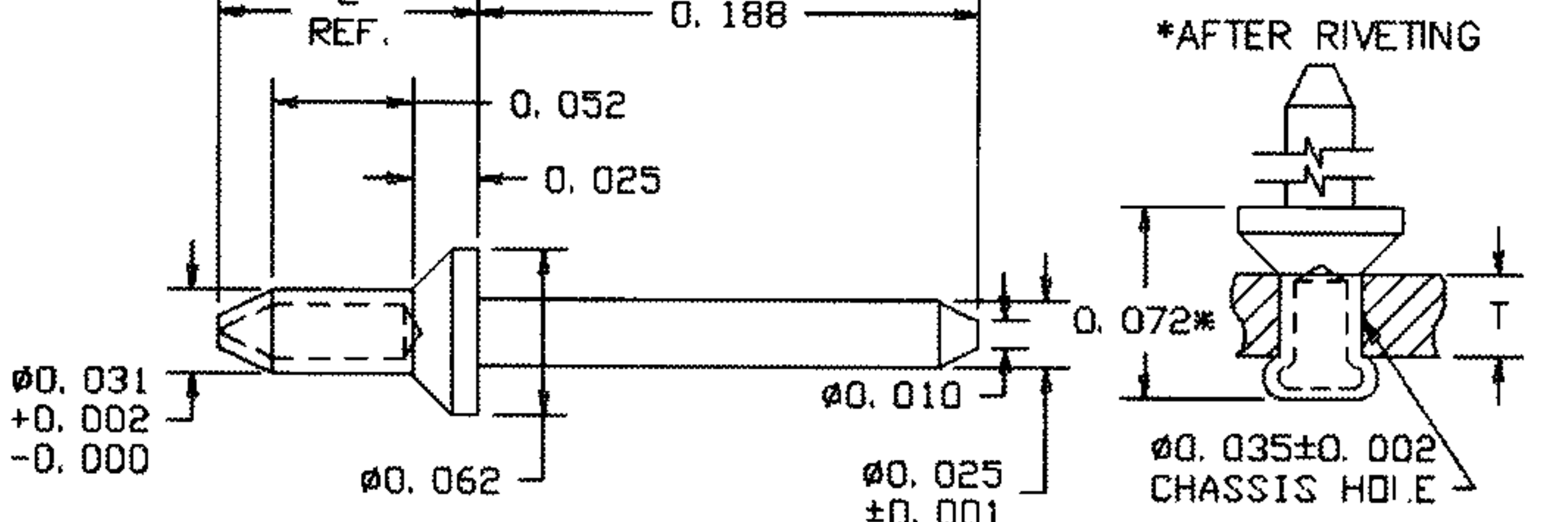
PART NO	L	T	TOOL
09-7161-1-044	.127	.031	ANVIL TA78-40-20

09-7121-1-05

BASIC PART DASH FINISH

MATERIAL: BRASS
FINISH: ELECTRO-SOLDER (05)

*AFTER RIVETING



PART NO	L	T	TOOL
09-7121-1-05	.098	.031	ANVIL TA62-25-10

FOR ADDITIONAL SIZES AND MATERIALS, CONTACT FACTORY

800-847-4162 (Outside N.Y.S.)
Ph: 212-777-6571 Fax: 212-991-0161
sales@concord-electronics.com
engineering@concord-electronics.com

