

Product data sheet

Automation technology - data transmission



Product description **M12-D Adapter, Contacts: 4, shielded, pluggable, IP67, UL**

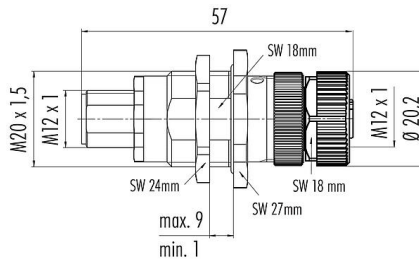
Area **M12-D series 825**

Part no. **09 5245 00 04**

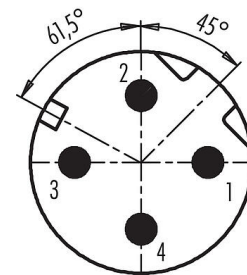
Illustration



Scale drawing



Contact arrangement (Plug-in side)



- 1 yellow
- 2 white
- 3 orange
- 4 blue

You can find the assembly instructions on the next page.

Technical data

General features

Part no.	09 5245 00 04
Connector design	Adapter
Version	adapter
Connector locking system	screw
Termination	pluggable
Degree of protection	IP67
Temperature range from/to	-40 °C / 85 °C
Mechanical operation	> 100 Mating cycles
Weight (g)	61.11
Customs tariff number	85369010

Electrical parameters

Rated voltage	250 V
Rated impulse voltage	2500 V
Rated current (40 °C)	4.0 A
Insulation resistance	> 10 ⁸ Ω
Pollution degree	3
Transmission rate	CAT 5
Overvoltage category	II
Insulating material group	II
EMC compliance	shielded
Shield connection	Shield on the housing

Material

Housing material	Zinc die-cast nickel-plated
Contact body material	PA



Product description	M12-D Adapter, Contacts: 4, shielded, pluggable, IP67, UL
Area	M12-D series 825
Part no.	09 5245 00 04

Contact material	CuZn (brass)
Contact plating	Au (gold)
Locking material	Zinc die-cast nickel-plated
REACH SVHC	CAS 7439-92-1 (Lead)
SCIP number	97020824-650e-4633-a25d-316143cf55bb

Authorization/approvals

Approvals	UL
-----------	----

Classifications

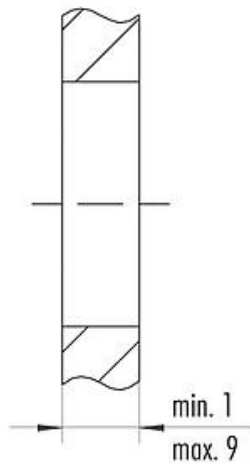
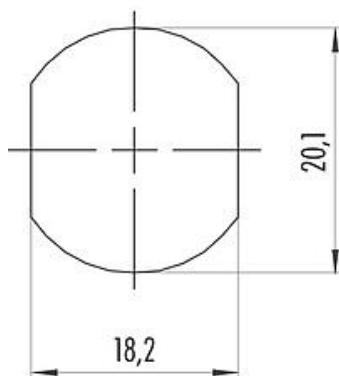
eCl@ss 11.1	27-44-01-09
ETIM 7.0	EC003569

Declarations of conformity

Low Voltage Directive	2014/35/EU (EN 60204-1:2018;EN 60529:1991)
-----------------------	--

Assembly instructions / Panel cut-out

Schaltschrankdurchführung mit Durchgangsbohrung
 Lead-through for control cabinet with bore hole



Anzugsdrehmoment/Tightening moment
 1-1,2 Nm

Product data sheet

Automation technology - data transmission



Product description	M12-D Adapter, Contacts: 4, shielded, pluggable, IP67, UL
Area	M12-D series 825
Part no.	09 5245 00 04

Security notices

The connector must not be plugged or unplugged under load. Non-observance and improper use can result in personal injury.

The connectors have been developed for applications in plant engineering, control and electrical equipment construction. The user is responsible for checking whether the connectors can also be used in other areas of application.

Plug connectors with enclosure protection IP67 and IP68 are not suitable for use under water. When used outdoors, the plug connectors must be protected separately against corrosion. For further information on the IP protection classes, please refer to the "Technical Information" download centre.

To lock the cable connector with the device connector, the threaded ring is tightened "hand-tight" (approx. 60 cNm).