
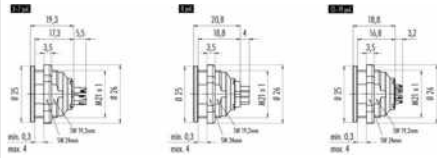
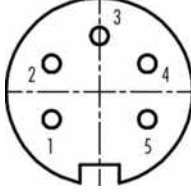


Product description **Push-Pull female panel mount connector, Contacts: 5, shielding is not possible, solder, IP67**

Area **Push-Pull series 440**  
 Order number **09 4816 15 05**

Illustration	Scale drawing	Contact arrangement																		
		 <table border="1" style="margin-left: 20px;"> <thead> <tr> <th></th> <th>X</th> <th>Y</th> </tr> </thead> <tbody> <tr> <td>1</td> <td>-3,03</td> <td>-1,75</td> </tr> <tr> <td>2</td> <td>-3,03</td> <td>1,75</td> </tr> <tr> <td>3</td> <td>0,00</td> <td>3,50</td> </tr> <tr> <td>4</td> <td>3,03</td> <td>1,75</td> </tr> <tr> <td>5</td> <td>3,03</td> <td>-1,75</td> </tr> </tbody> </table>		X	Y	1	-3,03	-1,75	2	-3,03	1,75	3	0,00	3,50	4	3,03	1,75	5	3,03	-1,75
	X	Y																		
1	-3,03	-1,75																		
2	-3,03	1,75																		
3	0,00	3,50																		
4	3,03	1,75																		
5	3,03	-1,75																		

**You can find the component part drawing and assembly instructions on the next page.**

## Technical data

### General values

Connector design	female panel mount connector
Connector locking system	Push-Pull
Termination	solder
Wire gauge (mm)	0.75 mm <sup>2</sup>
Wire gauge (AWG)	18
Upper limit temperature	85 °C
Lower limit temperature	- 40 °C
Customs tariff number	85369010
Packaging Unit	15

### Electrical values

Rated current (40 °C)	6 A
Rated voltage	250 V
Rated impulse voltage	1500 V
Pollution degree	1
Overvoltage category	I
Insulating material group	III
Insulation resistance	≥ 10 <sup>10</sup> Ω
EMC compliance	shielding is not possible
Degree of protection	IP67
Mechanical operation	> 1000 Mating cycles

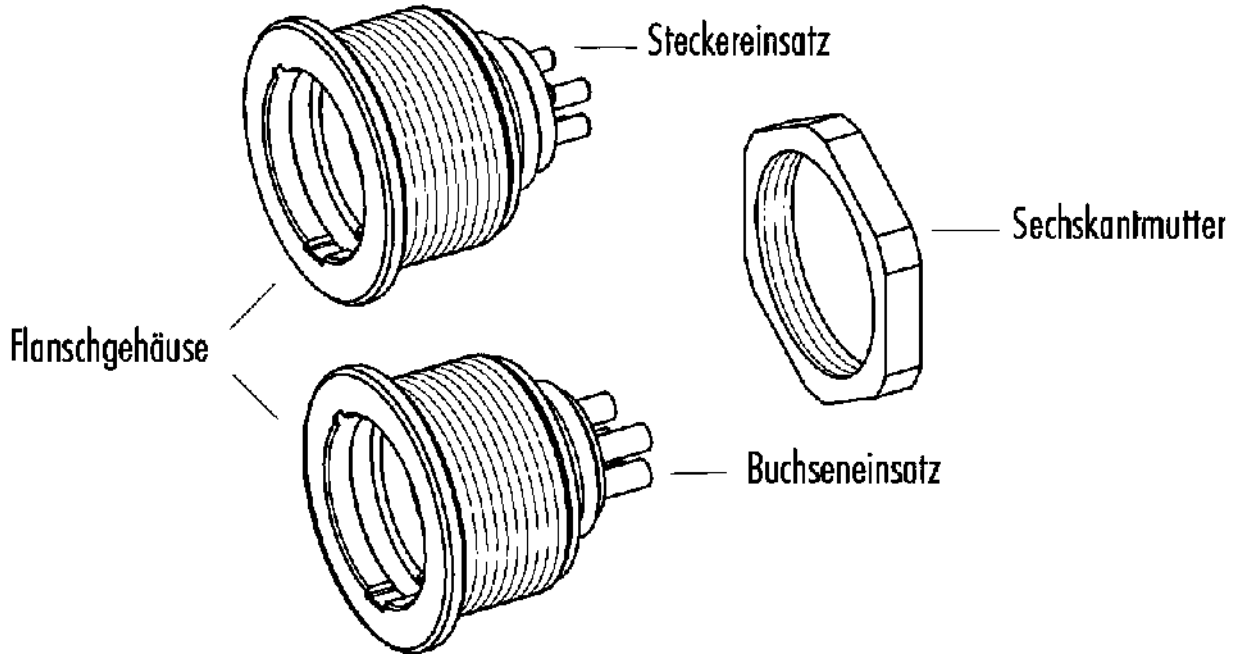
### Material

Contact material	CuSn (bronze)
Contact plating	Au (gold)
Contact body material	PBT (UL94 V-0)

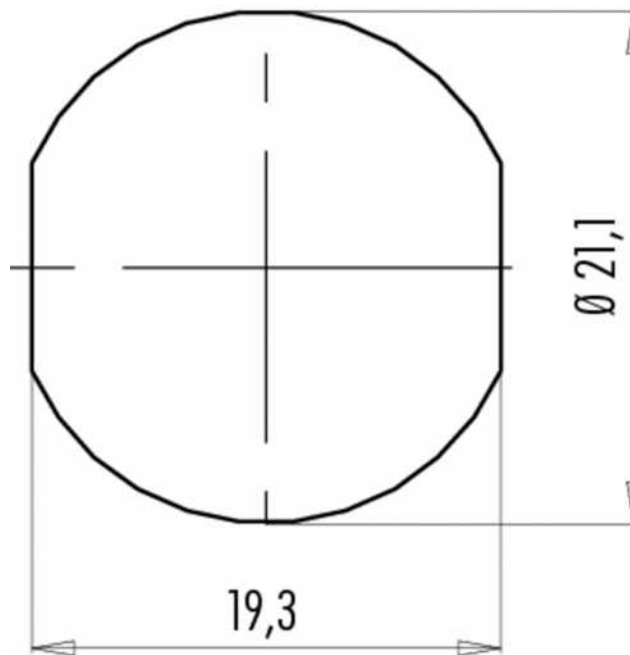
Product description **Push-Pull female panel mount connector, Contacts: 5, shielding is not possible, solder, IP67**

Area **Push-Pull series 440**  
Order number **09 4816 15 05**

Component part drawing



Assembly instructions / Panel cut-out



Product description	<b>Push-Pull female panel mount connector, Contacts: 5, shielding is not possible, solder, IP67</b>
Area	<b>Push-Pull series 440</b>
Order number	<b>09 4816 15 05</b>

## Security notices

The connector must not be connected or separated under load. Non-observance and incorrect use can result in personal injury.

The connectors are designed for use in plant, control system and electrical equipment. The end user is responsible for checking whether the connectors are suitable for use in other applications.

Connectors used in electrical circuits containing hazardous life parts must only be assembled and used by or under the supervision of persons with the requisite electrotechnical training, taking the applicable regulations and standards into account.

Connectors with degree of protection IP 67 and IP 68 are not suitable for use under water. When used outdoors, the connectors must be separately protected against corrosion. For further information about IP degrees of protection refer to 'Technical support' in the Download Centre.

The connector is not suitable for mains voltages. Please observe the pollution degrees and the overvoltage category. For further information refer to 'Technical support' in the Download Centre.