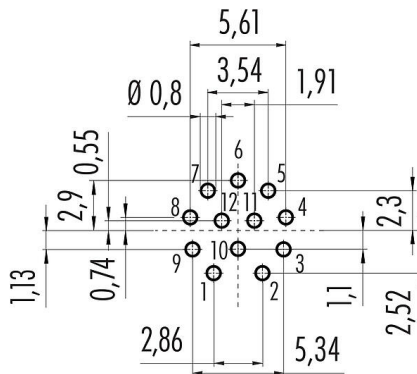


Product description **M12-A Male panel mount connector, Contacts: 12, unshielded, THT, IP68, M12x1.0**  
Area **M12-A series 763**  
Part no. **09 3491 969 12**

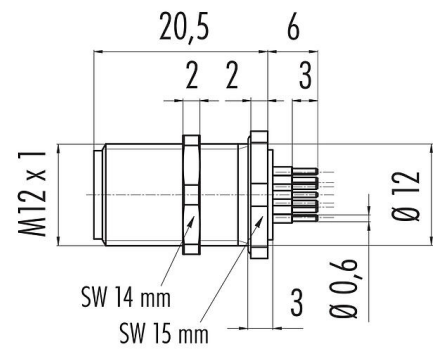
**Illustration**



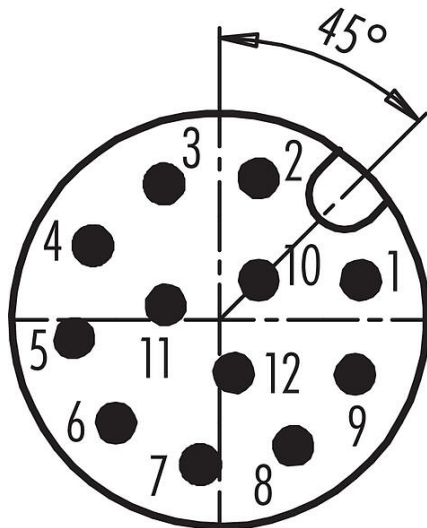
**Conductor layout**



**Scale drawing**



**Contact arrangement (Plug-in side)**



You can find the assembly instructions on the next page.

**Technical data**

**General features**

Part no.

**09 3491 969 12**

Connector design

Male panel mount connector

# Product data sheet

## Automation technology - sensors and actuators



Product description	<b>M12-A Male panel mount connector, Contacts: 12, unshielded, THT, IP68, M12x1.0</b>
Area	<b>M12-A series 763</b>
Part no.	<b>09 3491 969 12</b>

Version	Connector pin straight
Connector locking system	screw
Termination	THT
Degree of protection	IP68
Mechanical operation	> 100 Mating cycles
Weight (g)	9.44
Customs tariff number	85369010

### Electrical parameters

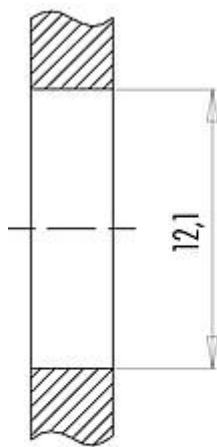
Rated voltage	30 V
Rated impulse voltage	500 V
Rated current (40 °C)	1.5 A (2 A UL)
Insulation resistance	> 10 <sup>8</sup> Ω
Pollution degree	3
Overvoltage category	II
Insulating material group	III
EMC compliance	unshielded

### Material

Housing material	Zinc die-cast nickel-plated
Contact body material	PA black
Contact material	CuZn (brass)
Contact plating	Au (gold)
REACH SVHC	CAS 7439-92-1 (Lead)
SCIP number	SCIP-number not available

Product description **M12-A Male panel mount connector, Contacts: 12, unshielded, THT, IP68, M12x1.0**  
Area **M12-A series 763**  
Part no. **09 3491 969 12**

**Assembly instructions / Panel cut-out**



**Tightening moment**

Metall housing/Plastic housing 1 Nm

Thickness of wall Y (mm)		
Version	min (mm)	max (mm)
Fastened from rear	2	3,5
Front fastened	2	4,5
positioning possible <sup>1)</sup>	2	3,5
Screw clamp	2	3,5
Thread M12 x 1	1,5	4,3
Thread M14 x 1 <sup>2)</sup>	<sup>3)</sup> 1,5/ <sup>4)</sup> 2	6,5

**Notes**

- <sup>1)</sup> Do not attach a chamfer
- <sup>2)</sup> Wall thickness:  
use locknut 01-5385 up to 1,5 mm,  
>1,5 mm cut thread
- <sup>3)</sup> Nut
- <sup>4)</sup> Thread in wall of housing

Product description	<b>M12-A Male panel mount connector, Contacts: 12, unshielded, THT, IP68, M12x1.0</b>
Area	<b>M12-A series 763</b>
Part no.	<b>09 3491 969 12</b>

### **General Disclaim Notice**

The connector must not be plugged or unplugged under load. Non-observance and improper use can result in personal injury.

The connectors have been developed for applications in plant engineering, control and electrical equipment construction. The user is responsible for checking whether the connectors can also be used in other areas of application.

The user must take suitable safety precautions to ensure that the connector cannot be accidentally disconnected.

Plug connectors with enclosure protection IP67 and IP68 are not suitable for use under water. For further information on the IP protection classes, please refer to the "Technical Information" download centre.