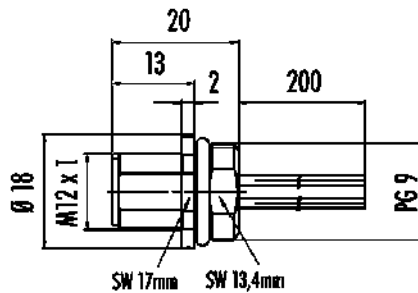


Product description	<b>M12-A Male panel mount connector, Contacts: 5, unshielded, single wires, IP67, UL, VDE, PG 9, for the power supply</b>
Area	<b>M12-A series 763</b>
Part no.	<b>09 3441 433 05</b>

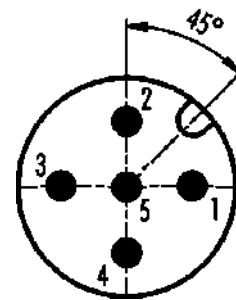
**Illustration**



**Scale drawing**



**Contact arrangement (Plug-in side)**



- 1 brown
- 2 white
- 3 blue
- 4 black
- 5 grey

You can find the assembly instructions on the next page.

**Technical data**

General features

Part no.	<b>09 3441 433 05</b>
Connector design	Male panel mount connector
Wire length	0.2 m
Version	Connector pin straight
Connector locking system	screw
Termination	single wires
Degree of protection	IP67
Cross-sectional area	0.90 mm <sup>2</sup> / AWG 18
Temperature range from/to	-40 °C / 85 °C
Mechanical operation	> 100 Mating cycles
Weight (g)	21.00
Customs tariff number	85369010

Electrical parameters

Rated voltage	60 V (125 V UL)
Rated impulse voltage	1500 V
Rated current (40 °C)	contacts 1-4: 8 A / Contact 5: 2 A
Insulation resistance	> 10 <sup>8</sup> Ω
Pollution degree	3
Overvoltage category	II
Insulating material group	III
EMC compliance	unshielded

Material

Housing material	Zinc die-cast nickel-plated
Contact body material	PA

Product description **M12-A Male panel mount connector, Contacts: 5, unshielded, single wires, IP67, UL, VDE, PG 9, for the power supply**  
 Area **M12-A series 763**  
 Part no. **09 3441 433 05**

Contact material CuZn (brass)  
 Contact plating Au (gold)  
 REACH SVHC CAS 7439-92-1 (Lead)  
 SCIP number 881daac5-5b30-4033-9c31-7092e9e15640

**Authorization/approvals**

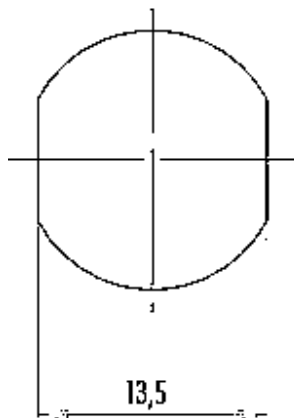
Approvals UL, VDE

**Classifications**

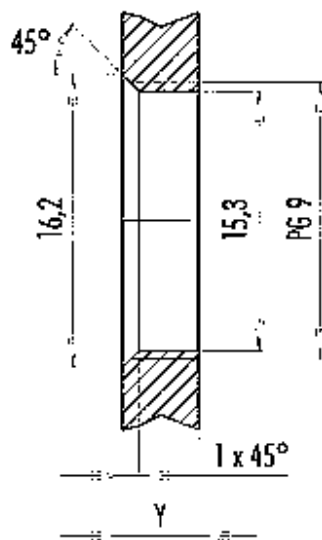
eClass 11.1 27-44-01-09  
 ETIM 7.0 EC003569

**Assembly instructions / Panel cut-out**

With flats as anti-rotation device



With bore hole



Installation direction: o-ring sits on chamfer.

**Tightening moment**

Metal housing/Plastic housing **1,25 Nm**

Thickness of wall Y (mm)		
Version	min (mm)	max (mm)
Fastened from rear	2	3,5
Front fastened	2	4,5
positioning possible <sup>1)</sup>	2	3,5
Screw clamp	2	3,5
Thread M12 x 1	2	3,0
Thread M14 x 1 <sup>2)</sup>	<sup>3)</sup> 1,5/ <sup>4)</sup> 2	6,5

**Notes**

- <sup>1)</sup> Do not attach a chamfer
- <sup>2)</sup> Wall thickness:  
use nut 38 5385 100 001 up to 1,5 mm,  
>1,5 mm cut thread
- <sup>3)</sup> Nut
- <sup>4)</sup> Thread in wall of housing

Product description	<b>M12-A Male panel mount connector, Contacts: 5, unshielded, single wires, IP67, UL, VDE, PG 9, for the power supply</b>
Area	<b>M12-A series 763</b>
Part no.	<b>09 3441 433 05</b>

### General Disclaim Notice

The connector must not be plugged or unplugged under load. Non-observance and improper use can result in personal injury.

The connectors have been developed for applications in plant engineering, control and electrical equipment construction. The user is responsible for checking whether the connectors can also be used in other areas of application.

The user must take suitable safety precautions to ensure that the connector cannot be accidentally disconnected.

Plug connectors with enclosure protection IP67 and IP68 are not suitable for use under water. For further information on the IP protection classes, please refer to the "Technical Information" download centre.