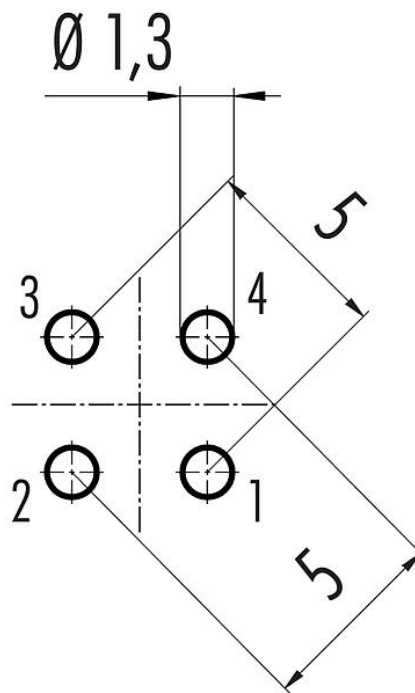


Product description	M12-A Female panel mount connector, Contacts: 4, unshielded, THT, IP68, PG 9, front fastened
Area	M12-A series 763
Part no.	09 3432 92 04

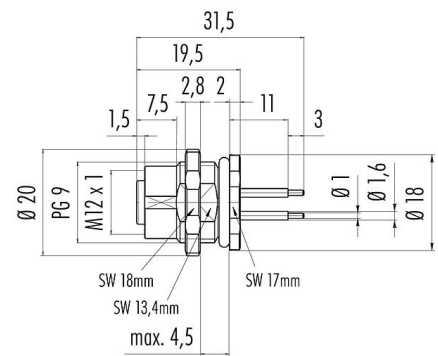
Illustration



Conductor layout

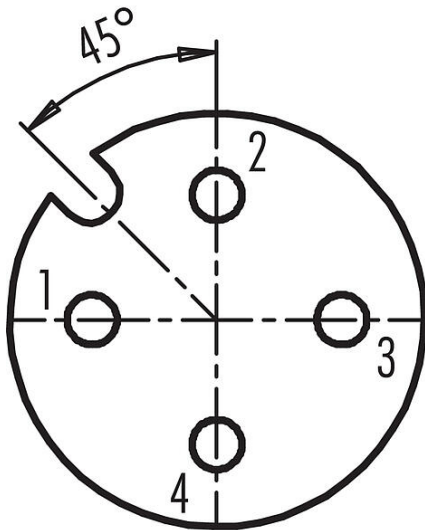


Scale drawing



Contact arrangement (Plug-in side)

Product description	M12-A Female panel mount connector, Contacts: 4, unshielded, THT, IP68, PG 9, front fastened
Area	M12-A series 763
Part no.	09 3432 92 04



You can find the assembly instructions on the next page.

Technical data

General features

Part no.	09 3432 92 04
Connector design	Female panel mount connector
Version	Connector socket straight
Connector locking system	screw
Termination	THT
Degree of protection	IP68
Temperature range from/to	-40 °C / 85 °C
Mechanical operation	> 100 Mating cycles
Weight (g)	12.52
Customs tariff number	85369010

Electrical parameters

Rated voltage	250 V
Rated impulse voltage	2500 V
Rated current (40 °C)	4.0 A
Insulation resistance	> 10 ⁸ Ω
Pollution degree	3
Overvoltage category	II
Insulating material group	III
EMC compliance	unshielded

Product data sheet

Automation technology - sensors and actuators

Product description	M12-A Female panel mount connector, Contacts: 4, unshielded, THT, IP68, PG 9, front fastened
Area	M12-A series 763
Part no.	09 3432 92 04

Material

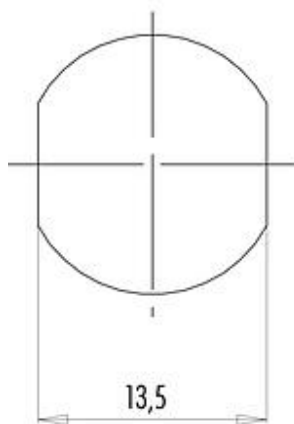
Housing material	Zinc die-cast nickel-plated
Contact body material	PA
Contact material	CuSn (bronze)
Contact plating	Au (gold)
Contact length	12.0 mm
REACH SVHC	CAS 7439-92-1 (Lead)
SCIP number	4d141594-a6e7-4aae-96df-16ffc8287cee

Classifications

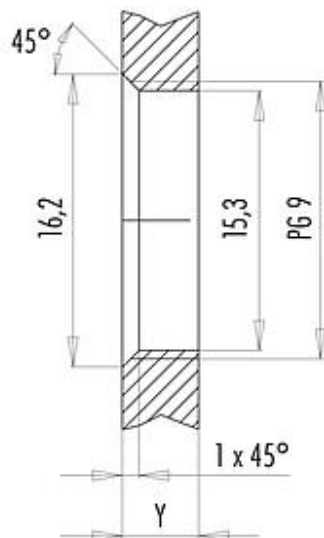
eCl@ss 11.1	27-44-01-09
ETIM 7.0	EC003569

Assembly instructions / Panel cut-out

With flats as anti-rotation device



With bore hole



Installation direction: o-ring sits on chamfer.

Tightening moment

Metall housing/Plastic housing 1,25 Nm

Thickness of wall Y (mm)		
Version	min (mm)	max (mm)
Fastened from rear	2	3,5
Front fastened	2	4,5
positioning possible ¹⁾	2	3,5
Screw clamp	2	3,5
Thread M12 x 1	2	3,0
Thread M14 x 1 ²⁾	³⁾ 1,5/ ⁴⁾ 2	6,5

Notes

¹⁾ Do not attach a chamfer

²⁾ Wall thickness:

use nut 38 5385 100 001 up to 1,5 mm,
>1,5 mm cut thread

³⁾ Nut

⁴⁾ Thread in wall of housing

Product description	M12-A Female panel mount connector, Contacts: 4, unshielded, THT, IP68, PG 9, front fastened
Area	M12-A series 763
Part no.	09 3432 92 04

General Disclaim Notice

The connector must not be plugged or unplugged under load. Non-observance and improper use can result in personal injury.

The connectors have been developed for applications in plant engineering, control and electrical equipment construction. The user is responsible for checking whether the connectors can also be used in other areas of application.

The user must take suitable safety precautions to ensure that the connector cannot be accidentally disconnected.

Plug connectors with enclosure protection IP67 and IP68 are not suitable for use under water. For further information on the IP protection classes, please refer to the "Technical Information" download centre.