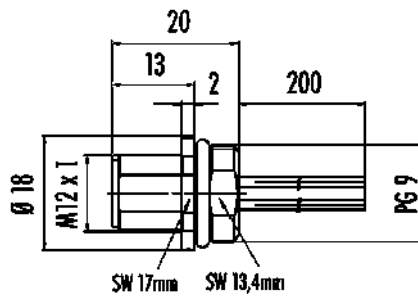


Product description	Male panel mount connector, Contacts: 4, unshielded, single wires, IP67, UL, VDE, PG 9, for the power supply
Area	series 763
Part no.	09 3431 433 04

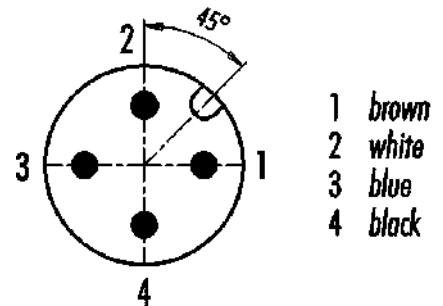
Illustration



Scale drawing



Contact arrangement (Plug-in side)



You can find the assembly instructions on the next page.

Technical data

General features

Part no.	09 3431 433 04
Connector design	Male panel mount connector
Wire length	0.2 m
Version	Connector pin straight
Connector locking system	screw
Termination	single wires
Degree of protection	IP67
Cross-sectional area	0.90 mm ² / AWG 18
Temperature range from/to	-40 °C / 85 °C
Mechanical operation	> 100 Mating cycles
Weight (g)	18.65
Customs tariff number	85369010

Electrical parameters

Rated voltage	250 V
Rated impulse voltage	2500 V
Rated current (40 °C)	8.0 A
Insulation resistance	> 10 ⁹ Ω
Pollution degree	3
Overvoltage category	II
Insulating material group	III
EMC compliance	unshielded

Material

Housing material	Zinc die-cast nickel-plated
Contact body material	PA
Contact material	CuZn (brass)

Product description **Male panel mount connector, Contacts: 4, unshielded, single wires, IP67, UL, VDE, PG 9, for the power supply**
 Area **series 763**
 Part no. **09 3431 433 04**

Contact plating Au (gold)
 REACH SVHC CAS 7439-92-1 (Lead)
 SCIP number 9577a33e-0722-478a-8ba1-1245e931316d

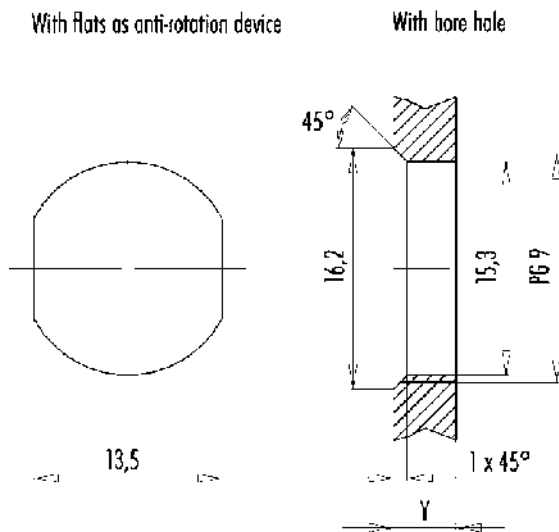
Authorization/approvals

Approvals UL, VDE

Classifications

eCl@ss 11.1 27-44-01-09
 ETIM 9.0 EC003569

Assembly instructions / Panel cut-out



Installation direction: o-ring sits on chamfer.

Tightening moment

Metall housing/Plastic housing 1,25 Nm

Thickness of wall Y (mm)		
Version	min (mm)	max (mm)
Fastened from rear	2	3,5
Front fastened	2	4,5
positioning possible ¹⁾	2	3,5
Screw clamp	2	3,5
Thread M12 x 1	2	3,0
Thread M14 x 1 ²⁾	³⁾ 1,5/ ⁴⁾ 2	6,5

Notes

- ¹⁾ Do not attach a chamfer
- ²⁾ Wall thickness:
use nut 38 5385 100 001 up to 1,5 mm,
>1,5 mm cut thread
- ³⁾ Nut
- ⁴⁾ Thread in wall of housing

Product description	Male panel mount connector, Contacts: 4, unshielded, single wires, IP67, UL, VDE, PG 9, for the power supply
-	-
Area	series 763
Part no.	09 3431 433 04

Security notices

The connector must not be plugged or unplugged under load. Non-observance and improper use can result in personal injury.

The connectors have been developed for applications in plant engineering, control and electrical equipment construction. The user is responsible for checking whether the connectors can also be used in other areas of application.

The user must take suitable safety precautions to ensure that the connector cannot be accidentally disconnected.

Plug connectors with enclosure protection IP67 and IP68 are not suitable for use under water. For further information on the IP protection classes, please refer to the "Technical Information" download centre.