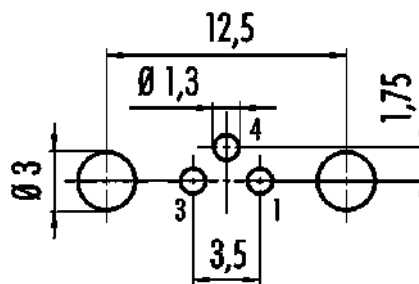


Product description	M8 Female panel mount connector, Contacts: 3, shieldable, THT, IP67, M10x0.75, front fastened
Area	M8 series 718
Part no.	09 3418 81 03

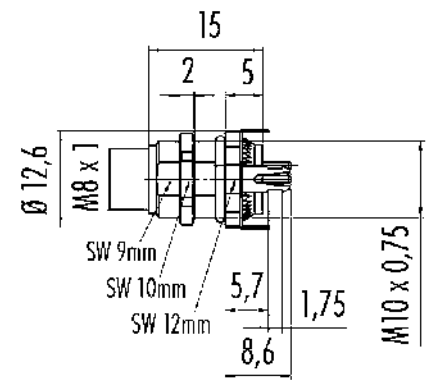
Illustration



Conductor layout

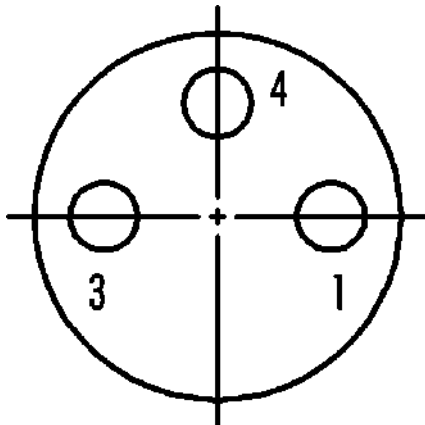


Scale drawing



Leiterplattendicke: 1,6 mm

Contact arrangement (Plug-in side)



You can find the assembly instructions on the next page.

Technical data

General features

Part no.	09 3418 81 03
Connector design	Female panel mount connector
Version	Connector socket straight

Product data sheet

Automation technology - sensors and actuators



Product description	M8 Female panel mount connector, Contacts: 3, shieldable, THT, IP67, M10x0.75, front fastened
Area	M8 series 718
Part no.	09 3418 81 03

Connector locking system	screw
Termination	THT
Degree of protection	IP67
Temperature range from/to	-40 °C / 85 °C
Mechanical operation	> 100 Mating cycles
Weight (g)	5.284
Customs tariff number	85369010

Electrical parameters

Rated voltage	60 V
Rated impulse voltage	1500 V
Rated current (40 °C)	4.0 A
Pollution degree	3
Overvoltage category	II
Insulating material group	II
EMC compliance	shieldable
Shield connection	Shielding plate

Material

Housing material	Zinc die-cast nickel-plated
Contact body material	PA black
Contact material	CuSn (bronze)
Contact plating	Au (gold)
REACH SVHC	CAS 7439-92-1 (Lead)
SCIP number	03c31d19-0ff5-4c15-ad91-072cfc8134a4

Classifications

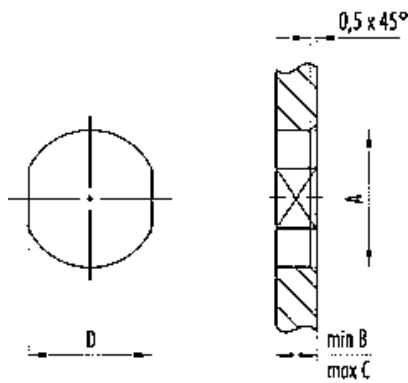
eCl@ss 11.1	27-44-01-09
ETIM 7.0	EC003569

Product description **M8 Female panel mount connector, Contacts: 3, shieldable, THT, IP67, M10x0.75, front fastened**
 Area **M8 series 718**
 Part no. **09 3418 81 03**

Assembly instructions / Panel cut-out

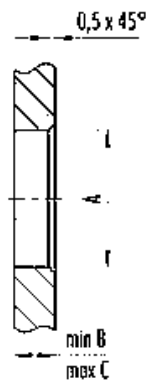
1st Installation proposal

With flats as anti-rotation device



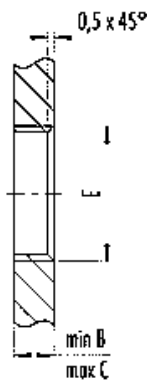
2nd Installation proposal

With bore hole



3rd Installation proposal

With thread to screw in



Thread E.	A	B	C	D
M8 x 1	8,1	2,0	3,5	7,1
M10 x 0,75	10,1	2,0	6,5	9,1
M12 x 1	12,1	2,5	4,5	10,0

Tightening torque 1 Nm

Product description	M8 Female panel mount connector, Contacts: 3, shieldable, THT, IP67, M10x0.75, front fastened
Area	M8 series 718
Part no.	09 3418 81 03

General Disclaim Notice

The connectors have been developed for applications in plant engineering, control and electrical equipment construction. The user is responsible for checking whether the connectors can also be used in other areas of application.

Plug connectors with enclosure protection IP67 and IP68 are not suitable for use under water. When used outdoors, the plug connectors must be protected separately against corrosion. For further information on the IP protection classes, please refer to the "Technical Information" download centre.