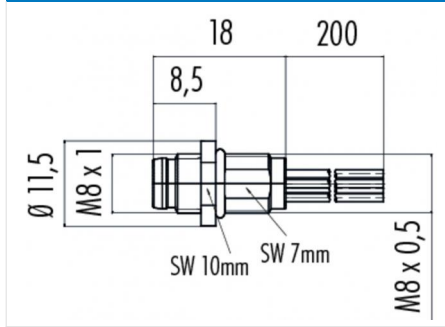


Product description	<b>Contacts: 4, male panel mount connector with single wires, 0.25mm<sup>2</sup>, UL approval</b>
Area	<b>M8 Series 768/718</b>
Order number	<b>09 3391 00 04</b>

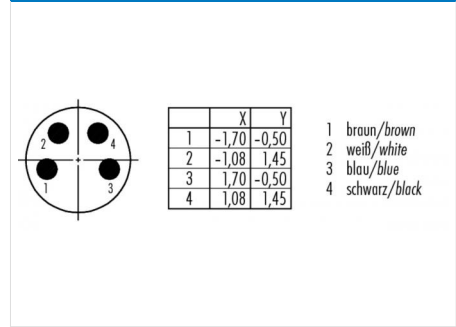
**Illustration**



**Scale drawing**



**Contact arrangement**



You can find the assembly instructions on the next page.

**Technical data**

**General values**

Connector design	male panel mount connector
Connector locking system	snap
Termination	single wires
Wire gauge (mm)	0,25 mm <sup>2</sup>
Wire gauge (AWG)	(24)
Upper limit temperature	85 °C
Lower limit temperature	-40 °C

**Cable data**

Approval 1	UL
------------	----

**Electrical values**

Rated current (40 °C)	4 A
Rated voltage	60 V
Rated impulse voltage	1500 V
Pollution degree	3
Overvoltage category	II
Insulating material group	II
Volume resistivity	≤ 3 mΩ
EMC compliance	not shielded
Degree of protection	IP65
Mechanical operation	> 100 Mating cycles

**Material**

Contact material	CuZn (brass)
Contact plating	Au (gold)
Contact body material	PA
Housing material	CuZn (Messing vernickelt)

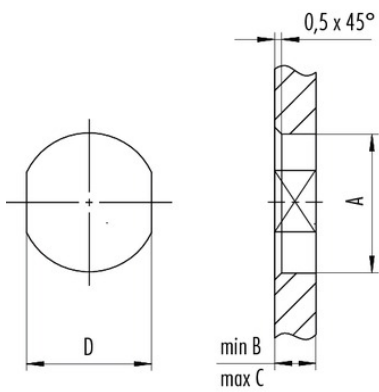
Product description **Contacts: 4, male panel mount connector with single wires, 0.25mm<sup>2</sup>, UL approval**

Area **M8 Series 768/718**  
 Order number **09 3391 00 04**

Assembly instructions / Panel cut-out

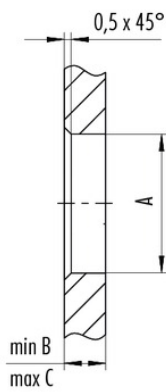
1<sup>st</sup> Installation proposal

With flats as anti-rotation device



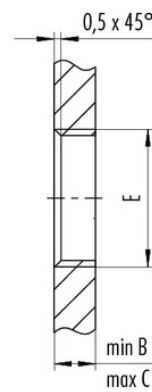
2<sup>nd</sup> Installation proposal

With bore hole



3<sup>rd</sup> Installation proposal

With thread to screw in



thread E	A	B	C	D
M8 x 0,5	8,1	2,5	3,5	7,1
M8 x 1	8,1	2,5	3,5	7,1
M10 x 0,75	10,1	2,5	5,0	9,1

Tightening torque 1 Nm

Product description      **Contacts: 4, male panel mount connector with single wires, 0.25mm<sup>2</sup>, UL approval**

Area                              **M8 Series 768/718**  
Order number                **09 3391 00 04**

## Security notices

The connectors are designed for use in plant, control system and electrical equipment. The end user is responsible for checking whether the connectors are suitable for use in other applications. Connectors with degree of protection IP 67 and IP 68 are not suitable for use under water. When used outdoors, the connectors must be separately protected against corrosion. For further information about IP degrees of protection refer to 'Technical support' in the Download Centre.