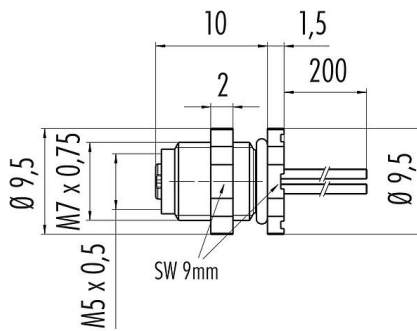


Product description	M5 Female panel mount connector, Contacts: 4, unshielded, single wires, IP67, front fastened
Area	M5 series 707
Part no.	09 3112 86 04

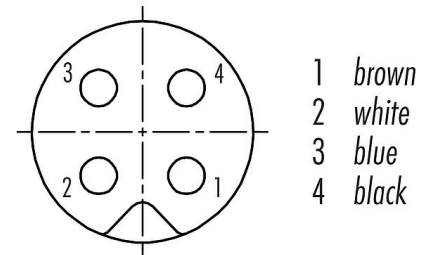
Illustration



Scale drawing



Contact arrangement (Plug-in side)



You can find the assembly instructions on the next page.

Technical data

General features

Part no.	09 3112 86 04
Connector design	Female panel mount connector
Wire length	0.2 m
Version	Connector socket straight
Connector locking system	screw
Termination	single wires
Degree of protection	IP67
Cross-sectional area	0.14 mm ² / AWG 26
Temperature range from/to	-25 °C / 80 °C
Mechanical operation	> 100 Mating cycles
Weight (g)	5.34
Customs tariff number	85369010

Electrical parameters

Rated voltage	60 V
Rated impulse voltage	800 V
Rated current (40 °C)	1.0 A
Insulation resistance	> 10 ¹⁰ Ω
Pollution degree	3
Overvoltage category	II
Insulating material group	I
EMC compliance	unshielded

Material

Contact body material	PA
-----------------------	----

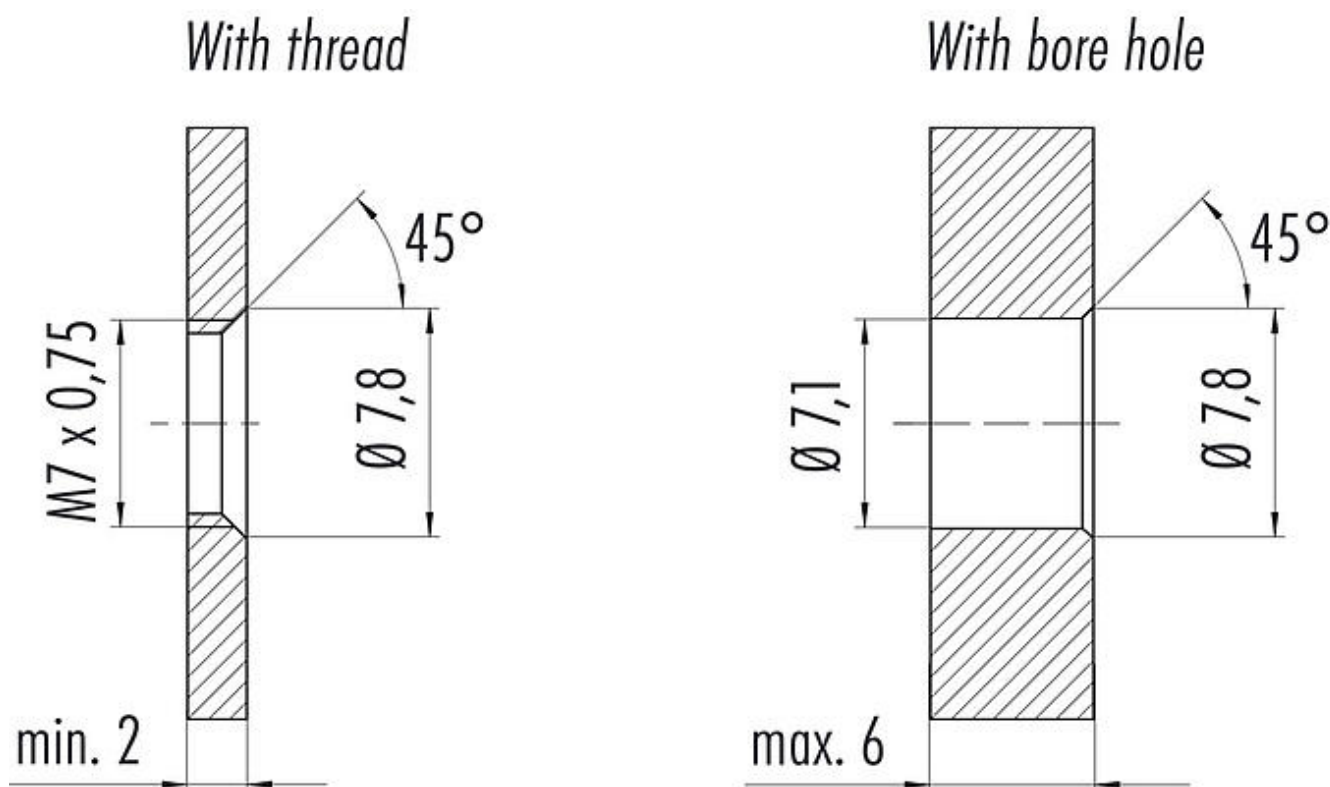
Product description **M5 Female panel mount connector, Contacts: 4, unshielded, single wires, IP67, front fastened**
Area **M5 series 707**
Part no. **09 3112 86 04**

Contact material CuSn (bronze)
Contact plating Au (gold)
REACH SVHC CAS 7439-92-1 (Lead)
SCIP number 86f7e751-004b-477c-a665-7398af013cf9

Classifications

eCl@ss 11.1 27-44-01-09
ETIM 7.0 EC003569

Assembly instructions / Panel cut-out



Product description	M5 Female panel mount connector, Contacts: 4, unshielded, single wires, IP67, front fastened
-	-
Area	M5 series 707
Part no.	09 3112 86 04

General Disclaim Notice

The connectors have been developed for applications in plant engineering, control and electrical equipment construction. The user is responsible for checking whether the connectors can also be used in other areas of application.

Plug connectors with enclosure protection IP67 and IP68 are not suitable for use under water. When used outdoors, the plug connectors must be protected separately against corrosion. For further information on the IP protection classes, please refer to the "Technical Information" download centre.