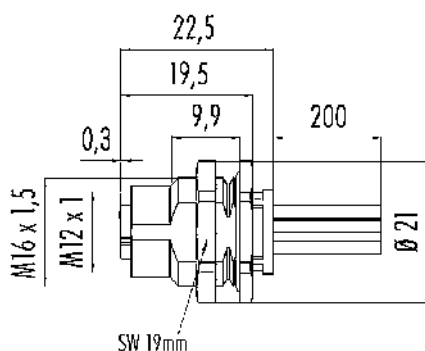


Product description	M12-K Female panel mount connector, Contacts: 4+PE, unshielded, single wires, IP68, UL, M16x1.5, screwable from the front
Area	M12-K series 824
Part no.	09 0702 800 05

Illustration

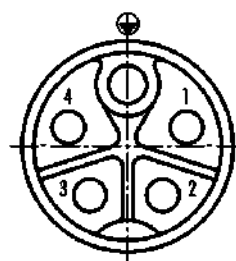


Scale drawing



Sechskantmutter lose beigelegt
Hexagon nut enclosed loose

Contact arrangement (Plug-in side)



- 1 black
- 2 black
- 3 black
- 4 black
- PE yellow/green

You can find the assembly instructions on the next page.

Technical data

General features

Part no.	09 0702 800 05
Connector design	Female panel mount connector
Version	Connector socket straight
Connector locking system	screw
Termination	single wires
Degree of protection	IP68
Cross-sectional area	AWG 14
Temperature range from/to	-40 °C / 85 °C
Mechanical operation	> 100 Mating cycles
Additional information	screwable from the front
Weight (g)	39.88
Customs tariff number	85369010

Electrical parameters

Rated voltage	630 V
Rated impulse voltage	6000 V
Rated impulse voltage UL	6000 V
Rated current (40 °C)	12.0 A
Insulation resistance	> 10 ¹⁰ Ω
Pollution degree	3
Overvoltage category	III
Insulating material group	II
EMC compliance	unshielded

Product description	M12-K Female panel mount connector, Contacts: 4+PE, unshielded, single wires, IP68, UL, M16x1.5, screwable from the front
-	-
Area	M12-K series 824
Part no.	09 0702 800 05

Material

Housing material	CuZn (Brass nickel plated)
Contact body material	PA
Contact material	CuSn (bronze)
Contact plating	Au (gold)
REACH SVHC	CAS 7439-92-1 (Lead)
SCIP number	c0bb26b1-7105-4e59-aa27-7a29d903e26a

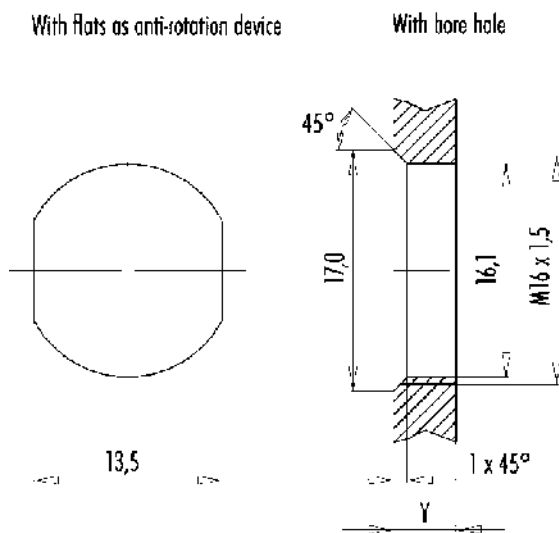
Authorization/approvals

Approvals	UL
-----------	----

Classifications

eCl@ss 11.1	27-44-01-09
ETIM 9.0	EC003569

Assembly instructions / Panel cut-out



Installation direction: o-ring sits on chamfer.

Tightening moment

Metall housing/Plastic housing 1,25 Nm

Thickness of wall Y (mm)		
Version	min (mm)	max (mm)
Fastened from rear	2	3,5
Front fastened	2	4,5
positioning possible ¹⁾	2	3,5
Screw clamp	2	3,5
Thread M12 x 1	2	3,0
Thread M14 x 1 ²⁾	³⁾ 1,5/ ⁴⁾ 2	6,5

Notes

- ¹⁾ Do not attach a chamfer
- ²⁾ Wall thickness:
use nut 38 5385 100 001 up to 1,5 mm,
>1,5 mm cut thread
- ³⁾ Nut
- ⁴⁾ Thread in wall of housing

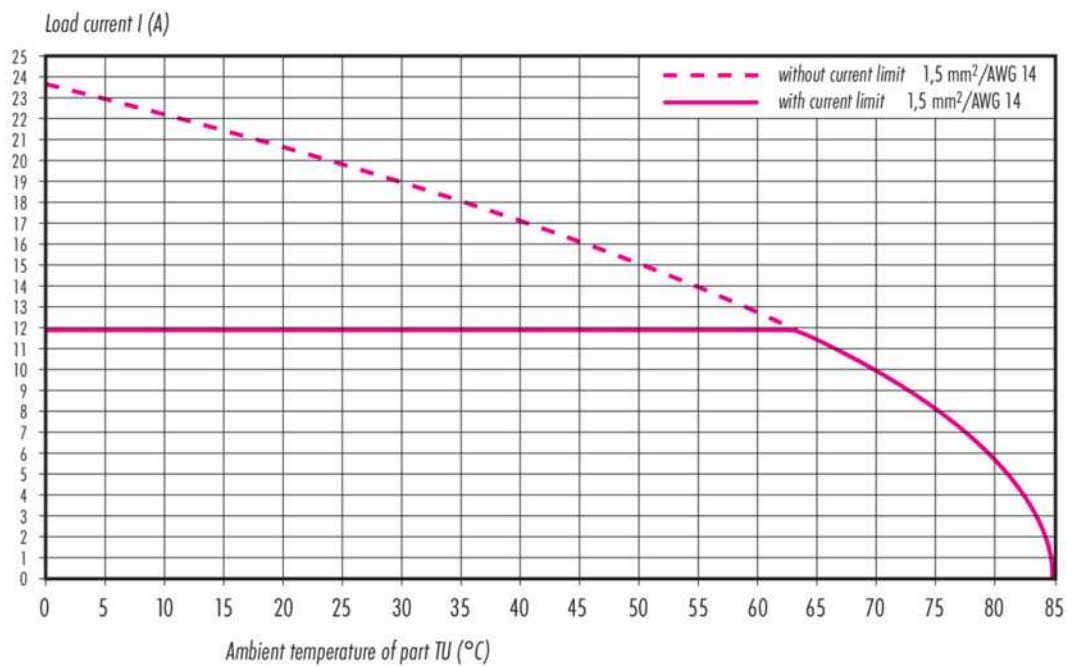
Product data sheet

Automation Technology - Voltage and Power Supply



Product description	M12-K Female panel mount connector, Contacts: 4+PE, unshielded, single wires, IP68, UL, M16x1.5, screwable from the front
-	-
Area	M12-K series 824
Part no.	09 0702 800 05

Derating curve



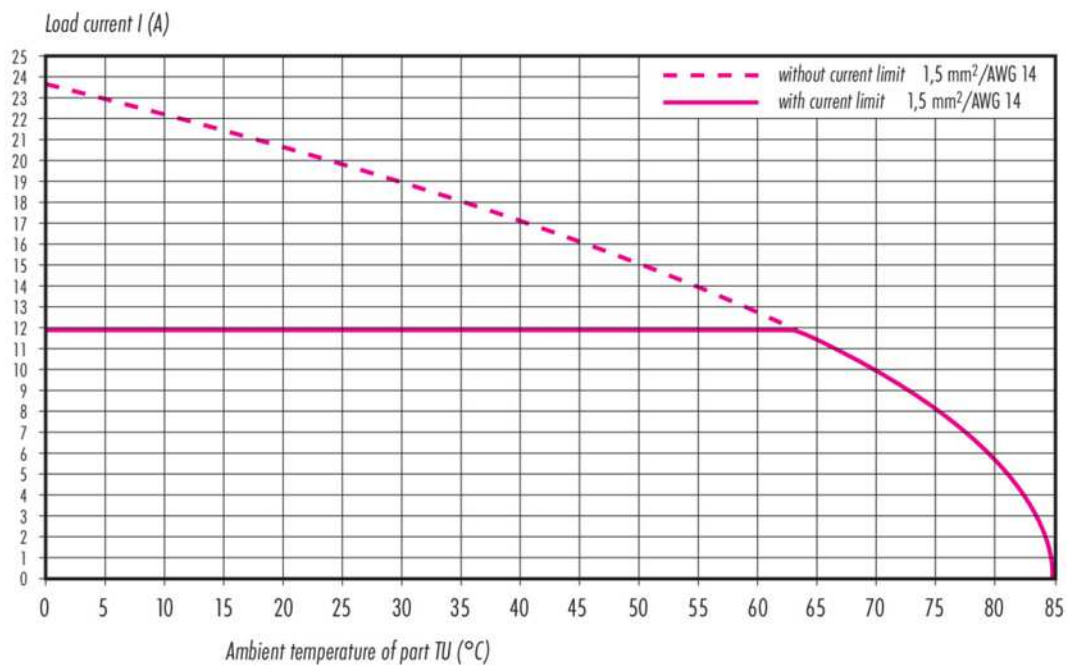
Product data sheet

Automation Technology - Voltage and Power Supply



Product description	M12-K Female panel mount connector, Contacts: 4+PE, unshielded, single wires, IP68, UL, M16x1.5, screwable from the front
-	-
Area	M12-K series 824
Part no.	09 0702 800 05

Derating curve



Product description	M12-K Female panel mount connector, Contacts: 4+PE, unshielded, single wires, IP68, UL, M16x1.5, screwable from the front
-	-
Area	M12-K series 824
Part no.	09 0702 800 05

Security notices

The connector must not be plugged or unplugged under load. Non-observance and improper use can result in personal injury.

The connectors have been developed for applications in plant engineering, control and electrical equipment construction. The user is responsible for checking whether the connectors can also be used in other areas of application.

To protect against unintentional opening of the connector, the thread between the housing and the connector head must be secured with a suitable cyanoacrylate adhesive when used in circuits with voltages dangerous to the touch. This does not apply to connectors used in SELV and PELV circuits according to IEC 61140 (EN 61140, VDE 0140-1).

Connectors which are used in circuits with voltages dangerous to the touch may only be installed and used by, or under the supervision of, persons with electrical engineering training, taking into account the applicable regulations and standards.

The user must take suitable safety precautions to ensure that the connector cannot be accidentally disconnected.

Plug connectors with enclosure protection IP67 and IP68 are not suitable for use under water. When used outdoors, the plug connectors must be protected separately against corrosion. For further information on the IP protection classes, please refer to the "Technical Information" download centre.

To lock the cable connector with the device connector, the threaded ring is tightened "hand-tight" (approx. 60 cNm).

In the case of cable connectors with a metal threaded ring, it is imperative to ensure a connection with the PE protective contact of the appliance connector. Connecting cables between appliance connectors that are not connected to the PE contact are not permitted. The user must ensure a continuous connection of the protective earth conductor.