

Product data sheet

Automation Technology - Voltage and Power Supply

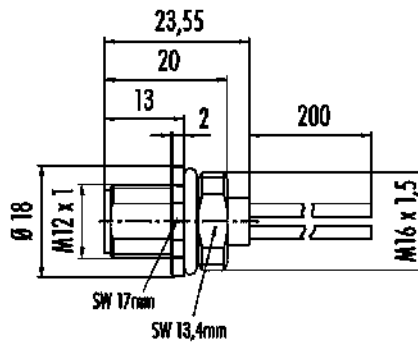


Product description	M12-S Male panel mount connector, Contacts: 3+PE, unshielded, single wires, IP68, UL, VDE, M16x1.5
Area	M12-S series 814
Part no.	09 0691 700 04

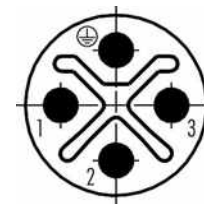
Illustration



Scale drawing



Contact arrangement (Plug-in side)



- 1 black
- 2 black
- 3 black
- PE yellow/green

You can find the assembly instructions on the next page.

Technical data

General features

Part no.	09 0691 700 04
Connector design	Male panel mount connector
Version	Connector pin straight
Connector locking system	screw
Termination	single wires
Degree of protection	IP68
Cross-sectional area	1.38 mm ² / AWG 16
Temperature range from/to	-40 °C / 85 °C
Mechanical operation	> 100 Mating cycles
Weight (g)	22.50
Customs tariff number	85369010

Electrical parameters

Rated voltage	630 V
Rated impulse voltage	6000 V
Rated current (40 °C)	12.0 A
Pollution degree	3
Overtoltage category	III
Insulating material group	II
EMC compliance	unshielded

Material

Housing material	Zinc die-cast nickel-plated
Contact body material	PA
Contact material	CuZn (brass)



Product description	M12-S Male panel mount connector, Contacts: 3+PE, unshielded, single wires, IP68, UL, VDE, M16x1.5
Area	M12-S series 814
Part no.	09 0691 700 04

Contact plating	Au (gold)
REACH SVHC	CAS 7439-92-1 (Lead)
SCIP number	SCIP-number not available

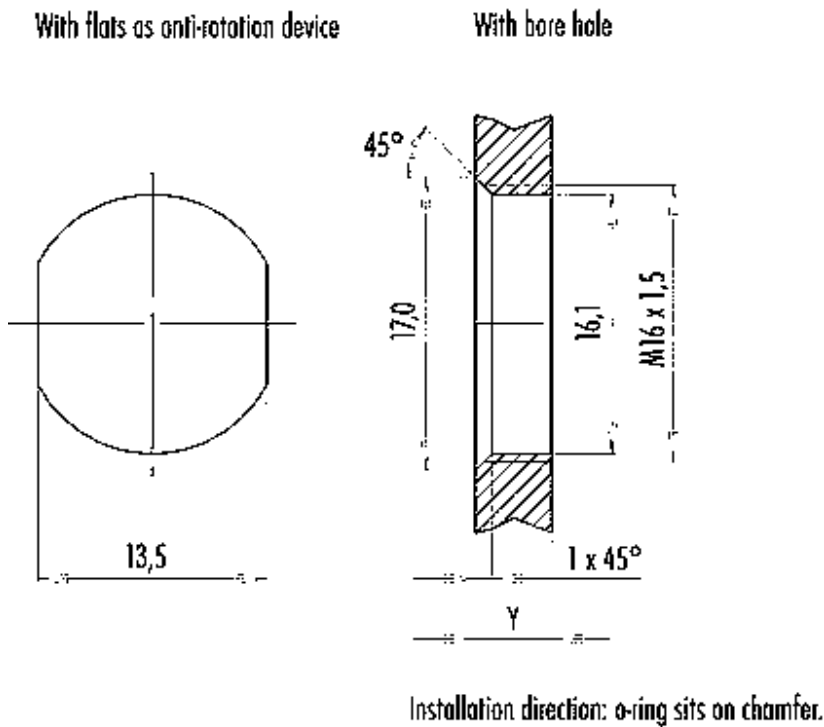
Authorization/approvals

Approvals	UL, VDE
-----------	---------

Classifications

eCl@ss 11.1	27-44-01-09
ETIM 7.0	EC003569

Assembly instructions / Panel cut-out



Tightening moment
 Metall housing/Plastic housing 1,25 Nm

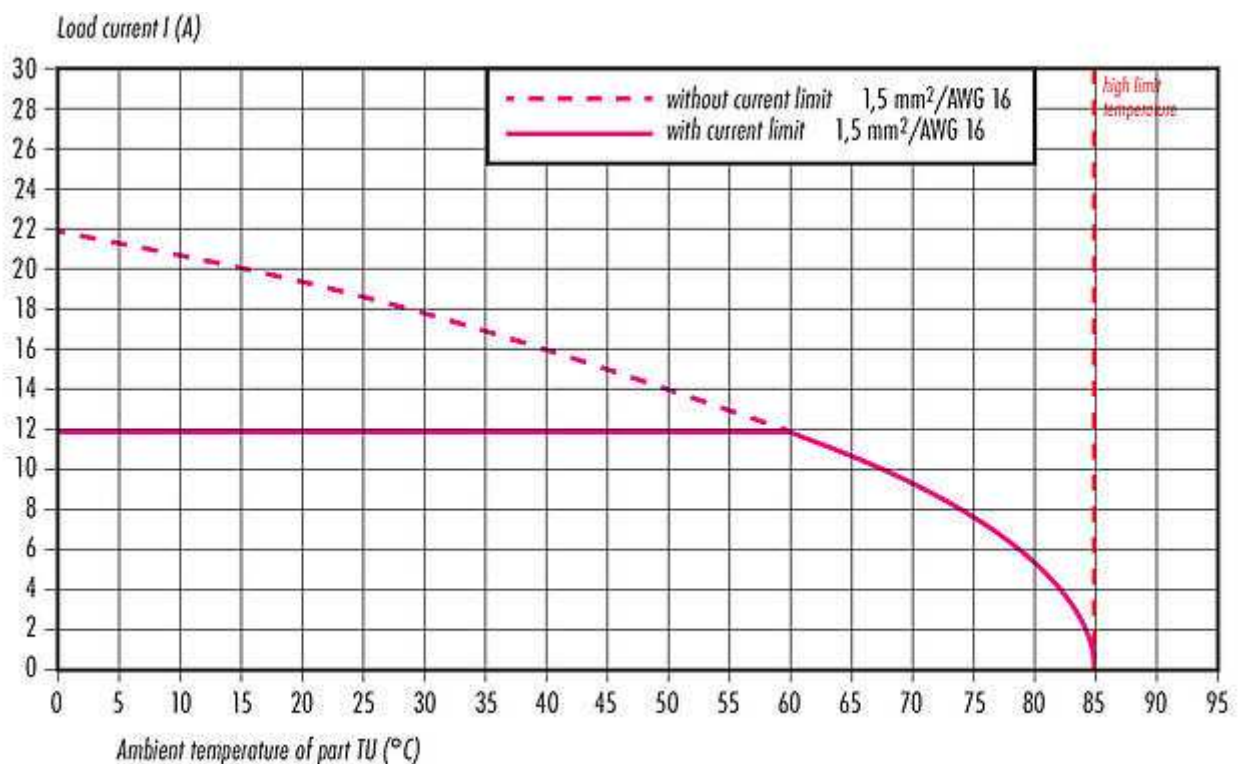
Thickness of wall Y (mm)		
Version	min (mm)	max (mm)
Fastened from rear	2	3,5
Front fastened	2	4,5
positioning possible ¹⁾	2	3,5
Screw clamp	2	3,5
Thread M12 x 1	2	3,0
Thread M14 x 1 ²⁾	³⁾ 1,5/ ⁴⁾ 2	6,5

Notes

- ¹⁾ Do not attach a chamfer
- ²⁾ Wall thickness:
 use nut 38 5385 100 001 up to 1,5 mm,
 >1,5 mm cut thread
- ³⁾ Nut
- ⁴⁾ Thread in wall of housing

Product description	M12-S Male panel mount connector, Contacts: 3+PE, unshielded, single wires, IP68, UL, VDE, M16x1.5
Area	M12-S series 814
Part no.	09 0691 700 04

Derating curve



Product description	M12-S Male panel mount connector, Contacts: 3+PE, unshielded, single wires, IP68, UL, VDE, M16x1.5
Area	M12-S series 814
Part no.	09 0691 700 04

General Disclaim Notice

The connector must not be plugged or unplugged under load. Non-observance and improper use can result in personal injury.

The connectors have been developed for applications in plant engineering, control and electrical equipment construction. The user is responsible for checking whether the connectors can also be used in other areas of application.

The user must take suitable safety precautions to ensure that the connector cannot be accidentally disconnected.

Plug connectors with enclosure protection IP67 and IP68 are not suitable for use under water. When used outdoors, the plug connectors must be protected separately against corrosion. For further information on the IP protection classes, please refer to the "Technical Information" download centre.

In the case of cable connectors with a metal threaded ring, it is imperative to ensure a connection with the PE protective contact of the appliance connector. Connecting cables between appliance connectors that are not connected to the PE contact are not permitted. The user must ensure a continuous connection of the protective earth conductor.