

Product data sheet

Automation Technology - Voltage and Power Supply

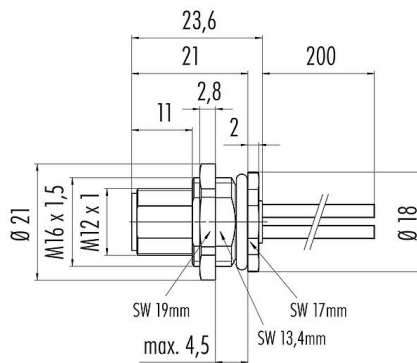


Product description	M12-T Male panel mount connector, Contacts: 4, unshielded, single wires, IP68, UL, VDE, M16x1.5, front fastened
Area	M12-T series 813
Part no.	09 0631 120 04

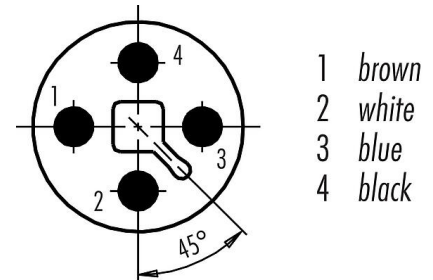
Illustration



Scale drawing



Contact arrangement (Plug-in side)



You can find the assembly instructions on the next page.

Technical data

General features

Part no.	09 0631 120 04
Connector design	Male panel mount connector
Version	Connector pin straight
Connector locking system	screw
Termination	single wires
Degree of protection	IP68
Cross-sectional area	1.38 mm ² / AWG 16
Temperature range from/to	-40 °C / 85 °C
Mechanical operation	> 100 Mating cycles
Weight (g)	27.50
Customs tariff number	85369010

Electrical parameters

Rated voltage	63 V
Rated impulse voltage	1500 V
Rated current (40 °C)	12.0 A
Pollution degree	3
Overvoltage category	III
Insulating material group	II
EMC compliance	unshielded

Material

Housing material	Zinc die-cast nickel-plated
Contact body material	PA

Product data sheet

Automation Technology - Voltage and Power Supply



Product description **M12-T Male panel mount connector, Contacts: 4, unshielded, single wires, IP68, UL, VDE, M16x1.5, front fastened**

Area **M12-T series 813**

Part no. **09 0631 120 04**

Contact material CuZn (brass)

Contact plating Au (gold)

REACH SVHC CAS 7439-92-1 (Lead)

SCIP number 8b070be5-f293-41b8-a23c-b79679b296e9

Authorization/approvals

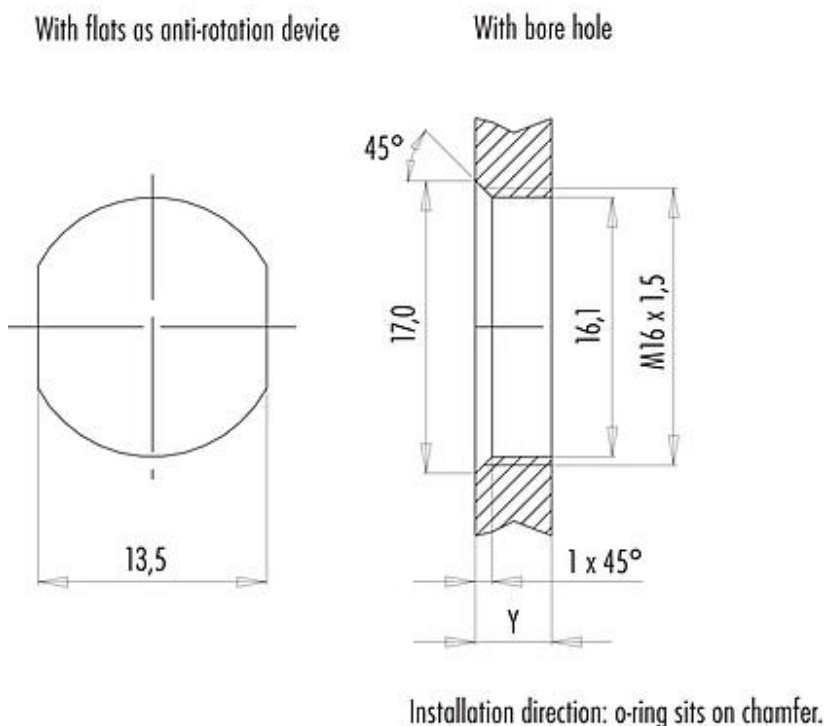
Approvals UL, VDE

Classifications

eClass 11.1 27-44-01-09

ETIM 7.0 EC003569

Assembly instructions / Panel cut-out



Tightening moment

Metal housing/Plastic housing 1,25 Nm

Thickness of wall Y (mm)		
Version	min (mm)	max (mm)
Fastened from rear	2	3,5
Front fastened	2	4,5
positioning possible ¹⁾	2	3,5
Screw clamp	2	3,5
Thread M12 x 1	2	3,0
Thread M14 x 1 ²⁾	³⁾ 1,5/ ⁴⁾ 2	6,5

Notes

¹⁾ Do not attach a chamfer

²⁾ Wall thickness:

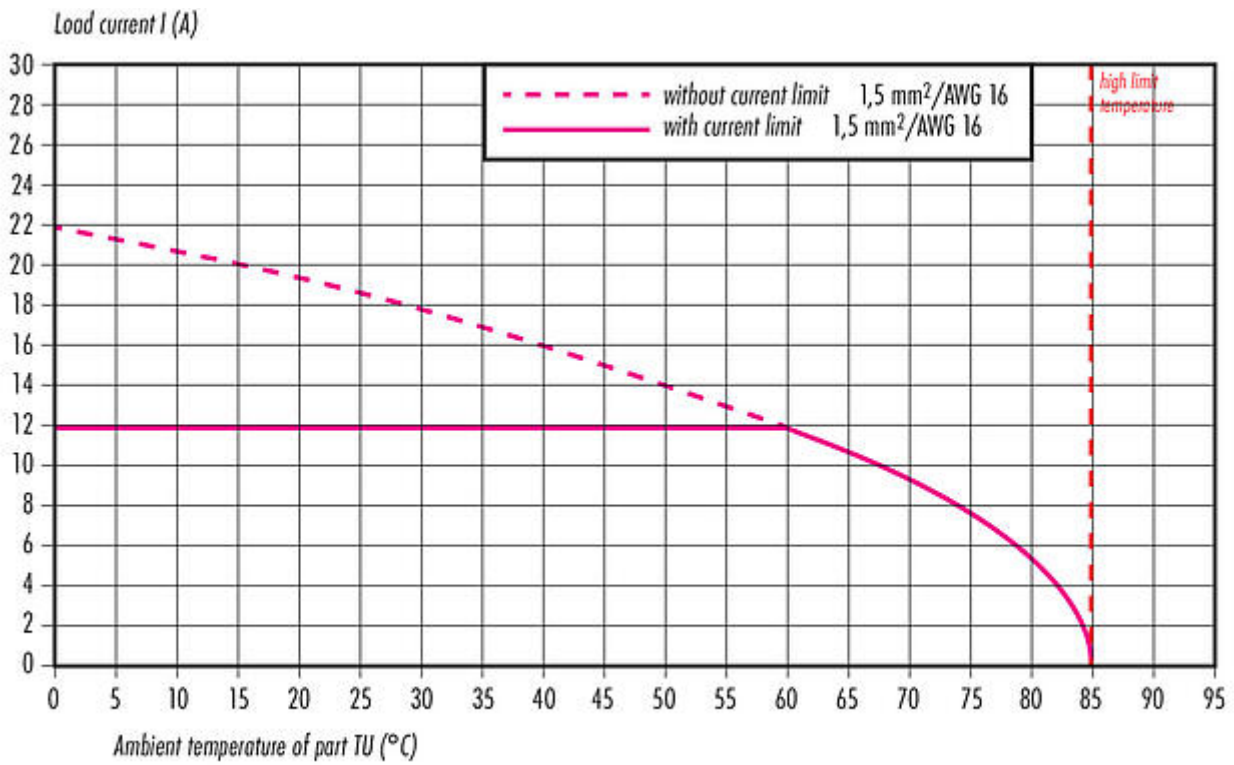
use nut 38 5385 100 001 up to 1,5 mm,
>1,5 mm cut thread

³⁾ Nut

⁴⁾ Thread in wall of housing

Product description	M12-T Male panel mount connector, Contacts: 4, unshielded, single wires, IP68, UL, VDE, M16x1.5, front fastened
Area	M12-T series 813
Part no.	09 0631 120 04

Derating curve



Product description	M12-T Male panel mount connector, Contacts: 4, unshielded, single wires, IP68, UL, VDE, M16x1.5, front fastened
Area	M12-T series 813
Part no.	09 0631 120 04

General Disclaim Notice

The connectors have been developed for applications in plant engineering, control and electrical equipment construction. The user is responsible for checking whether the connectors can also be used in other areas of application.

Plug connectors with enclosure protection IP67 and IP68 are not suitable for use under water. When used outdoors, the plug connectors must be protected separately against corrosion. For further information on the IP protection classes, please refer to the "Technical Information" download centre.