

Product data sheet

Miniature connectors

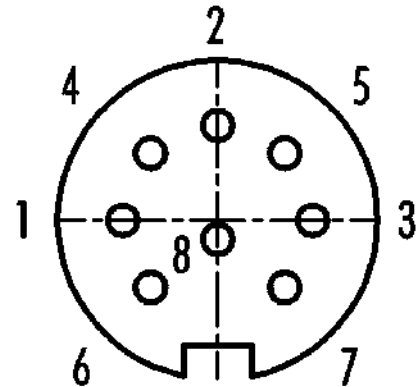
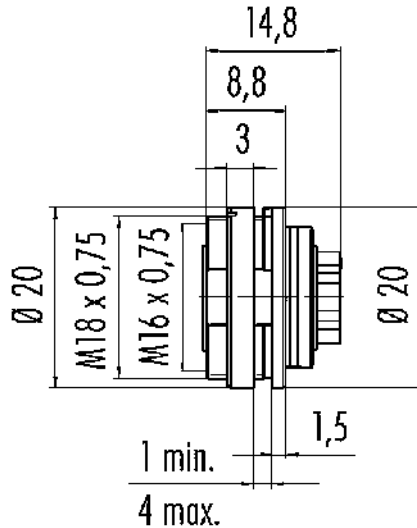


Product description	M16 IP40 Female panel mount connector, Contacts: 8 (08-a), unshielded, crimping (Crimp contacts must be ordered separately), IP40, front fastened
Area Part no.	M16 IP40 series 680 09 0474 780 08

Illustration

Scale drawing

Contact arrangement (Plug-in side)



You can find the component part drawing and assembly instructions on the next page.

Technical data

General features

Part no.	09 0474 780 08
Connector design	Female panel mount connector
Version	Connector socket straight
Connector locking system	screw
Termination	crimping (Crimp contacts must be ordered separately)
Degree of protection	IP40
Cross-sectional area	see crimp contacts under accessories
Temperature range from/to	-40 °C / 85 °C
Mechanical operation	> 500 Mating cycles
Weight (g)	8.00
Customs tariff number	85369010

Electrical parameters

Rated voltage	60 V
Rated impulse voltage	500 V
Rated current (40 °C)	5.0 A
Insulation resistance	$\geq 10^{10} \Omega$
Pollution degree	1
Overvoltage category	I
Insulating material group	III
EMC compliance	unshielded

Product data sheet

Miniature connectors



Product description	M16 IP40 Female panel mount connector, Contacts: 8 (08-a), unshielded, crimping (Crimp contacts must be ordered separately), IP40, front fastened
Area Part no.	M16 IP40 series 680 09 0474 780 08

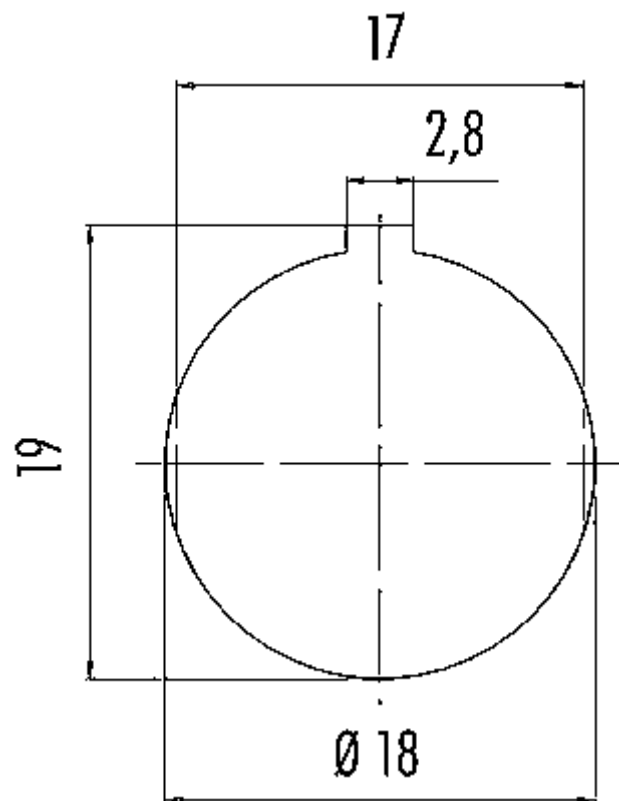
Material

Contact body material	PBT (UL94 V-0)
Contact material	depending on crimp contact (accessory)
REACH SVHC	CAS 7439-92-1 (Lead)
SCIP number	SCIP-number not available

Classifications

eCl@ss 11.1	27-44-01-09
ETIM 7.0	EC003569

Assembly instructions / Panel cut-out

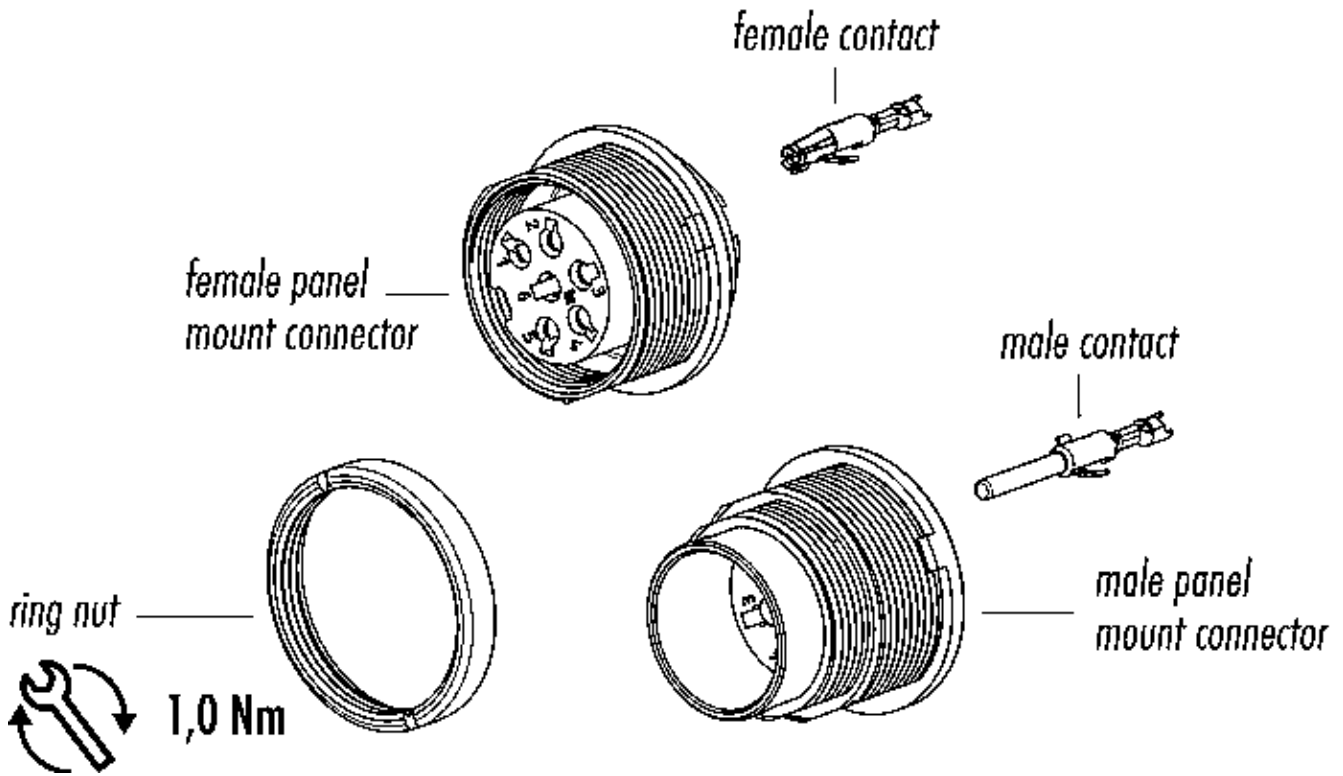


Product data sheet
Miniature connectors

Product description **M16 IP40 Female panel mount connector, Contacts: 8 (08-a), unshielded, crimping (Crimp contacts must be ordered separately), IP40, front fastened**

Area **M16 IP40 series 680**
Part no. **09 0474 780 08**

Component part drawing



Product data sheet

Miniature connectors



Product description	M16 IP40 Female panel mount connector, Contacts: 8 (08-a), unshielded, crimping (Crimp contacts must be ordered separately), IP40, front fastened
Area Part no.	M16 IP40 series 680 09 0474 780 08

Security notices

The connectors have been developed for applications in plant engineering, control and electrical equipment construction. The user is responsible for checking whether the connectors can also be used in other areas of application.