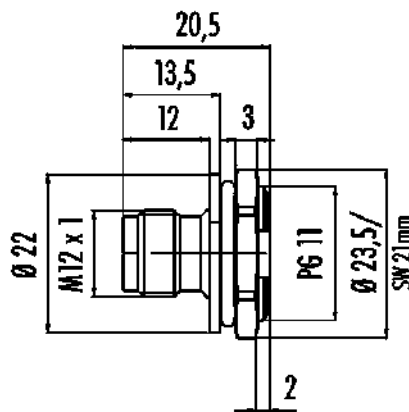


Product description	M12-A Male panel mount connector, Contacts: 4, unshielded, solder, IP67, PG 11
Area	M12-A series 763
Part no.	09 0435 87 04

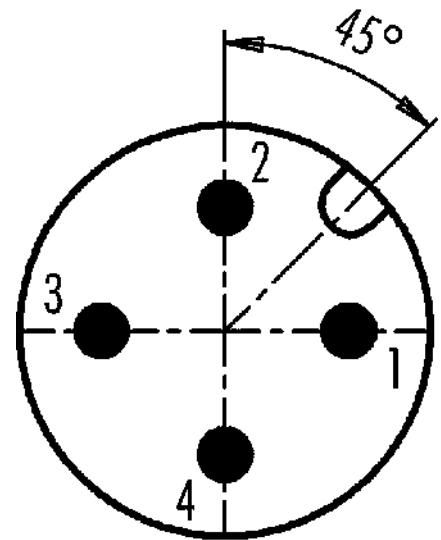
Illustration



Scale drawing



Contact arrangement (Plug-in side)



You can find the assembly instructions on the next page.

Technical data

General features

Part no.	09 0435 87 04
Connector design	Male panel mount connector
Version	Connector pin straight
Connector locking system	screw
Termination	solder
Degree of protection	IP67
Cross-sectional area	0.25 mm ² / AWG 24
Temperature range from/to	-40 °C / 85 °C
Mechanical operation	> 50 Mating cycles
Weight (g)	6.71
Customs tariff number	85369010

Electrical parameters

Rated voltage	250 V
Rated impulse voltage	2500 V
Rated current (40 °C)	4.0 A
Insulation resistance	> 10 ⁸ Ω
Pollution degree	3
Overvoltage category	II

Product data sheet

Automation technology - sensors and actuators



Product description **M12-A Male panel mount connector, Contacts: 4, unshielded, solder, IP67, PG 11**

Area **M12-A series 763**

Part no. **09 0435 87 04**

Insulating material group III

EMC compliance unshielded

Material

Housing material PA

Contact body material PA

Contact material CuZn (brass)

Contact plating Au (gold)

REACH SVHC CAS 7439-92-1 (Lead)

SCIP number SCIP-number not available

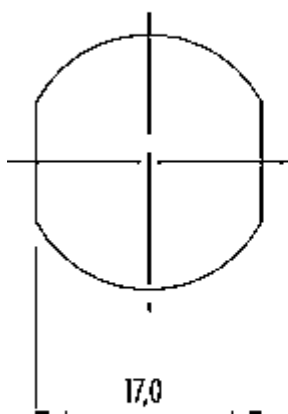
Classifications

eCl@ss 11.1 27-44-01-09

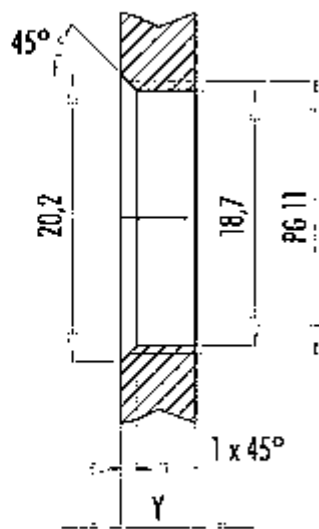
ETIM 7.0 EC003569

Assembly instructions / Panel cut-out

With flats as anti-rotation device



With bore hole



Installation direction:
o-ring sits on chamfer.

Tightening moment

Metall housing 2,00 Nm

Plastic housing 1,25 Nm

Thickness of wall Y (mm)		
Version	min (mm)	max (mm)
Fastened from rear	2	3,5
Front fastened	2	4,5
positioning possible ¹⁾	2	3,5
Screw clamp	2	3,5
Thread M12 x 1	2	3,0
Thread M14 x 1 ²⁾	³⁾ 1,5/ ⁴⁾ 2	6,5

Notes

- ¹⁾ Do not attach a chamfer
- ²⁾ Wall thickness:
use nut 38 5385 100 001 up to 1,5 mm,
>1,5 mm cut thread
- ³⁾ Nut
- ⁴⁾ Thread in wall of housing

Product description	M12-A Male panel mount connector, Contacts: 4, unshielded, solder, IP67, PG 11
Area	M12-A series 763
Part no.	09 0435 87 04

General Disclaim Notice

The connector must not be plugged or unplugged under load. Non-observance and improper use can result in personal injury.

The connectors have been developed for applications in plant engineering, control and electrical equipment construction. The user is responsible for checking whether the connectors can also be used in other areas of application.

The user must take suitable safety precautions to ensure that the connector cannot be accidentally disconnected.

Plug connectors with enclosure protection IP67 and IP68 are not suitable for use under water. For further information on the IP protection classes, please refer to the "Technical Information" download centre.