

Product Male socket, dip solder, front fastened with shielding sheet 6 mm  
Area M9 connectors IP 67 serie 712/702

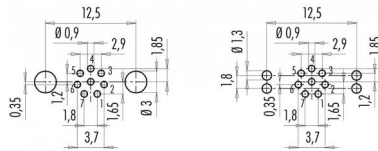
Pole 8  
Article number 09 0427 30 08

illustration

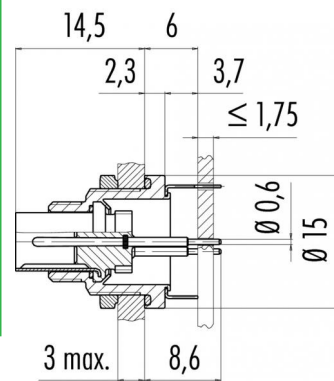


You can find the assembly instruction on the next page.

Conductor layout



scale drawing



Technical data

Common values

|                          |             |
|--------------------------|-------------|
| Connector Design         | Male socket |
| Connector locking system | Screw       |
| Termination              | dip solder  |
| Wire gauge (mm)          | -           |
| Wire gauge (AWG)         | -           |
| Cable outlet             | -           |
| Upper temperature        | +85 °C      |
| Lower temperature        | -40 °C      |

Electrical values

|                       |                         |
|-----------------------|-------------------------|
| Rated voltage         | 125 V                   |
| Rated impulse voltage | 1500 V                  |
| Pollution degree      | I                       |
| Overvoltage category  | II                      |
| Material group        | III                     |
| Rated current (40°C)  | 1 A                     |
| Volume resistivity    | $\le 3 \text{ m}\Omega$ |
| EMV compliance        | shieldable              |
| Degree of protection  | IP 67                   |
| Mechanical operation  | >500 mating cycles      |

Material

|                          |                            |
|--------------------------|----------------------------|
| Material of contact      | CuZn (brass)               |
| Contact plating          | Au (gold)                  |
| Material of contact body | PA (UL 94 V-0)             |
| Material of housing      | CUZn (brass nickel plated) |

Cable data

|                        |   |
|------------------------|---|
| material housing       | - |
| insulation single lead | - |
| single lead structure  | - |
| conductor resistance   | - |

Contacts 8, Male socket, dip solder, front fastened with shielding sheet 6 mm



Product Male socket, dip solder, front fastened with shielding sheet 6 mm  
Area M9 connectors IP 67 serie 712/702

Pole 8  
Article number 09 0427 30 08

Date: 2014-07-20 - Page 2 of 2

Installation instructions / Mounting cutout

