

# Product data sheet

## Subminiature connectors



Product description **M9 IP67 Male panel mount connector, Contacts: 7, shieldable, THT, IP67, front fastened**

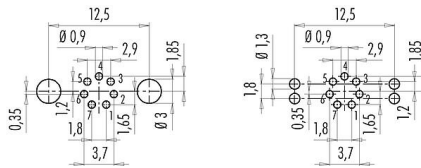
Area **M9 IP67 series 712**

Part no. **09 0423 30 07**

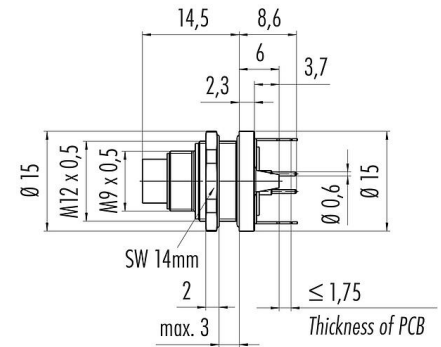
### Illustration



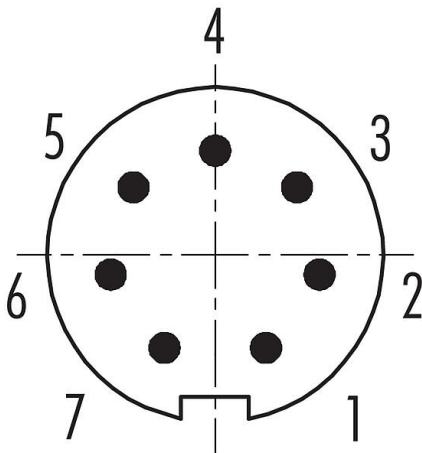
### Conductor layout



### Scale drawing



### Contact arrangement (Plug-in side)



You can find the component part drawing and assembly instructions on the next page.

### Technical data

#### General features

Part no.	<b>09 0423 30 07</b>
Connector design	Male panel mount connector
Version	Connector pin straight
Connector locking system	screw
Termination	THT
Degree of protection	IP67
Temperature range from/to	-40 °C / 85 °C
Mechanical operation	> 500 Mating cycles

# Product data sheet

## Subminiature connectors



Product description	<b>M9 IP67 Male panel mount connector, Contacts: 7, shieldable, THT, IP67, front fastened</b>
Area	<b>M9 IP67 series 712</b>
Part no.	<b>09 0423 30 07</b>

Weight (g)	7.33
Customs tariff number	85369010

### Electrical parameters

Rated voltage	125 V
Rated impulse voltage	1500 V
Rated current (40 °C)	1.0 A
Insulation resistance	$\geq 10^{10} \Omega$
Pollution degree	1
Overvoltage category	II
Insulating material group	III
EMC compliance	shieldable
Shield connection	Shielding plate

### Material

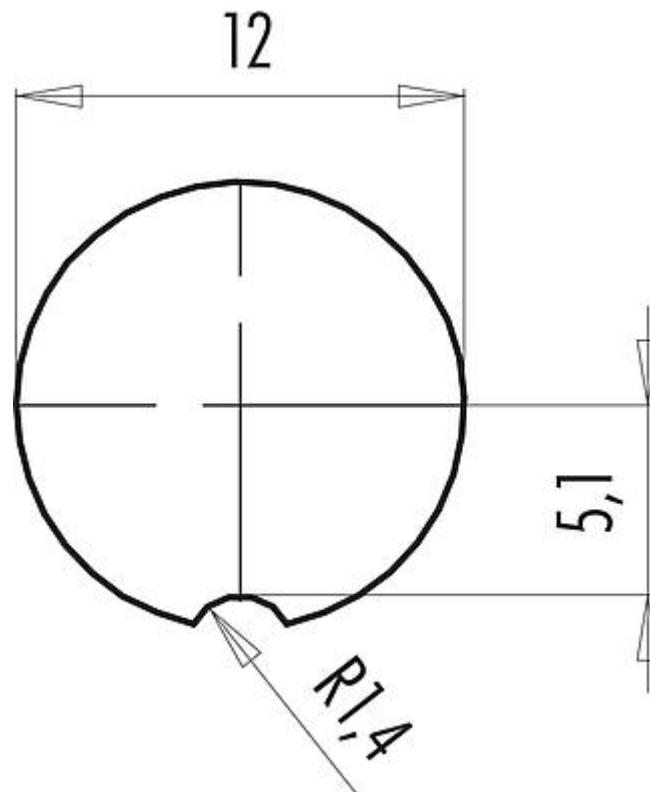
Contact body material	PA (UL94 V-0)
Contact material	CuZn (brass)
Contact plating	Au (gold)
REACH SVHC	CAS 7439-92-1 (Lead)
SCIP number	SCIP-number not available

### Classifications

eCl@ss 11.1	27-44-01-09
ETIM 7.0	EC003569

Product description	<b>M9 IP67 Male panel mount connector, Contacts: 7, shieldable, THT, IP67, front fastened</b>
Area	<b>M9 IP67 series 712</b>
Part no.	<b>09 0423 30 07</b>

**Assembly instructions / Panel cut-out**

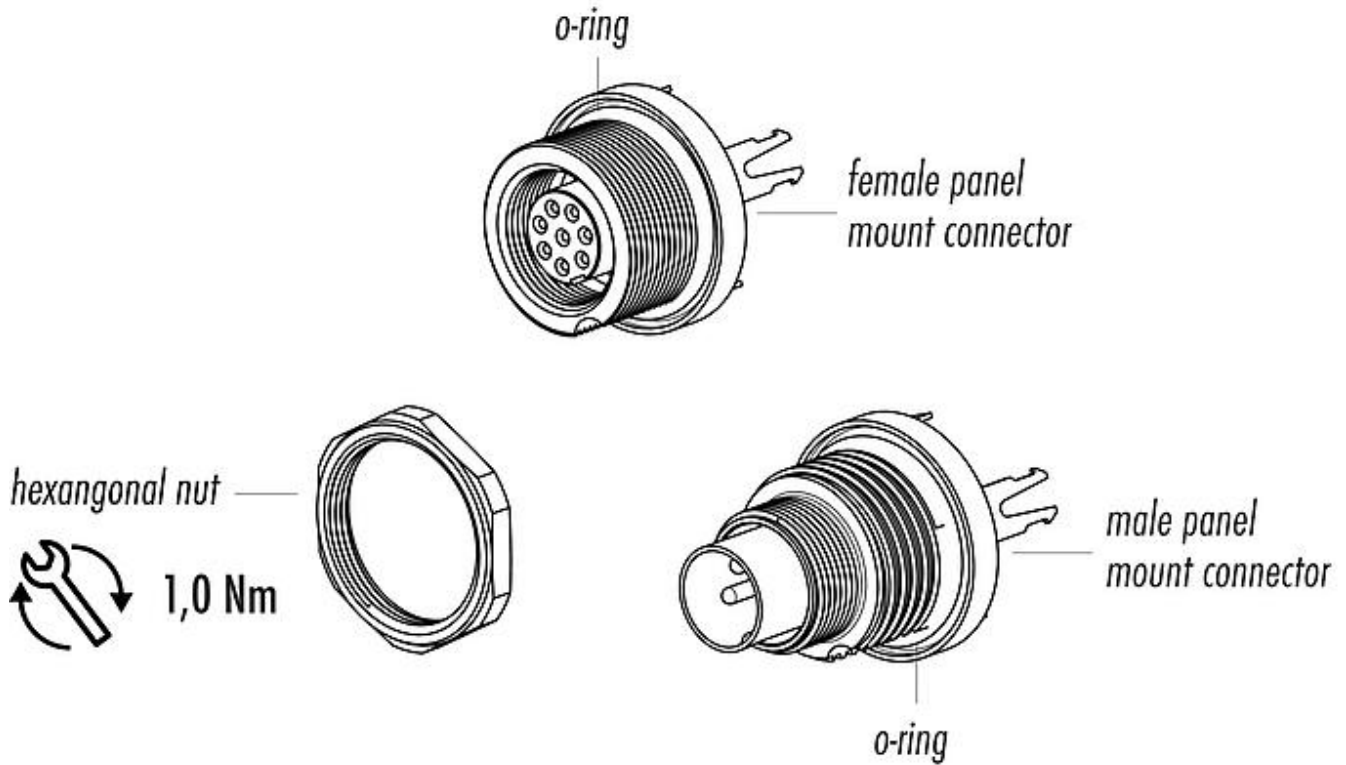


**Product data sheet**  
Subminiature connectors

Product description **M9 IP67 Male panel mount connector, Contacts: 7, shieldable, THT, IP67, front fastened**

Area **M9 IP67 series 712**  
Part no. **09 0423 30 07**

**Component part drawing**



Product description	<b>M9 IP67 Male panel mount connector, Contacts: 7, shieldable, THT, IP67, front fastened</b>
Area	<b>M9 IP67 series 712</b>
Part no.	<b>09 0423 30 07</b>

### **General Disclaim Notice**

The connector must not be plugged or unplugged under load. Non-observance and improper use can result in personal injury.

The connectors have been developed for applications in plant engineering, control and electrical equipment construction. The user is responsible for checking whether the connectors can also be used in other areas of application.

Plug connectors with enclosure protection IP67 and IP68 are not suitable for use under water. When used outdoors, the plug connectors must be protected separately against corrosion. For further information on the IP protection classes, please refer to the "Technical Information" download centre.