

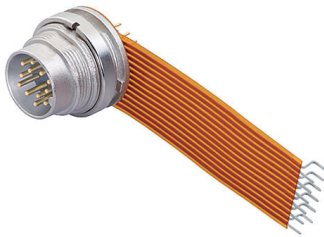
# Product data sheet

## Miniature connectors

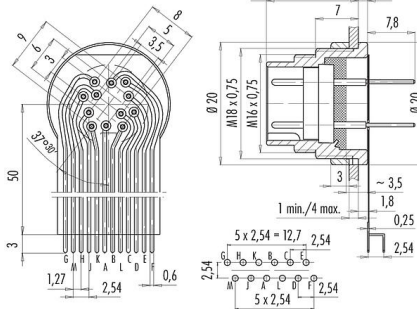


Product description	<b>M16 IP40 Male panel mount connector, Contacts: 12 (12-a), unshielded, THT, IP40, front fastened</b>
Area	<b>M16 IP40 series 680</b>
Part no.	<b>09 0331 66 12</b>

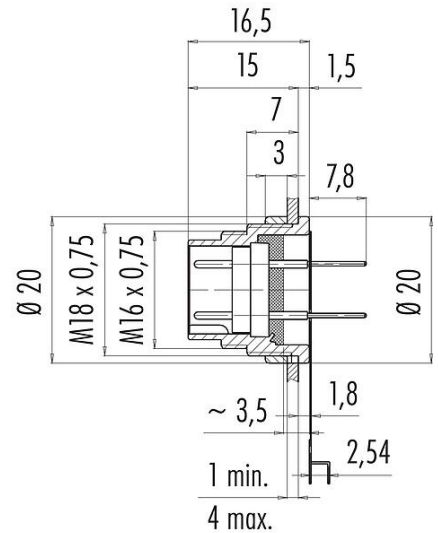
### Illustration



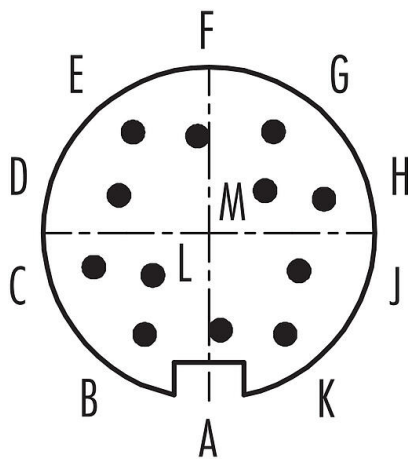
### Flexplatte



### Scale drawing



### Contact arrangement (Plug-in side)



You can find the assembly instructions on the next page.

### Technical data

#### General features

Part no.

**09 0331 66 12**

# Product data sheet

## Miniature connectors



Product description	<b>M16 IP40 Male panel mount connector, Contacts: 12 (12-a), unshielded, THT, IP40, front fastened</b>
Area	<b>M16 IP40 series 680</b>
Part no.	<b>09 0331 66 12</b>

Connector design	Male panel mount connector
Version	Connector pin straight
Connector locking system	screw
Termination	THT
Degree of protection	IP40
Temperature range from/to	-40 °C / 85 °C
Mechanical operation	> 500 Mating cycles
Weight (g)	14.21
Customs tariff number	85369010

### Electrical parameters

Rated voltage	60 V
Rated impulse voltage	500 V
Rated current (40 °C)	2.0 A
Insulation resistance	$\geq 10^{10} \Omega$
Pollution degree	1
Overvoltage category	I
Insulating material group	III
EMC compliance	unshielded

### Material

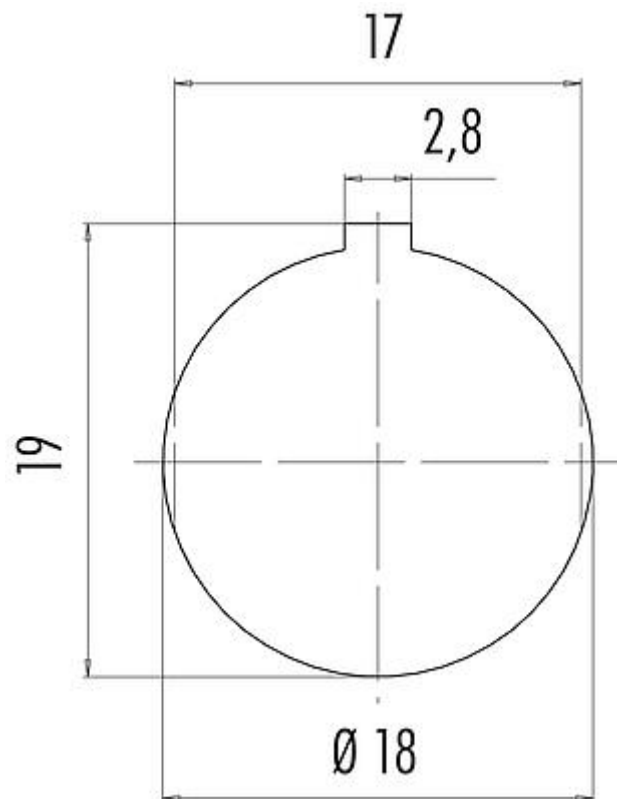
Housing material	Zinc die-cast nickel-plated
Contact body material	PBT (UL94 V-0)
Contact material	CuZn (brass)
Contact plating	Au (gold)
REACH SVHC	CAS 7439-92-1 (Lead)
SCIP number	4b4cf945-8d2d-4308-ad58-5644b946eab0

### Classifications

eCl@ss 11.1	27-44-01-09
ETIM 7.0	EC003569

Product description	<b>M16 IP40 Male panel mount connector, Contacts: 12 (12-a), unshielded, THT, IP40, front fastened</b>
Area	<b>M16 IP40 series 680</b>
Part no.	<b>09 0331 66 12</b>

**Assembly instructions / Panel cut-out**



# Product data sheet

## Miniature connectors



Product description	<b>M16 IP40 Male panel mount connector, Contacts: 12 (12-a), unshielded, THT, IP40, front fastened</b>
Area	<b>M16 IP40 series 680</b>
Part no.	<b>09 0331 66 12</b>

### General Disclaim Notice

The connectors have been developed for applications in plant engineering, control and electrical equipment construction. The user is responsible for checking whether the connectors can also be used in other areas of application.