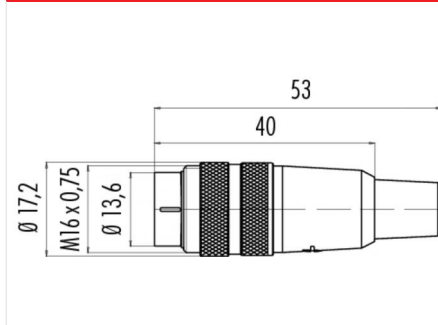


Product description **M16 IP40 cable connector, Contacts: 12, 6.0 - 8.0 mm, shielding is not possible, solder, IP40**  
 Area **M16 IP40 series 680**  
 Order number **09 0329 02 12**

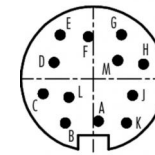
### Illustration



### Scale drawing



### Contact arrangement



	X	Y
A	0,44	-3,45
B	-2,29	-3,61
C	-4,10	-1,21
D	-3,20	1,34
E	-2,71	3,59
F	-0,41	3,45
G	2,29	3,61
H	4,10	1,21
J	3,20	-1,34
K	2,71	-3,59
L	-2,00	-1,51
M	2,00	1,51

## Technical data

### General values

Connector design cable connector  
 Connector locking system screw  
 Termination solder  
 Wire gauge (mm) 0.25 mm<sup>2</sup>  
 Wire gauge (AWG) 24  
 Cable outlet 6.0 - 8.0 mm  
 Upper limit temperature 85 °C  
 Lower limit temperature - 40 °C  
 Customs tariff number 85369010  
 Packaging Unit 100

### Electrical values

Rated current (40 °C) 3 A  
 Rated voltage 60 V  
 Rated impulse voltage 500 V  
 Pollution degree 1  
 Overvoltage category I  
 Insulating material group III  
 Insulation resistance  $\geq 10^{10} \Omega$   
 EMC compliance shielding is not possible  
 Degree of protection IP40  
 Mechanical operation > 500 Mating cycles

### Material

Contact material CuZn (brass)  
 Contact plating Au (gold)  
 Contact body material PBT (UL94 V-0)  
 Housing material PA

Product description	<b>M16 IP40 cable connector, Contacts: 12, 6.0 - 8.0 mm, shielding is not possible, solder, IP40</b>
Area	<b>M16 IP40 series 680</b>
Order number	<b>09 0329 02 12</b>

## Security notices

The connectors are designed for use in plant, control system and electrical equipment. The end user is responsible for checking whether the connectors are suitable for use in other applications.

To lock the cable connector to the equipment connector, the threaded ring is tightened until it is 'finger-tight' (approx. 50 cNm).