

Product data sheet

Miniature connectors

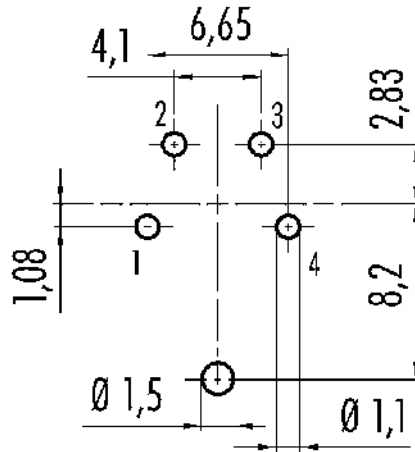


Product description Female panel mount connector, Contacts: 4 (04-a), shieldable, THT, IP40, front fastened
 Area series 680
 Part no. 09 0312 290 04

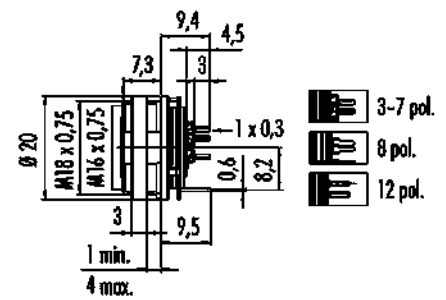
Illustration



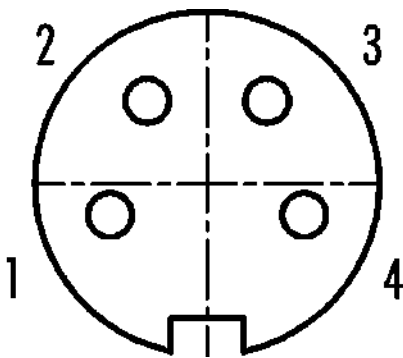
Conductor layout



Scale drawing



Contact arrangement (Plug-in side)



You can find the component part drawing and assembly instructions on the next page.

Technical data

General features

Part no.	09 0312 290 04
Connector design	Female panel mount connector
Version	Connector socket straight
Connector locking system	screw
Termination	THT
Degree of protection	IP40
Temperature range from/to	-40 °C / 85 °C
Mechanical operation	> 1000 Mating cycles

Product data sheet

Miniature connectors



Product description	Female panel mount connector, Contacts: 4 (04-a), shieldable, THT, IP40, front fastened
-	-
Area	series 680
Part no.	09 0312 290 04

Weight (g)	9.37
Customs tariff number	85369010

Electrical parameters

Rated voltage	250 V
Rated impulse voltage	1500 V
Rated current (40 °C)	6.0 A
Insulation resistance	$\geq 10^{10} \Omega$
Pollution degree	1
Overvoltage category	I
Insulating material group	III
EMC compliance	shieldable
Shield connection	Shield pin

Material

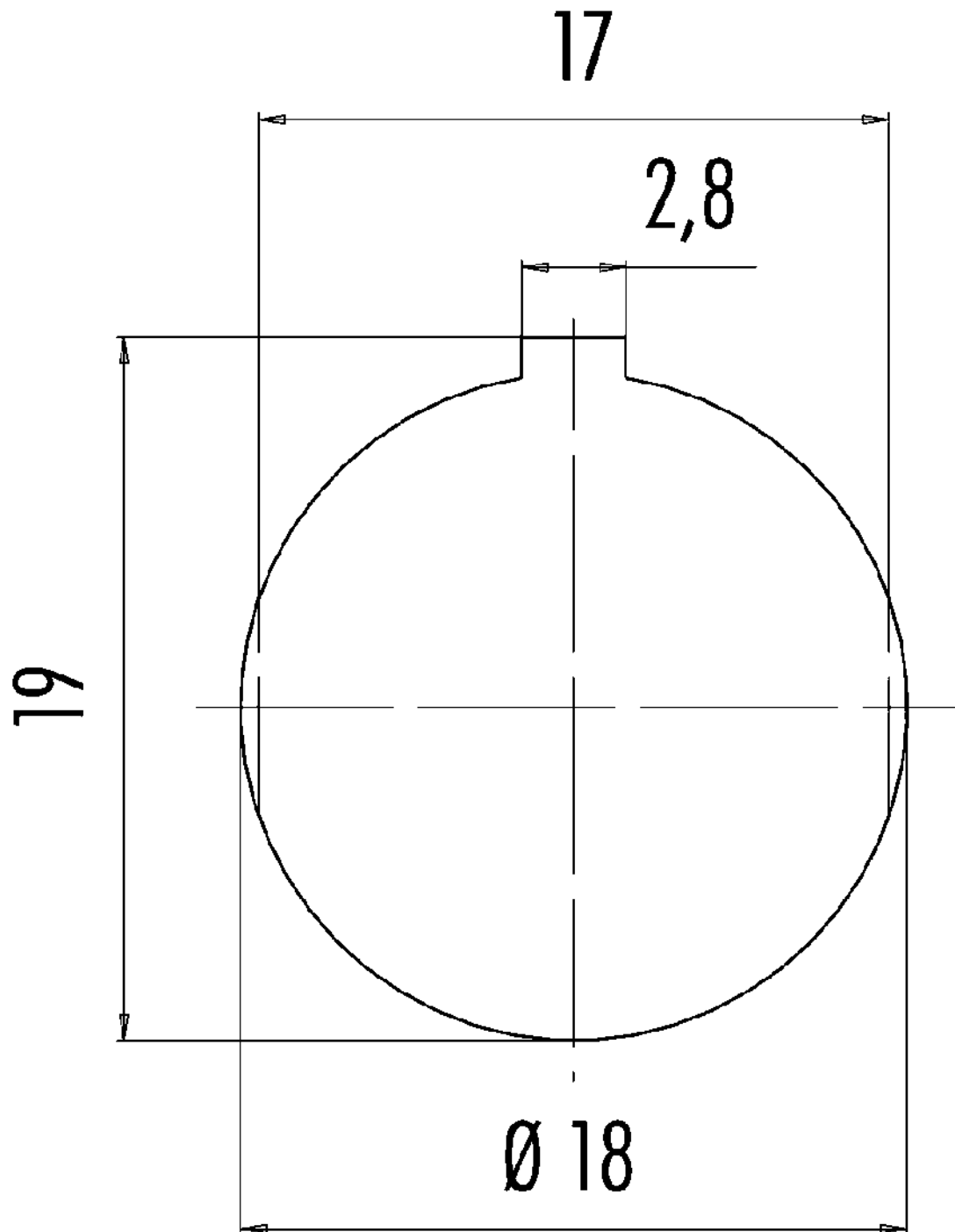
Housing material	Zinc die-cast nickel-plated
Contact body material	PBT (UL94 V-0)
Contact material	CuSn (bronze)
Contact plating	Ag (silver)
REACH SVHC	CAS 7439-92-1 (Lead)
SCIP number	fed48d5d-ed7b-4d8c-b940-d7069c9fbd6b

Classifications

eCl@ss 11.1	27-44-01-09
ETIM 9.0	EC003569

Product description	Female panel mount connector, Contacts: 4 (04-a), shieldable, THT, IP40, front fastened
Area	series 680
Part no.	09 0312 290 04

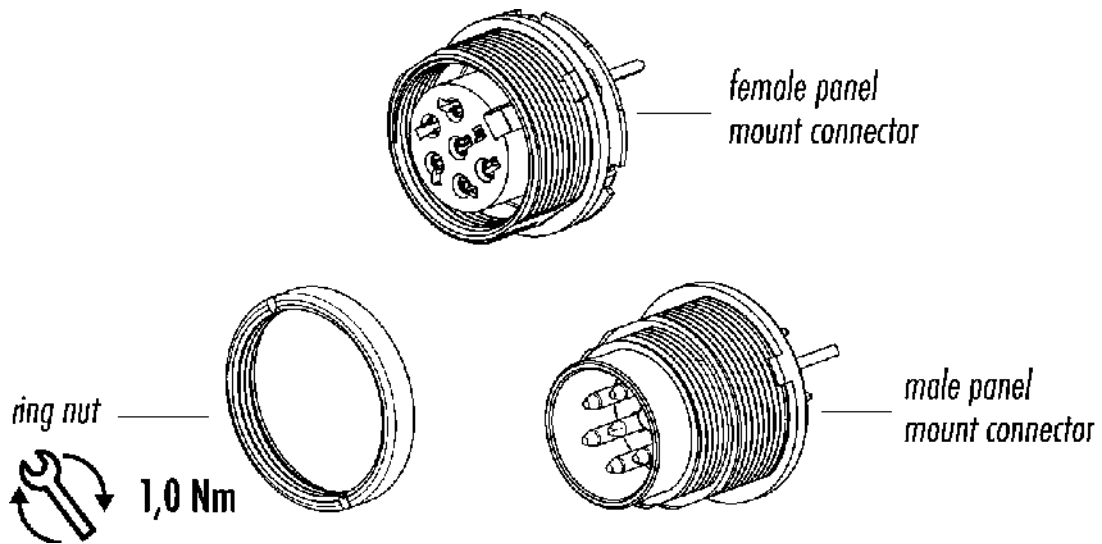
Assembly instructions / Panel cut-out



Product data sheet
Miniature connectors

Product description	Female panel mount connector, Contacts: 4 (04-a), shieldable, THT, IP40, front fastened
Area	series 680
Part no.	09 0312 290 04

Component part drawing



Product data sheet

Miniature connectors



Product description	Female panel mount connector, Contacts: 4 (04-a), shieldable, THT, IP40, front fastened
-	-
Area	series 680
Part no.	09 0312 290 04

Security notices

The connector must not be plugged or unplugged under load. Non-observance and improper use can result in personal injury.

The connectors have been developed for applications in plant engineering, control and electrical equipment construction. The user is responsible for checking whether the connectors can also be used in other areas of application.

The plug connector is not suitable for mains voltages Please observe the pollution degree and the overvoltage category. For further information, please refer to the download center "Technical Information".