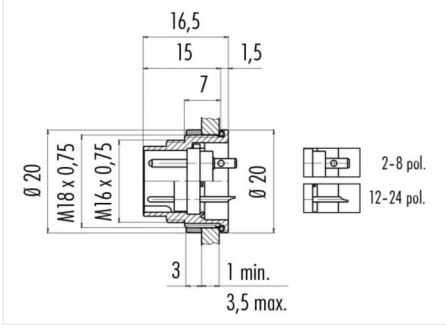


Product description	M16 IP67 male panel mount connector, Contacts: 8 DIN, shielding is not possible, solder, IP68, UL, AISG compliant
Area	M16 IP67 series 723
Order number	09 0173 80 08

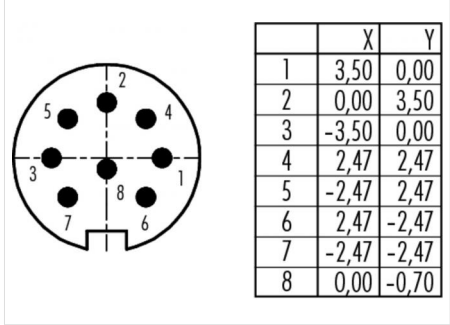
Illustration



Scale drawing



Contact arrangement



You can find the assembly instructions on the next page.

Technical data

General values

Connector design	male panel mount connector
Connector locking system	screw
Termination	solder
Wire gauge (mm)	0.75 mm ²
Wire gauge (AWG)	18
Upper limit temperature	95 °C
Lower limit temperature	- 40 °C
Customs tariff number	85369010
Packaging Unit	20

Cable data

Approval 1	UL
Approval 2	AISG compliant

Electrical values

Rated current (40 °C)	5 A
Rated voltage	60 V
Rated impulse voltage	500 V
Pollution degree	1
Overvoltage category	I
Insulating material group	III
Insulation resistance	≥ 10 ¹⁰ Ω
EMC compliance	shielding is not possible
Degree of protection	IP68
	IP67
Degree of protection 2	IP67
Mechanical operation	> 500 Mating cycles

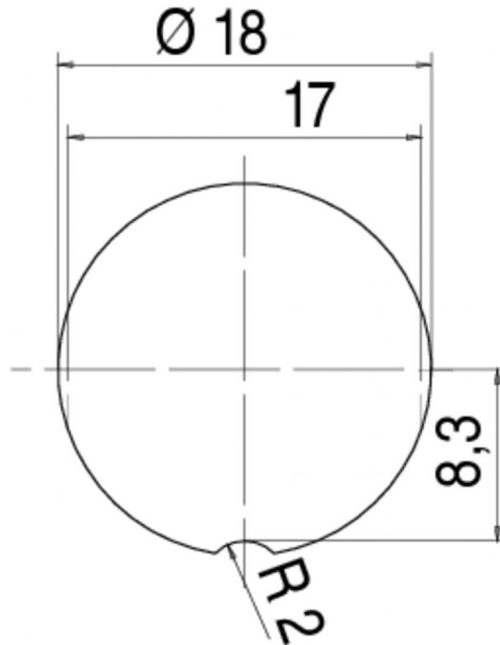
Material

Contact material	CuZn (brass)
Contact plating	Ag (silver)
Contact body material	PBT (UL94 V-0)
Housing material	Zinc die-cast nickel-plated

Product description **M16 IP67 male panel mount connector, Contacts: 8 DIN, shielding is not possible, solder, IP68, UL, AISG compliant**

Area **M16 IP67 series 723**
Order number **09 0173 80 08**

Assembly instructions / Panel cut-out



Product description	M16 IP67 male panel mount connector, Contacts: 8 DIN, shielding is not possible, solder, IP68, UL, AISG compliant
Area	M16 IP67 series 723
Order number	09 0173 80 08

Security notices

The connectors are designed for use in plant, control system and electrical equipment. The end user is responsible for checking whether the connectors are suitable for use in other applications. Connectors with degree of protection IP 67 and IP 68 are not suitable for use under water. When used outdoors, the connectors must be separately protected against corrosion. For further information about IP degrees of protection refer to 'Technical support' in the Download Centre.