

Product data sheet

Miniature connectors

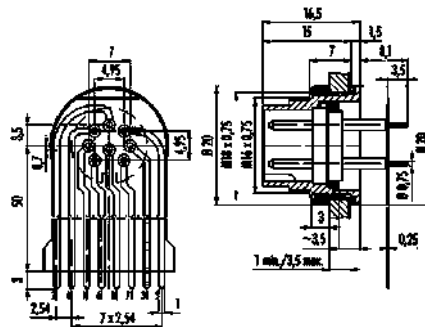


Product description Male panel mount connector, Contacts: 8 (08-a), unshielded, THT, IP68, front fastened
 Area series 723
 Part no. 09 0173 65 08

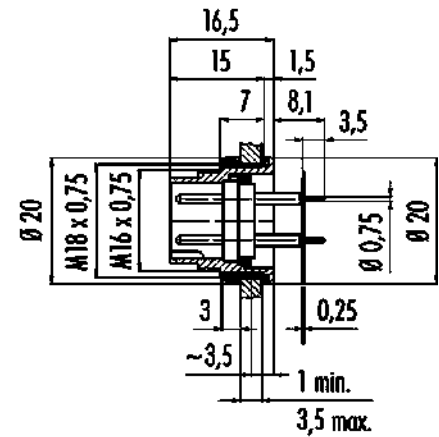
Illustration



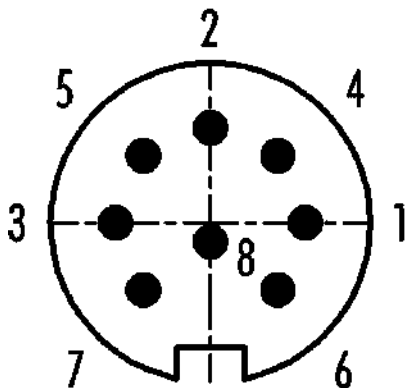
Flexplatte



Scale drawing



Contact arrangement (Plug-in side)



You can find the assembly instructions on the next page.

Technical data

General features

Part no.	09 0173 65 08
Connector design	Male panel mount connector
Version	Connector pin straight
Connector locking system	screw
Termination	THT
Degree of protection	IP68 IP67

Product data sheet

Miniature connectors



Product description	Male panel mount connector, Contacts: 8 (08-a), unshielded, THT, IP68, front fastened
-	-
Area	series 723
Part no.	09 0173 65 08

Temperature range from/to	-40 °C / 95 °C
Mechanical operation	> 500 Mating cycles
Weight (g)	16.03
Customs tariff number	85369010

Electrical parameters

Rated voltage	60 V
Rated impulse voltage	500 V
Rated current (40 °C)	5.0 A
Insulation resistance	$\geq 10^{10} \Omega$
Pollution degree	1
Overvoltage category	I
Insulating material group	III
EMC compliance	unshielded

Material

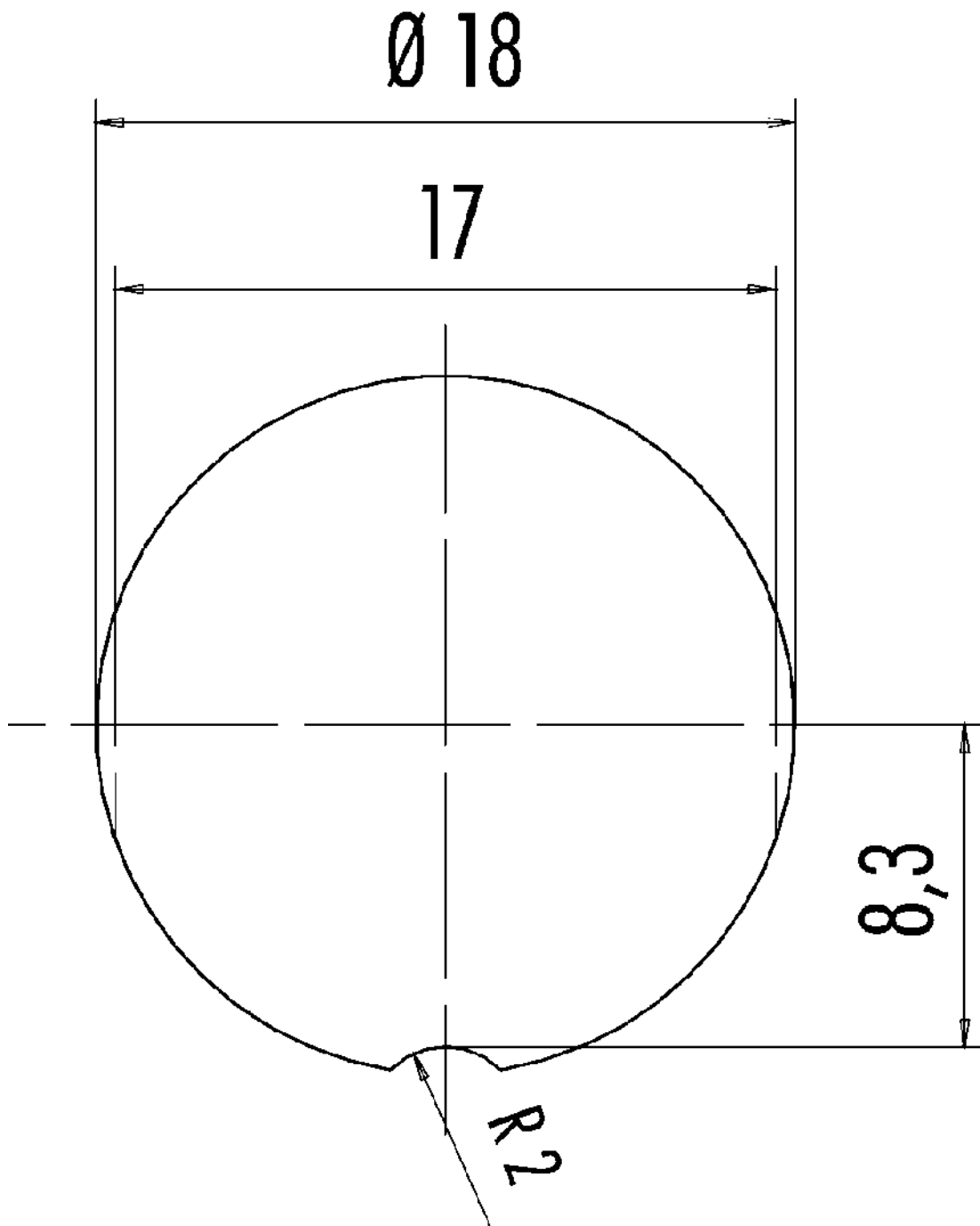
Housing material	Zinc die-cast nickel-plated
Contact body material	PBT (UL94 V-0)
Contact material	CuZn (brass)
Contact plating	Ag (silver)
REACH SVHC	CAS 7439-92-1 (Lead)
SCIP number	59402e86-8e38-4a99-a65c-d588a93b0f82

Classifications

eCl@ss 11.1	27-44-01-09
ETIM 9.0	EC003569

Product description	Male panel mount connector, Contacts: 8 (08-a), unshielded, THT, IP68, front fastened
Area	series 723
Part no.	09 0173 65 08

Assembly instructions / Panel cut-out



Product data sheet

Miniature connectors



Product description	Male panel mount connector, Contacts: 8 (08-a), unshielded, THT, IP68, front fastened
-	-
Area	series 723
Part no.	09 0173 65 08

Security notices

The connectors have been developed for applications in plant engineering, control and electrical equipment construction. The user is responsible for checking whether the connectors can also be used in other areas of application.

Plug connectors with enclosure protection IP67 and IP68 are not suitable for use under water. When used outdoors, the plug connectors must be protected separately against corrosion. For further information on the IP protection classes, please refer to the "Technical Information" download centre.