

Product data sheet

Miniature connectors



Product description **M16 IP40 Female angled connector, Contacts: 8 (08-a), 4.0-6.0 mm, unshielded, solder, IP40**

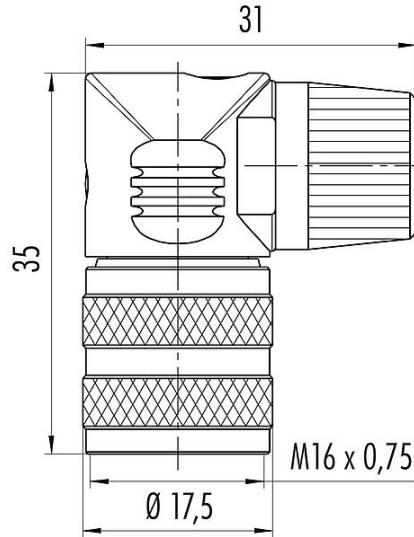
Area **M16 IP40 series 682**

Part no. **09 0154 70 08**

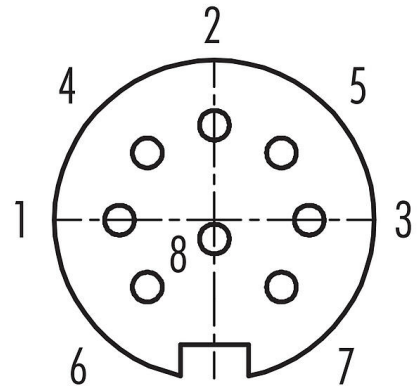
Illustration



Scale drawing



Contact arrangement (Plug-in side)



You can find the assembly instructions on the next page.

Technical data

General features

Part no.	09 0154 70 08
Connector design	Female angled connector
Version	Connector socket angled
Connector locking system	screw
Termination	solder
Degree of protection	IP40
Cross-sectional area	0.75 mm ² / AWG 18
Cable outlet	4.0-6.0 mm
Twistability	not rotatable
Temperature range from/to	-40 °C / 85 °C
Mechanical operation	> 500 Mating cycles
Weight (g)	16.63
Customs tariff number	85369010

Electrical parameters

Rated voltage	60 V
Rated impulse voltage	500 V
Rated current (40 °C)	5.0 A
Insulation resistance	≥ 10 ¹⁰ Ω
Pollution degree	1
Overvoltage category	I

Product data sheet

Miniature connectors

Product description	M16 IP40 Female angled connector, Contacts: 8 (08-a), 4.0-6.0 mm, unshielded, solder, IP40
Area	M16 IP40 series 682
Part no.	09 0154 70 08

Insulating material group	III
EMC compliance	unshielded

Material

Housing material	PA
Contact body material	PBT (UL94 V-0)
Contact material	CuSn (bronze)
Contact plating	Ag (silver)
REACH SVHC	CAS 7439-92-1 (Lead)
SCIP number	SCIP-number not available

Classifications

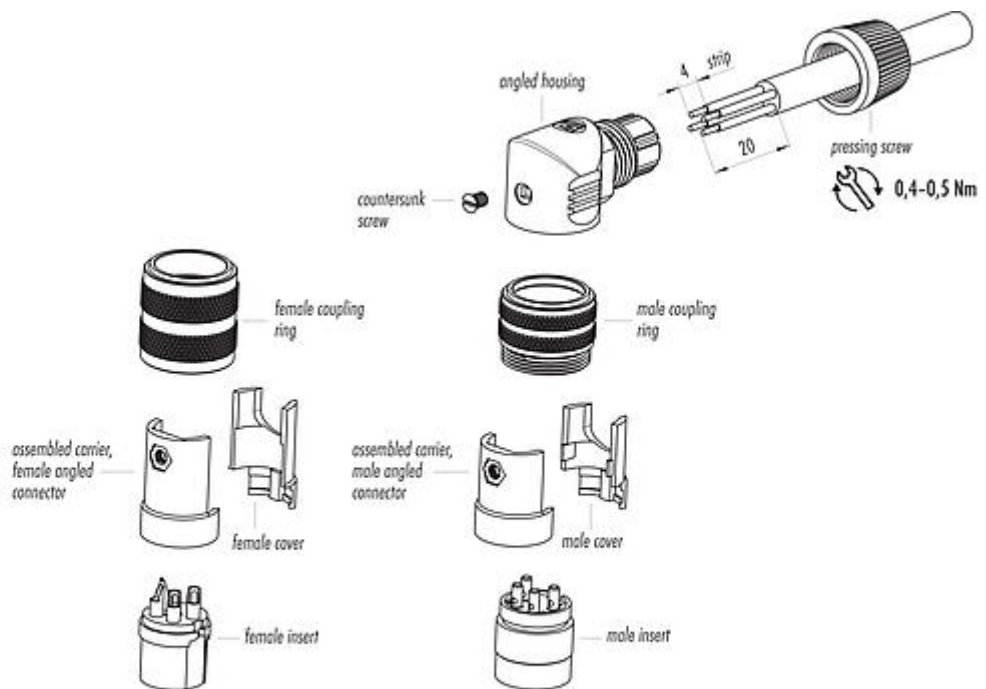
eCl@ss 11.1	27-44-01-09
ETIM 7.0	EC003569

Declarations of conformity

Low Voltage Directive	2014/35/EU (EN 60204-1:2018;EN 60529:1991)
-----------------------	--

Assembly instructions

1. Bead angled housing and pressing screw to cable.
2. Dismantle cable to 20 mm length.
3. Strip and solder single wires.
4. Mount contact insert in carrier and cover and bead coupling ring to cable.
5. Fix angled housing with countersunk screw.



Product data sheet

Miniature connectors



Product description	M16 IP40 Female angled connector, Contacts: 8 (08-a), 4.0-6.0 mm, unshielded, solder, IP40
Area	M16 IP40 series 682
Part no.	09 0154 70 08

Security notices

The connectors have been developed for applications in plant engineering, control and electrical equipment construction. The user is responsible for checking whether the connectors can also be used in other areas of application.

To lock the cable connector with the device connector, the threaded ring is tightened "hand-tight" (approx. 50 cNm).