

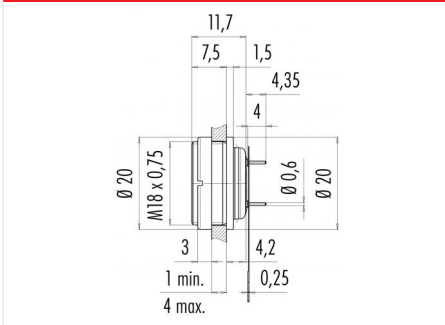
Product description **M16 IP67 female panel mount connector, Contacts: 12, dip-solder, IP67, front mounting**

Area **M16 IP67 series 723**
 Order number **09 0132 65 12**

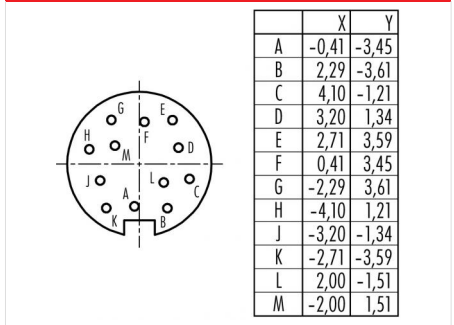
Illustration



Scale drawing



Contact arrangement (Plug-in side)



You can find the assembly instructions on the next page.

Technical data

General features

Order number 09 0132 65 12
 Connector design female panel mount connector
 Version connector female straight
 Connector locking system screw
 Termination dip-solder
 Degree of protection IP67
 Temperature range from/to -40 °C / 95 °C
 Mechanical operation > 500 Mating cycles
 Weight (g) 10.755
 Customs tariff number 85369010

Electrical parameters

Rated voltage 60 V
 Rated impulse voltage 500 V
 Rated current (40 °C) 3 A
 Insulation resistance $\geq 10^{10} \Omega$
 Pollution degree 1
 Overvoltage category I
 Insulating material group III

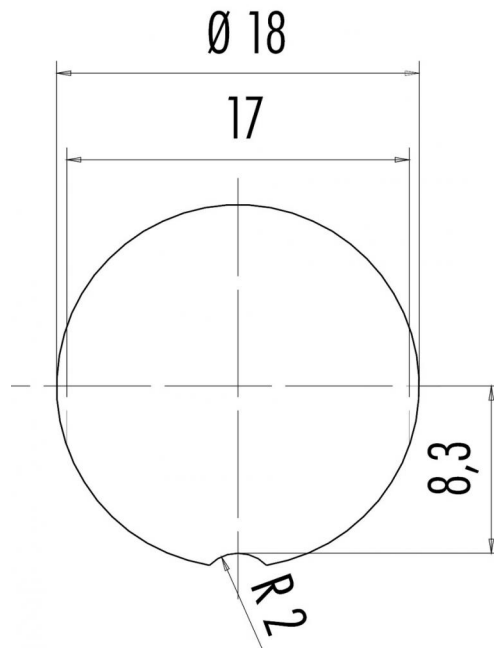
Material

Housing material Zinc die-cast nickel-plated
 Contact body material PBT (UL94 V-0)
 Contact material CuSn (bronze)
 Contact plating Au (gold)
 REACH SVHC CAS 7439-92-1 (Lead)

Product description M16 IP67 female panel mount connector, Contacts: 12, dip-solder, IP67, front mounting

Area M16 IP67 series 723
Order number 09 0132 65 12

Assembly instructions / Panel cut-out



Product description	M16 IP67 female panel mount connector, Contacts: 12, dip-solder, IP67, front mounting
Area	M16 IP67 series 723
Order number	09 0132 65 12

Security notices

The connectors have been developed for applications in plant engineering, control and electrical equipment construction. The user is responsible for checking whether the connectors can also be used in other areas of application.

Plug connectors with enclosure protection IP 67 and IP 68 are not suitable for use under water. When used outdoors, the plug connectors must be protected separately against corrosion. For further information on the IP protection classes, please refer to the "Technical Information" download centre.