

Product data sheet

Miniature connectors

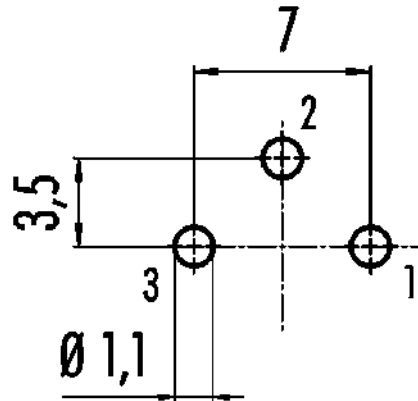


Product description **Male panel mount connector, Contacts: 3 (03-a), unshielded, THT, IP67, UL, front fastened**
 Area **series 723**
 Part no. **09 0107 90 03**

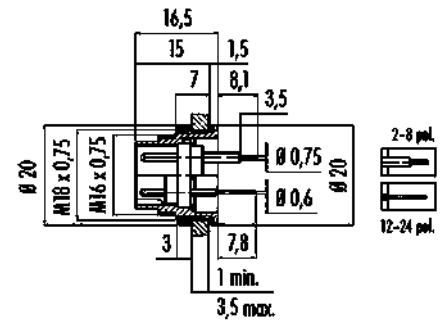
Illustration



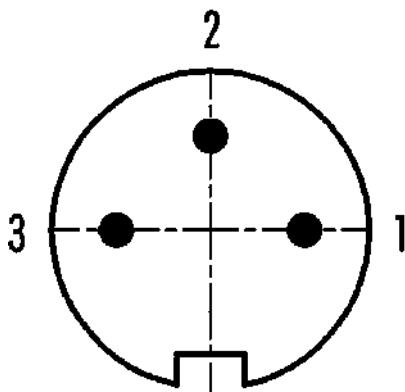
Conductor layout



Scale drawing



Contact arrangement (Plug-in side)



You can find the component part drawing and assembly instructions on the next page.

Technical data

General features

Part no.	09 0107 90 03
Connector design	Male panel mount connector
Version	Connector pin straight
Connector locking system	screw
Termination	THT
Degree of protection	IP67
Temperature range from/to	-40 °C / 95 °C
Mechanical operation	> 500 Mating cycles
Weight (g)	11.77

Product data sheet

Miniature connectors



Product description	Male panel mount connector, Contacts: 3 (03-a), unshielded, THT, IP67, UL, front fastened
-	-
Area	series 723
Part no.	09 0107 90 03

Customs tariff number 85369010

Electrical parameters

Rated voltage	250 V
Rated impulse voltage	1500 V
Rated current (40 °C)	7.0 A
Insulation resistance	$\geq 10^{10} \Omega$
Pollution degree	1
Overvoltage category	I
Insulating material group	III
EMC compliance	unshielded

Material

Housing material	Zinc die-cast nickel-plated
Contact body material	PBT (UL94 V-0)
Contact material	CuZn (brass)
Contact plating	Ag (silver)
REACH SVHC	CAS 7439-92-1 (Lead)
SCIP number	a5ced972-3a2e-4135-a54f-5a430488fa13

Authorization/approvals

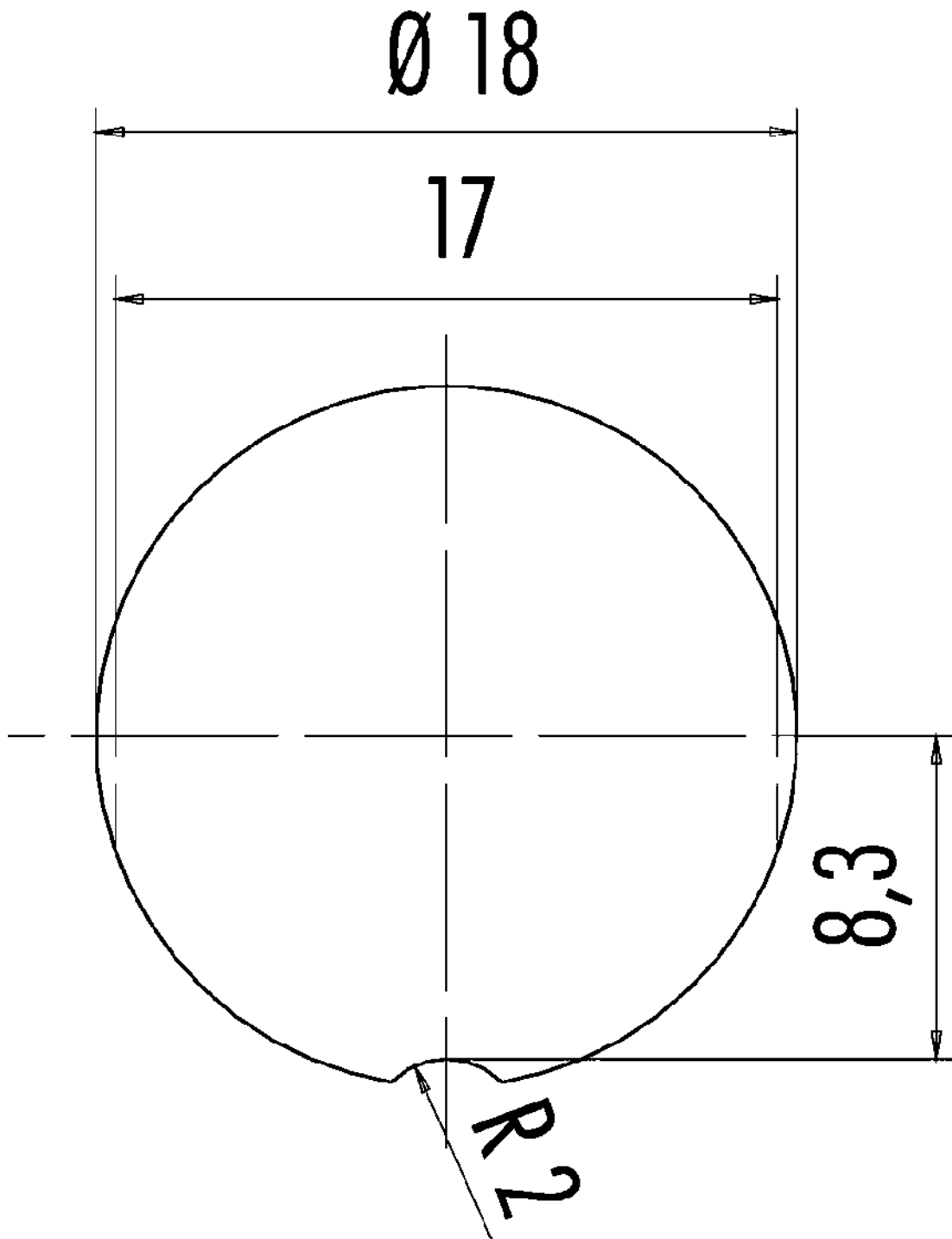
Approvals	UL
-----------	----

Classifications

eCl@ss 11.1	27-44-01-09
ETIM 9.0	EC003569

Product description	Male panel mount connector, Contacts: 3 (03-a), unshielded, THT, IP67, UL, front fastened
Area	series 723
Part no.	09 0107 90 03

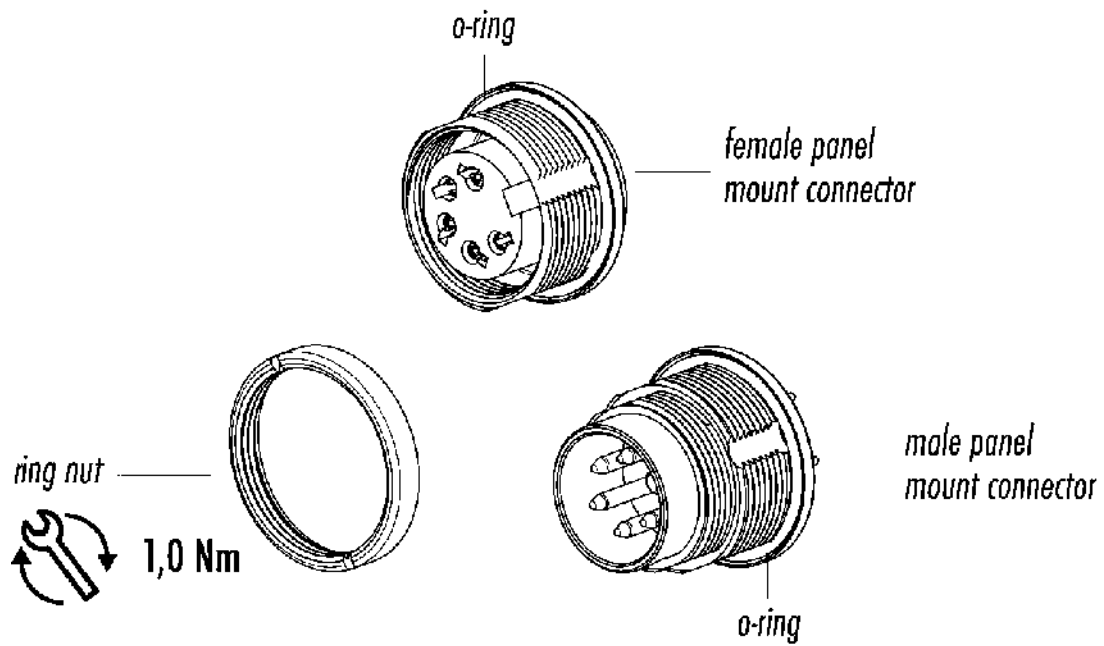
Assembly instructions / Panel cut-out



Product data sheet
Miniature connectors

Product description	Male panel mount connector, Contacts: 3 (03-a), unshielded, THT, IP67, UL, front fastened
Area	series 723
Part no.	09 0107 90 03

Component part drawing



Product description	Male panel mount connector, Contacts: 3 (03-a), unshielded, THT, IP67, UL, front fastened
-	-
Area	series 723
Part no.	09 0107 90 03

Security notices

The connector must not be plugged or unplugged under load. Non-observance and improper use can result in personal injury.

The connectors have been developed for applications in plant engineering, control and electrical equipment construction. The user is responsible for checking whether the connectors can also be used in other areas of application.

Plug connectors with enclosure protection IP67 and IP68 are not suitable for use under water. When used outdoors, the plug connectors must be protected separately against corrosion. For further information on the IP protection classes, please refer to the "Technical Information" download centre.

The plug connector is not suitable for mains voltages Please observe the pollution degree and the overvoltage category. For further information, please refer to the download center "Technical Information".