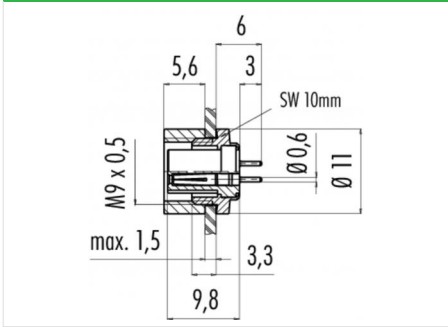


Product description	M9 IP40 female panel mount connector, Contacts: 4, shielding is not possible, dip-solder, IP40
Area	M9 IP40 series 711
Order number	09 0082 20 04

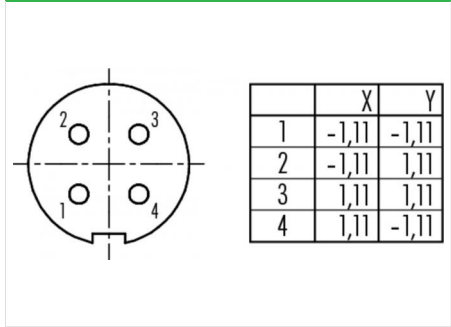
Illustration



Scale drawing



Contact arrangement



You can find the assembly instructions on the next page.

Technical data

General values

Connector design	female panel mount connector
Connector locking system	screw
Termination	dip-solder
Upper limit temperature	85 °C
Lower limit temperature	- 40 °C
Customs tariff number	85369010
Packaging Unit	50

Electrical values

Rated current (40 °C)	3 A
Rated voltage	125 V
Rated impulse voltage	1500 V
Pollution degree	1
Overvoltage category	II
Insulating material group	III
Insulation resistance	≥ 10 ¹⁰ Ω
EMC compliance	shielding is not possible
Degree of protection	IP40
Mechanical operation	> 500 Mating cycles

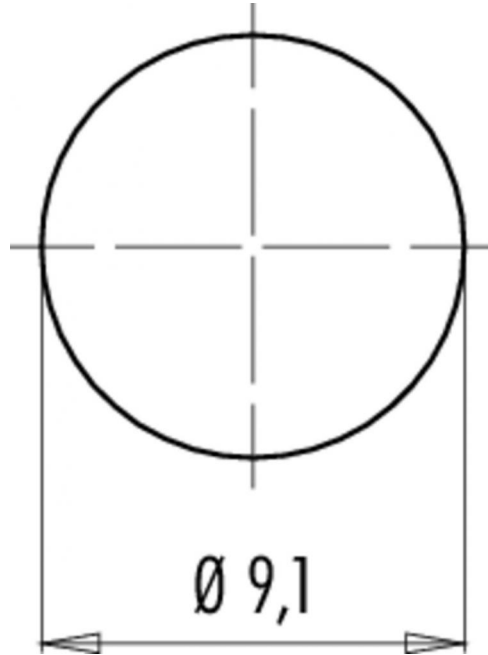
Material

Contact material	CuSn (bronze)
Contact plating	Au (gold)
Contact body material	PA (UL94 V-0)

Product description **M9 IP40 female panel mount connector, Contacts: 4, shielding is not possible, dip-solder, IP40**

Area **M9 IP40 series 711**
Order number **09 0082 20 04**

Assembly instructions / Panel cut-out



Product description	M9 IP40 female panel mount connector, Contacts: 4, shielding is not possible, dip-solder, IP40
Area	M9 IP40 series 711
Order number	09 0082 20 04

Security notices

The connector must not be connected or separated under load. Non-observance and incorrect use can result in personal injury.

The connectors are designed for use in plant, control system and electrical equipment. The end user is responsible for checking whether the connectors are suitable for use in other applications.